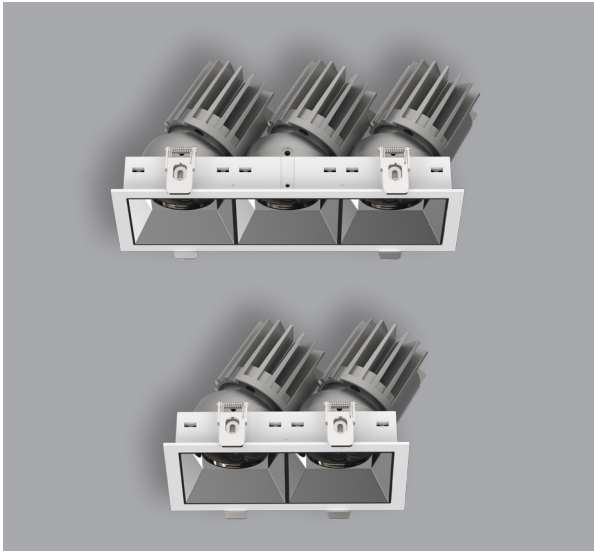


# LUNOR DUO & LUNOR TRIO

## TRIM/TRIMLESS DOWNLIGHT SPECIFICATIONS



### Job Information

Project Name	
Type	
Location	
Quantity	
Date	

## DESCRIPTION

Designed with multiple light engines in a sleek rectangular form, Lunor Duo and Lunor Trio deliver powerful, uniform illumination for a wide range of applications.

Both models provide you with high quality, cost effective LED lighting in practically any space. Its broad compatibility simplifies the specification process and makes installing or replacing the light and accessories fast and tool-free.

90+ CRI option, produces outstanding illumination at a tight chromaticity specification and color binning process to ensure CRI and CCT consistency. It is best-in-class quality down-lighting for retrofit or new construction applications. With industry-leading performance, it can provide a solution for any project - commercial, corporate, or residential installations. Whatever your needs, there's a perfect match for your project.

## OVERVIEW

- Quality - Powered by Osram high efficiency COB LED chip
- Flexibility - Split design of led light engine, lens, trim and driver, seamless integration
- Compatibility – Optional flicker-free TRIAC/120V or 1-10V/100-277V
- True color - 90+ CRI, produces outstanding illumination
- Adjustable beam
- Non IC

## PERFORMANCE

MODEL NAME	LUNOR DUO/ LUNOR TRIO
POWER CONSUMPTION(±10%)	9W/12W (Per Light Head)
INPUT VOLTAGE	120VAC/100-277VAC
EFFICACY	105Lm/W
DIMMING	TRIAC/0-10V
CCT	2700/3000/3500/4000K
CRI	80/90
UGR LEVEL	<19
MOUNTING OPTION	Trim/Trimless Recessed
FINISH	Powder Coating
FIXTURE COLOR	Black/ White
TRIM COLOR	Black/ White
OPTICS ACCESSORY OPTION	Honeycomb/Lens
IP RATING	IP20
APPLICATIONS	Indoors
OPERATION TEMPERATURE	-20°C TO +40°C (-4°F TO +104°F)
CERTIFICATIONS	cETL Listed
WARRANTY	5 Years

# LUNOR DUO & LUNOR TRIO

## TRIM/TRIMLESS DOWNLIGHT SPECIFICATIONS



## SPECIFICATIONS

### ■ OPTICS

High-performance multi-head downlights delivering strong lumen output while maintaining a compact 3" form factor. Designed to provide ample illumination without compromising on petite, clean aesthetics-ideal for applications requiring both power and minimal visual impact.

### ■ ELECTRICAL

Voltage: 120VAC / 100-277VAC

### ■ ENVIRONMENT & CERTIFICATIONS

cETL listed for dry locations

### ■ WARRANTY

5 years limited warranty

### ■ MOUNTING

Installed easily and securely in the ceiling, using two screw fixing mechanisms. Applying to 1/2"-1" ( 12-25mm ) thickness ceiling and to 1/32"-1/2" ( 1-12mm ) thickness ceiling with a fallen clip.

### ■ FINISH

The powder-coated finish ensures a uniform appearance, offering long-term durability and superior aesthetics.

### ■ HOUSING MATERIAL

Die-cast aluminum housing ensures durability and efficiency, with heat resistance polycarbonate lens.

### ■ LED SYSTEM

**CRI** With a choice of 80 or 90 color rendering index (CRI), this product delivers outstanding illumination, featuring tight chromatically specifications and a precise color binning process to ensure consistency in CRI and CCT.

**CCT** Available in 2700K, 3000K, 3500K, 4000K with excellent color consistency.

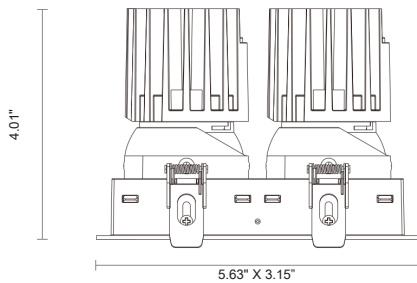
# LUNOR DUO & LUNOR TRIO

## TRIM/TRIMLESS DOWNLIGHT SPECIFICATIONS

### PRODUCT MODELS & DIMENSIONS

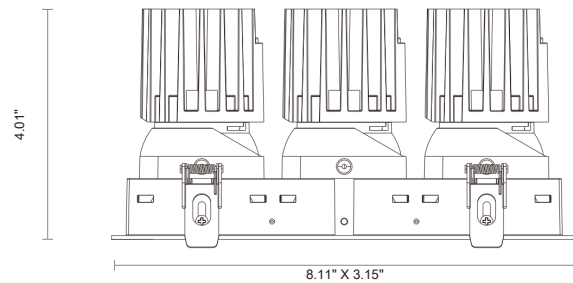
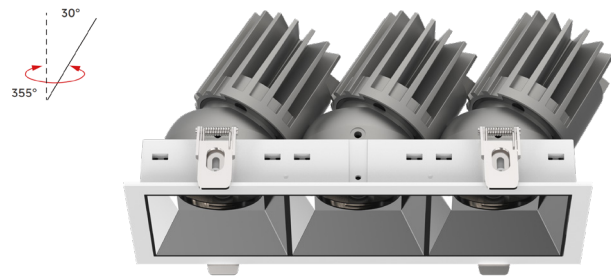
#### ADJUSTABLE VERSION

SIZE: 3"



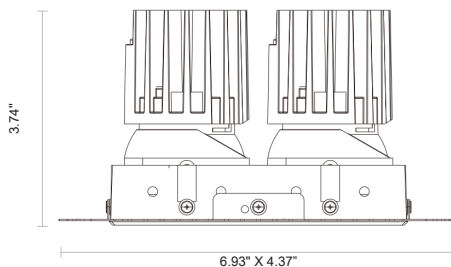
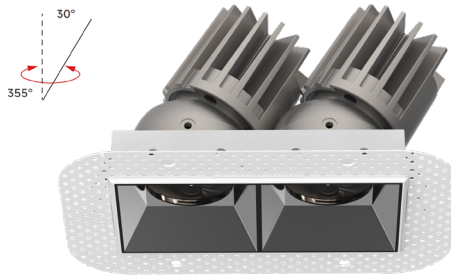
Cut: 5.28" X 2.76"

18W/24W



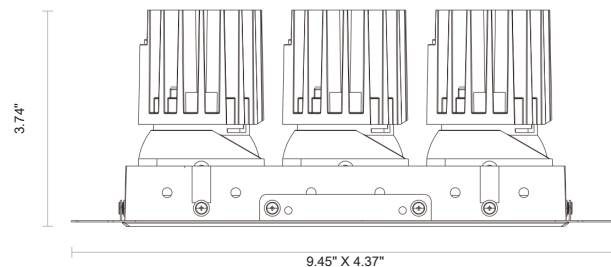
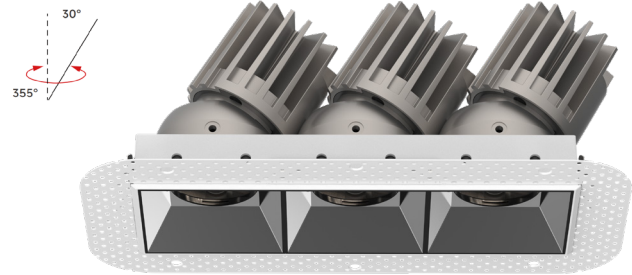
Cut: 7.68" X 2.76"

27W/36W



Cut: 5.28" X 2.76"

18W/24W



Cut: 7.68" X 2.76"

27W/36W

# LUNOR DUO & LUNOR TRIO

## TRIM/TRIMLESS DOWNLIGHT SPECIFICATIONS

### PRODUCT ORDERING GUIDE

EXAMPLE: LUNORDUO-TL-12-30-36-120-L-90-V-B-BK-NIR

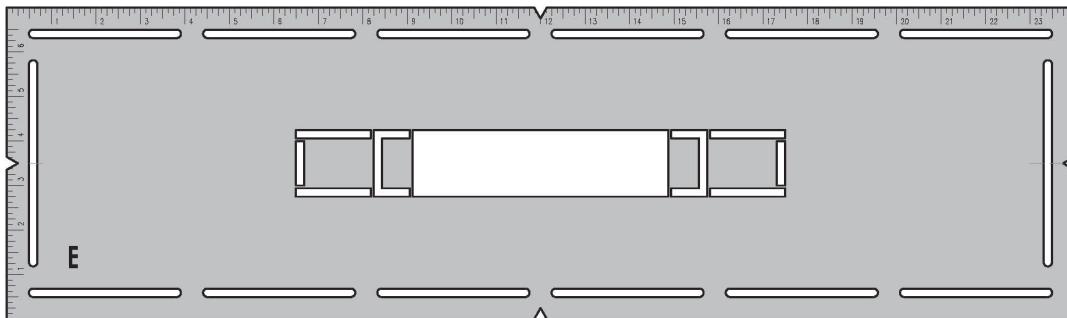
LUNORDUO	-TL	-12	-30	-36	-120	-L	-90	-V	-B	-BK	-NIR
Series	Trim Style	Wattage	CCT	Beam Angle	Voltage	Optics	CRI	Dimming	Reflector Finish	Trim Finish	Options

SERIES	TRIM STYLE	WATTAGE <sup>①</sup>	CCT	BEAM ANGLE	VOLTAGE	OPTICS	CRI	DIMMING	REFLECTOR FINISH	TRIM FINISH	OPTIONS
LUNORDUO	T: Trim	9W, 950Lm	27: 2700K 30: 3000K 35: 3500K 40: 4000K	24: 24° 36: 36° 55: 55°	120: 120 VAC	L: Lens	80	T: TRIAC	SB: Chrome Black	WH: White	NIR: Non-IC Rough in Plate
	TL: Trimless	12W, 1250Lm			UNV: 110-277 VAC	H: Honeycomb	90	V: 0-10V N: None	M: Matt W: White B: Black	BK: Black	EB: Emergency Battery
LUNORTRIO	T: Trim	9W, 950Lm	27: 2700K 30: 3000K 35: 3500K 40: 4000K	24: 24° 36: 36° 55: 55°	120: 120 VAC	L: Lens	80	T: TRIAC	SB: Chrome Black	WH: White	NIR: Non-IC Rough in Plate
	TL: Trimless	12W, 1250Lm			UNV: 110-277 VAC	H: Honeycomb	90	V: 0-10V N: None	M: Matt W: White B: Black	BK: Black	EB: Emergency Battery

① Not: Wattage is per light head.

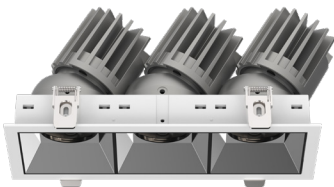
## INSTALLATION ACCESSORIES

### Rough in Plate



## FEATURES

### Remodel (RM)



For new or existing ceiling. Suitable for non-insulated ceiling like sheetrock or paneling.

Ceiling thickness: 1/25" to 1" (1mm - 25mm)

### Elegant

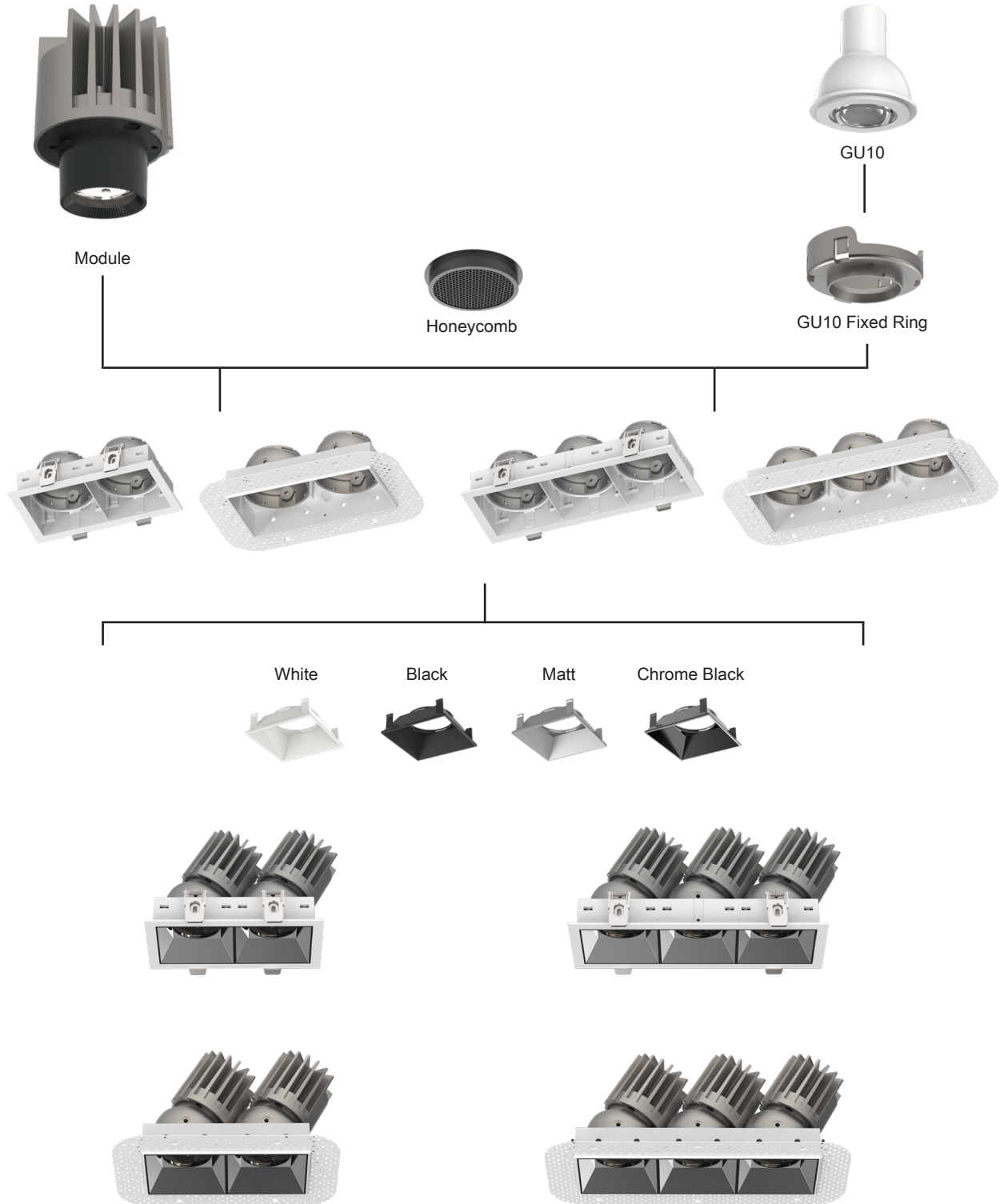


Ultra-narrow trim design leaves no flange between the secondary reflector and trim, meeting neat ceiling requirement.

# LUNOR DUO & LUNOR TRIO

## TRIM/TRIMLESS DOWNLIGHT SPECIFICATIONS

### ASSEMBLY DRAWING



# LUNOR DUO & LUNOR TRIO

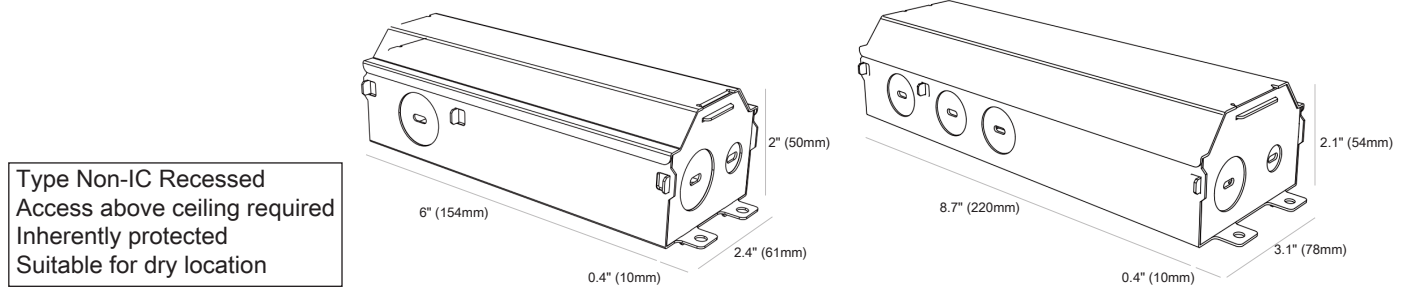
## TRIM/TRIMLESS DOWNLIGHT SPECIFICATIONS

### LED DOWNLIGHT DRIVER

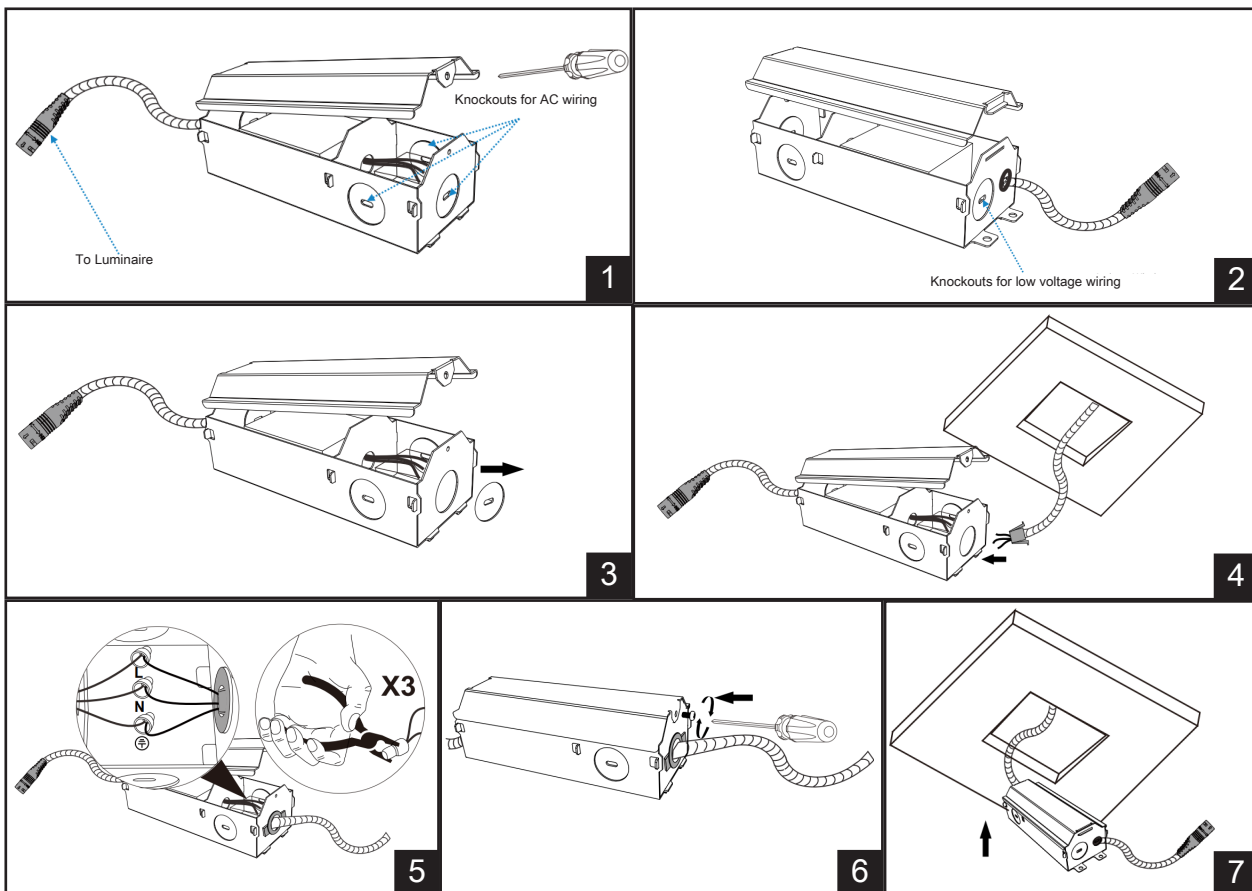
Installation Instructions-Type Non-IC

### IMPORTANT SAFETY INSTRUCTIONS

Read And Follow All Safety Instructions:



- Turn off electrical power before modifying the lighting system in any way.
- Do not install while power leads are energized.
- Install per national installation and accidental prevention regulations.
- The side clearance between the edge of the metal box and parts of the building must be at least 50mm.
- Do not conceal or extend exposed conductors through a building wall.
- Do not install the system in wet locations.
- To reduce the risk of fire and burns, do not install this lighting system where the exposed bare conductors can be shorted or contact any conductive materials.
- To reduce the risk of fire and overheating, make sure all connections are tight.
- Do not install any luminaire closer than 6 inch (152 mm) from any curtain , or similar combustible materials.



# LUNOR DUO & LUNOR TRIO

## TRIM/TRIMLESS DOWNLIGHT SPECIFICATIONS

### INSTALLATION MANUAL FOR TRIM VERSION

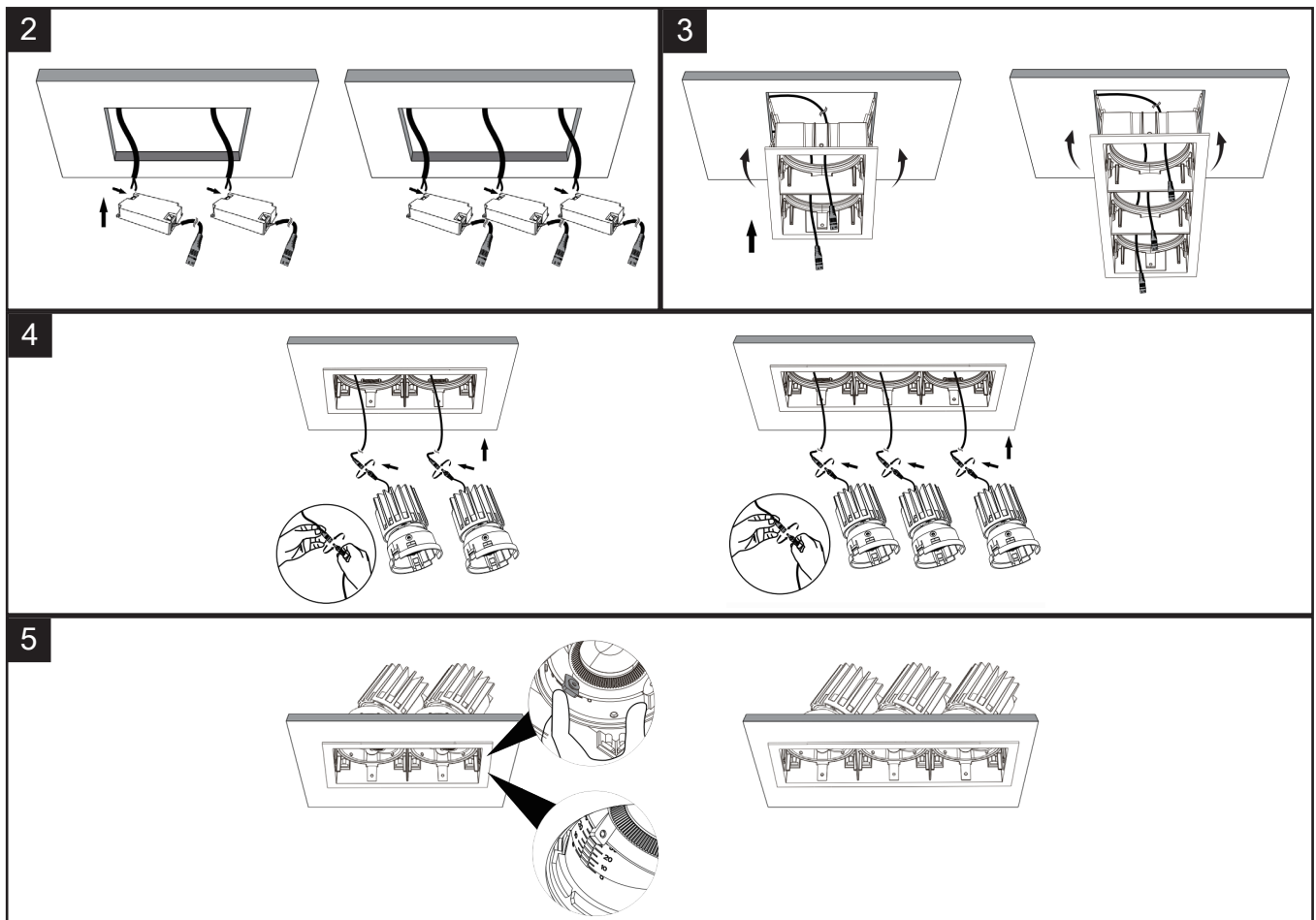
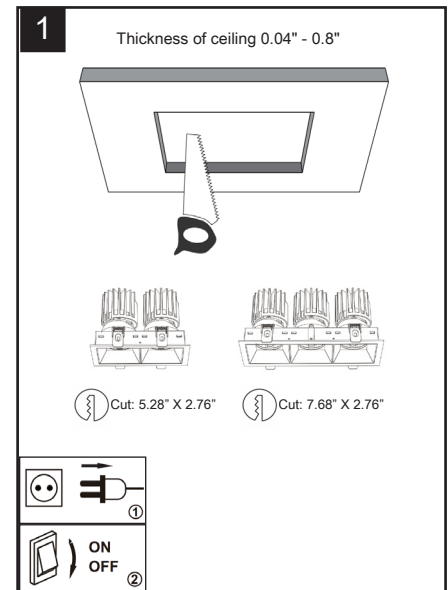
Please read these instructions carefully before commencing installation and retain for future reference. If in doubt, we advise that you consult a qualified electrician to install the product. These products must not be modified. If any modification is made it may invalidate the warranty and may render the product unsafe. All electrical installations must be carried out according to national electrical code & local regulations.

#### Important Safety Notes

1. Switch off the electricity at the mains before commencing installation or lamp change and (if a fuse box is used) remove the appropriate circuit fuse to avoid accidental switching on of the mains supply.
2. Connect to a 120-277V supply in accordance with relevant electrical standards.
3. Make sure all connections are tight with no loose strands.
4. Ensure fire regulations are not breached when fitting your lights.
5. If you are in any doubt regarding these instructions, consult a qualified electrician.

#### Warning:

1. For indoor use only
2. Please carefully choose a location for disposal of the flammable package.
3. Do not use defected cable.
4. We do recommend that a qualified electrician should be used to install the products.
5. Do not look at the lighted lamp directly.



# LUNOR DUO & LUNOR TRIO

## TRIM/TRIMLESS DOWNLIGHT SPECIFICATIONS

### INSTALLATION MANUAL

**6**

**7**

LUNOR DUO (Trim) ≥ 5.51"

LUNOR TRIO (Trim) ≥ 5.51"

# LUNOR DUO & LUNOR TRIO

## TRIM/TRIMLESS DOWNLIGHT SPECIFICATIONS

### INSTALLATION MANUAL FOR TRIMLESS VERSION

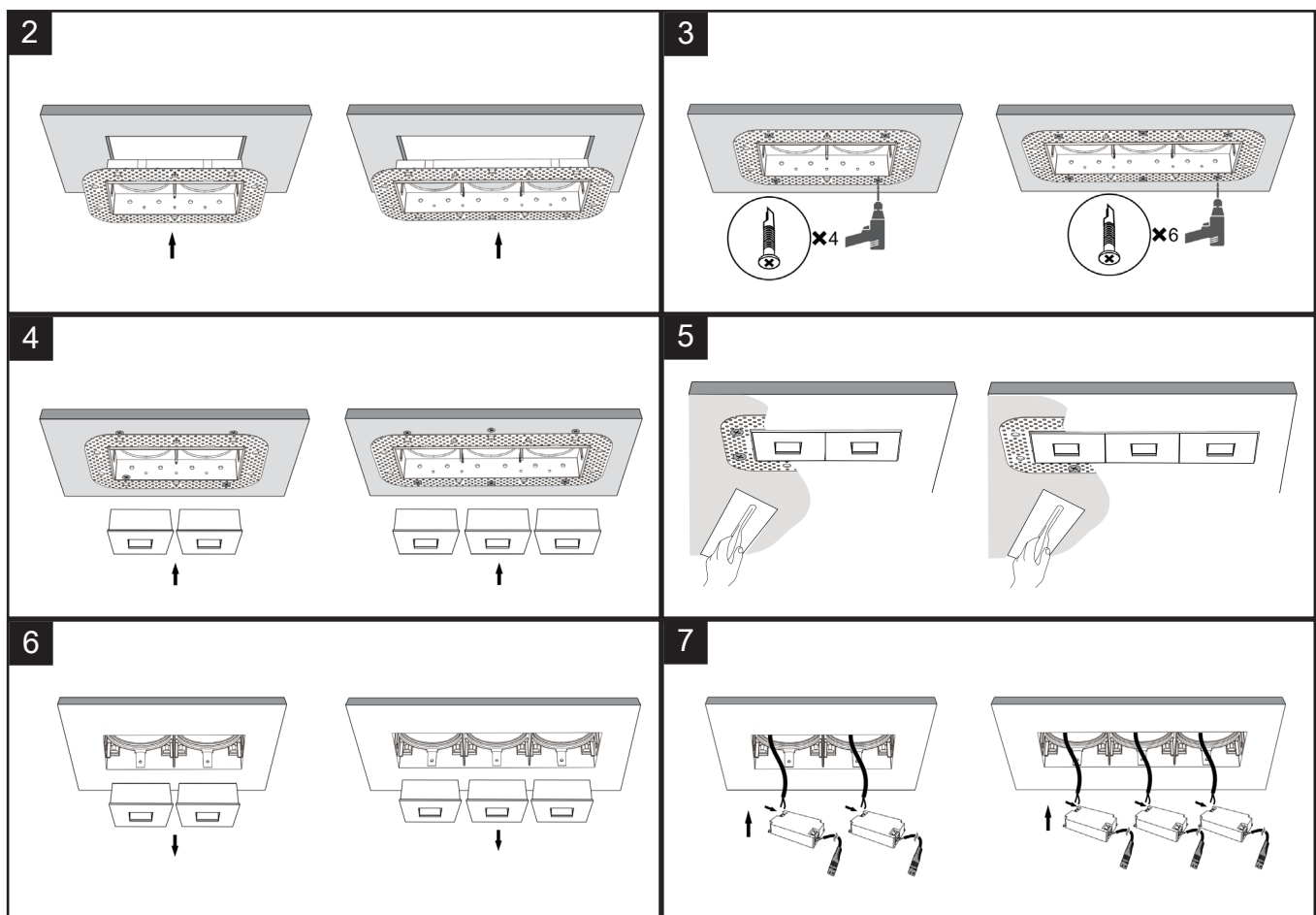
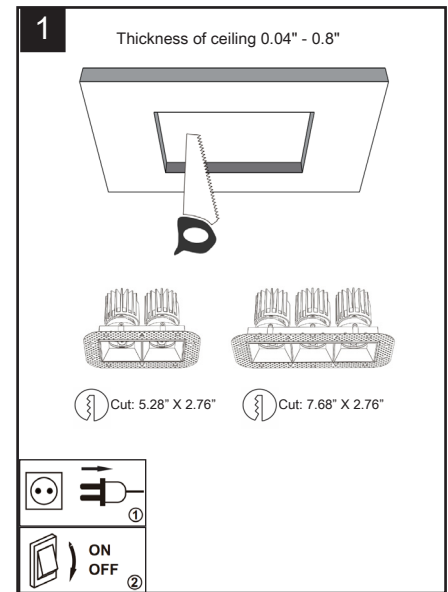
Please read these instructions carefully before commencing installation and retain for future reference. If in doubt, we advise that you consult a qualified electrician to install the product. These products must not be modified. If any modification is made it may invalidate the warranty and may render the product unsafe. All electrical installations must be carried out according to national electrical code & local regulations.

#### Important Safety Notes

1. Switch off the electricity at the mains before commencing installation or lamp change and (if a fuse box is used) remove the appropriate circuit fuse to avoid accidental switching on of the mains supply.
2. Connect to a 120-277V supply in accordance with relevant electrical standards.
3. Make sure all connections are tight with no loose strands.
4. Ensure fire regulations are not breached when fitting your lights.
5. If you are in any doubt regarding these instructions, consult a qualified electrician.

#### Warning:

1. For indoor use only
2. Please carefully choose a location for disposal of the flammable package.
3. Do not use defected cable.
4. We do recommend that a qualified electrician should be used to install the products.
5. Do not look at the lighted lamp directly.



# LUNOR DUO & LUNOR TRIO

## TRIM/TRIMLESS DOWNLIGHT SPECIFICATIONS

### INSTALLATION MANUAL

8

9

10

11

≥13.78"

LUNOR DUO (Trimless) ≥5.51"

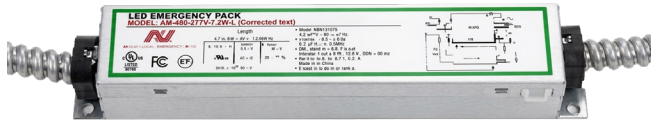
≥17.72"

LUNOR TRIO (Trimless) ≥5.51"

# LUNOR DUO & LUNOR TRIO

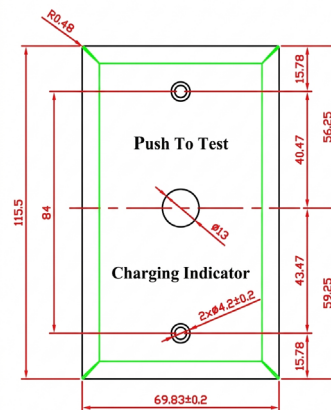
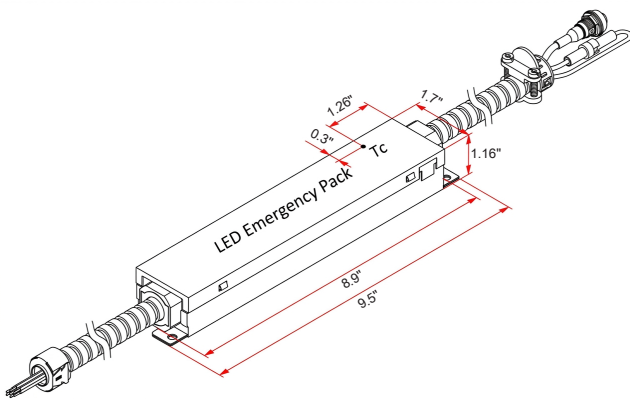
## TRIM/TRIMLESS DOWNLIGHT SPECIFICATIONS

### Emergency Battery

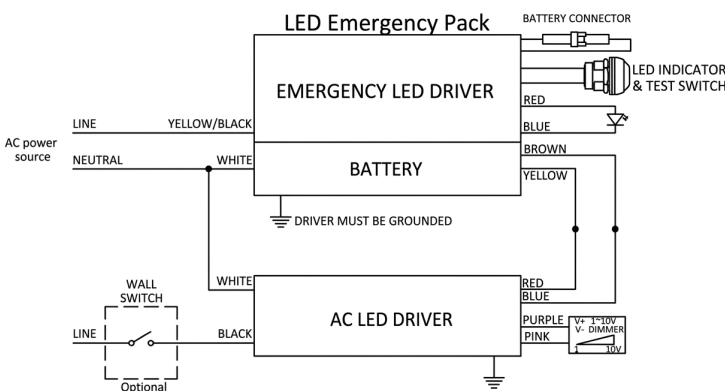


OUTPUT MODE	Constant Current
INPUT VOLTAGE	120-347 VAC
INPUT FREQUENCY	50/60 Hz
DIMMING	N/A
SURGE RATING	3KV
WARRANTY	5 Years TC $\leq$ 60°C 3 Years TC $\leq$ 66°C

### Dimension



### Wire Diagram



Maximum Wiring Distance (at full load) is 18AWG/18Feet

Lead Length	Inch	Cm
White	30.7	78
Yellow/Black	30.7	78
Red	30.7	78
Blue	30.7	78
Yellow	30.7	78
Brown	30.7	78
Battery Connector	33.07	84
Test Switch	25	63.5
LED Indicator	6	15.24

# LUNOR DUO & LUNOR TRIO

## TRIM/TRIMLESS DOWNLIGHT SPECIFICATIONS

### Emergency Battery

#### Input Specifications

PARAMETER	MIN.	TYP.	MAX.	NOTES
Input Voltage	108V	120/347V	382V	
Input Current	-	-	0.037A	@120Vac input with full load
Input Frequency	47Hz	60Hz	63Hz	
Leakage Current	-	-	0.7mA	@347Vac input
Turn On Time	-	-	1.0s	@120Vac input at full load
Hold Up Time	-	-	0.1s	@Nominal input and full load
Efficiency	83%	85%	87%	@55Vdc output at full load
Standby Power	-	-	2.95W	

#### Output Specifications

PARAMETER	MIN.	TYP.	MAX.	NOTES
Output Voltage	15V	-	55V	
Output Current	-	190mA	-	@55Vdc-@15Vdc
Battery Charge Current	-	185mA	-	LiFePO4, 6.4V, 3300mAh
Battery Voltage	-	6.4V	-	
Battery Charge Time	-	-	24Hrs	
Emergency Operation	90min	-	-	
No-Load Output Voltage	56V	58V	60V	
Rated Current	171mA	181mA	190mA	
Rated Power	-	10W	-	
Output Current Ripple	-	±10%	-	

#### General Specifications

PARAMETER	MIN.	TYP.	MAX.	NOTES
MTBF	-	100,000 Hours	-	@25°C ambient temperature
Lifespan Time	75,000 Hours	-	-	In the range of specification required by normal use of the power supply at ambient temperature 55°C
Cold Start	-	-	2.0s	@0°C

# LUNOR DUO & LUNOR TRIO

## TRIM/TRIMLESS DOWNLIGHT SPECIFICATIONS



### FINISHING COLOR

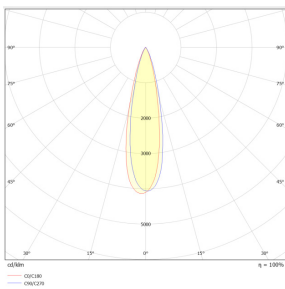


Black

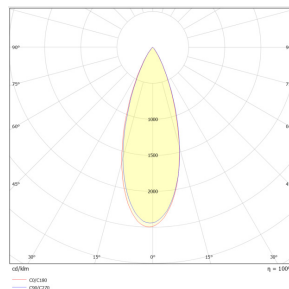


White

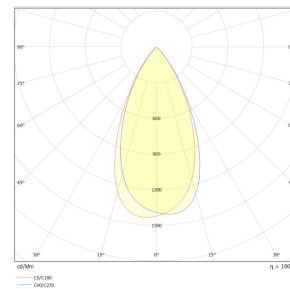
### Light Distributions



24° Beam angle



36° Beam angle



55° Beam angle