

# HARBOR BULKHEAD SERIES

## WALL/CEILING MOUNT SPECIFICATIONS



### Job Information

Project Name	
Type	
Location	
Quantity	
Date	

## DESCRIPTION

HARBOR BULKHEAD SERIES is a durable, architectural wall/ceiling luminaire family designed for versatile indoor and outdoor applications. It's available in multiple sizes and wattages, offered in round or oval housings to match different mounting conditions and design preferences.

Choose from Full Moon (full diffuser), Half Moon (shielded/step-light effect), or Guarded versions for added impact protection and a classic bulkhead look. With a clean, low-profile form and robust construction, HARBOR is ideal for corridors, stairwells, entrances, utility areas, parking structures, and exterior perimeters where reliable, uniform illumination is required.

## OVERVIEW

- IP65 wet location
- Wall / ceiling mount
- 80+ color rendering index (CRI)
- Flickering free
- Connection: Linkable

## PERFORMANCE

MODEL NAME	HARBOR BULKHEAD
POWER CONSUMPTION(±10%)	8W-60W (Size-dependent)
INPUT VOLTAGE	110 - 277 / 120 - 347 VAC
EFFICACY(4000K RA80)	100-150 Lm/W (Size-dependent)
POWER FACTOR	>0.90
DIMMING	+ 0 - 10V / TRIAC / DALI
SENSOR	Microwave Sensor/ Daylight Sensor
EMERGENCY	3W/5W ; 1.5H/3H (Size-dependent)
CCT	3000/4000/5000/6000K (Single CCT)
CRI	80+
BEAM ANGLE	120°
MOUNTING OPTION	Wall/Ceiling (Surface Mounted)
SHAPE	Round/Oval
OPTICS OPTIONS	SMD
FINISH	Powder Coating Smooth
FIXTURE COLOR	Black/ White
IP RATING	IP65
IK RATING	IK08
APPLICATIONS	Wet Locations
OPERATION TEMPERATURE	-20°C TO 55°C(-4°F TO 131°F)
CERTIFICATIONS	cETL Listed
WARRANTY	5 Years
LIFE TIME OF LED @TA=25°C	+50000 HRS

# HARBOR BULKHEAD SERIES

## WALL/CEILING MOUNT SPECIFICATIONS



## SPECIFICATIONS

### ■ OPTICS

The optical design features 2835 SMD LEDs combined with a polycarbonate diffuser to achieve smooth, uniform light output across a 120° beam angle.

### ■ ELECTRICAL

Voltage 110 - 277 / 120 - 347 VAC

### ■ ENVIRONMENT & CERTIFICATIONS

cETL listed for wet locations

### ■ WARRANTY

5 years limited warranty

### ■ MOUNTING

Wall/Ceiling (Surface Mounted)

### ■ FINISH

The powder-coated finish ensures a uniform appearance, offering long-term durability and superior aesthetics.

### ■ HOUSING MATERIAL

Aluminum housing ensures durability and efficient heat dissipation, combined with a high-impact polycarbonate diffuser.

### ■ LED SYSTEM

CRI With a 80+ color rendering index (CRI), this product delivers outstanding illumination.

CCT Available in 3000K, 4000K, 5000K, 6000K with excellent color consistency.

Thermal Management The aluminum housing serves as an efficient heat sink to maximize lifespan.

# HARBOR BULKHEAD SERIES

## WALL/CEILING MOUNT SPECIFICATIONS

### PRODUCT MODELS

PRODUCT CODE	WATTAGE	OPTICAL	DISTRIBUTION	CCT	VOLTAGE	CRI	SHAPE	DIFFUSER & GUARD TYPE	DIMENTION	EFFICACY
HARB-220-RD	8W 10W 12W 15W	2835SMD	120°	3000K 4000K 5000K 6000K	110 - 277 / 120 - 347 VAC	>80	ROUND	Full Moon	Ø8.66" X 2.76"	100-120Lm/W
								Half Moon Cross Type Hashtag Type Grille Type	Ø8.66" X 2.95"	100-110Lm/W
HARB-275-RD	15W 18W 20W 22W 24W 30W 32W 36W	2835SMD	120°	3000K 4000K 5000K 6000K	110 - 277 / 120 - 347 VAC	>80	ROUND	Full Moon	Ø10.83" X 3.15"	100-130Lm/W
								Half Moon Cross Type Hashtag Type Grille Type Triple Bar Type	Ø10.83" X 3.35"	100-110Lm/W
HARB-350-RD	18W 20W 22W 24W 30W 32W 36W 40W	2835SMD	120°	3000K 4000K 5000K 6000K	110 - 277 / 120 - 347 VAC	>80	ROUND	Full Moon	Ø13.78" X 4.33"	120-140Lm/W
								Half Moon Grille Type	Ø13.78" X 4.53"	100-120Lm/W
HARB-420-RD	40W 48W 60W	2835SMD	120°	3000K 4000K 5000K 6000K	110 - 277 / 120 - 347 VAC	>80	ROUND	Full Moon	Ø16.53" X 3.94"	120-140Lm/W
								Half Moon	Ø16.53" X 4.13"	100-120Lm/W
HARB-220-OV	8W 10W 12W 15W	2835SMD	120°	3000K 4000K 5000K 6000K	110 - 277 / 120 - 347 VAC	>80	OVAL	Full Moon	8.66" X 5.32" X 2.36"	100-120Lm/W
								Half Moon Cross Type Grille Type	8.66" X 5.32" X 2.56"	100-110Lm/W
HARB-280-OV	15W 18W 20W 22W 24W 30W 32W 36W	2835SMD	120°	3000K 4000K 5000K 6000K	110 - 277 / 120 - 347 VAC	>80	OVAL	Full Moon	11.02" X 7.28" X 3.15"	100-120Lm/W
								Half Moon Cross Type Grille Type	11.02" X 7.28" X 3.35"	100-110Lm/W



# HARBOR BULKHEAD SERIES

## WALL/CEILING MOUNT SPECIFICATIONS

### PRODUCT MODELS

#### HARB-220-RD



Full Moon



Half Moon



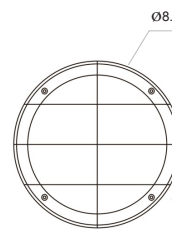
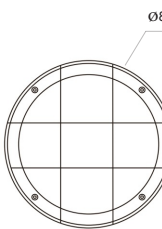
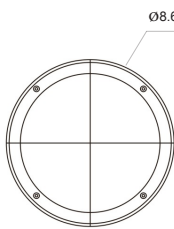
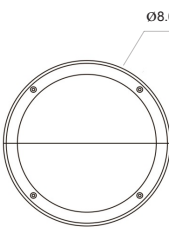
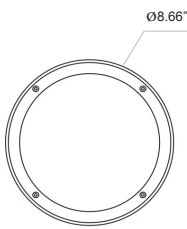
Cross Type



Hashtag Type



Grille Type



#### HARB-275-RD



Full Moon



Half Moon



Cross Type



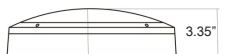
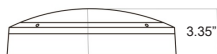
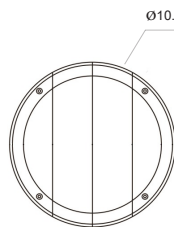
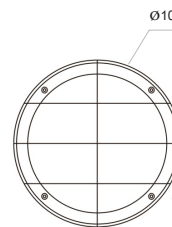
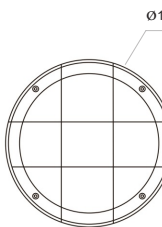
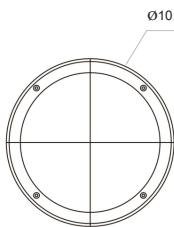
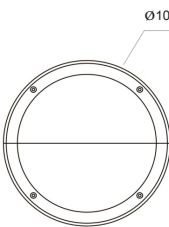
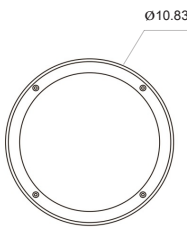
Hashtag Type



Grille Type



Triple Bar Type



# HARBOR BULKHEAD SERIES

## WALL/CEILING MOUNT SPECIFICATIONS

### PRODUCT MODELS

#### HARB-350-RD



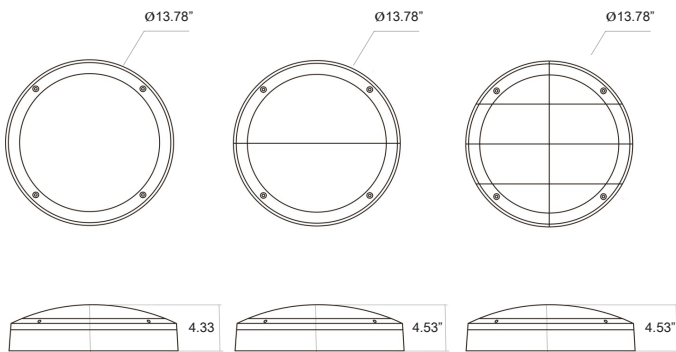
Full Moon



Half Moon



Grille Type



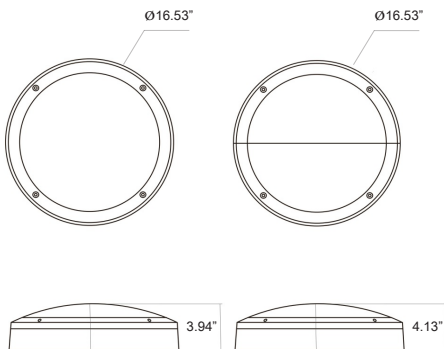
#### HARB-420-RD



Full Moon



Half Moon



# HARBOR BULKHEAD SERIES

## WALL/CEILING MOUNT SPECIFICATIONS

### PRODUCT MODELS

#### HARB-220-OV



Full Moon



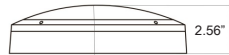
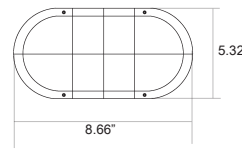
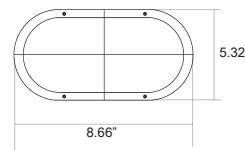
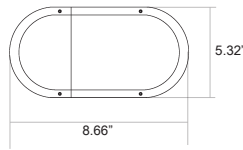
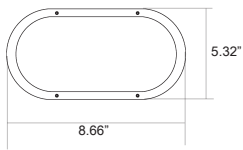
Half Moon



Cross Type



Grille Type



#### HARB-280-OV



Full Moon



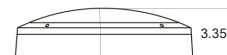
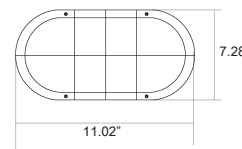
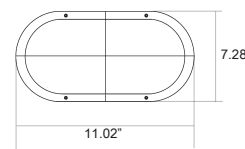
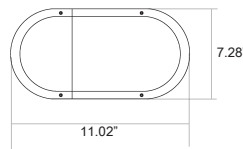
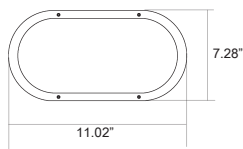
Half Moon



Cross Type



Grille Type



# HARBOR BULKHEAD SERIES

## WALL/CEILING MOUNT SPECIFICATIONS

### PRODUCT ORDERING GUIDE

EXAMPLE: HARB-220-RD-8W-120-D1-MV-EM-3000-BK-FM

<b>HARB-220-RD</b>	<b>-8W</b>	<b>-347</b>	<b>-D1</b>	<b>-MV</b>	<b>-EM3</b>	<b>-3000</b>	<b>-BK</b>	<b>-FM</b>
Product Code	Wattage	Voltage	Dimming	Sensor	Emergency	CCT	Frame Finish	Diffuser & Guard Type

PRODUCT CODE	WATTAGE	VOLTAGE	DIMMING (OPTIONAL)	SENSOR (OPTIONAL)	EMERGENCY (OPTIONAL)	CCT	FRAME FINISH	DIFFUSER & GUARD TYPE
HARB-220-RD	8W 10W 12W 15W	347: 120-347 VAC  UNV: 110-277 VAC	D1 = 0-10V TR = Triac D4 = DALI N = None	MW = Microwave Sensor DL = Daylight Sensor (Photocell) N = None	EM3 = for 3W, 1.5H/3H N = None	3000 4000 5000 6000	BK = Black WH = White	FM = Full Moon HM = Half Moon CT = Cross Type GT = Grille Type HT = Hashtag Type
HARB-275-RD	15W 18W 20W 22W 24W 30W 32W 36W	347: 120-347 VAC  UNV: 110-277 VAC	D1= 0-10V TR= Triac D4 = DALI N = None	MW = Microwave Sensor DL = Daylight Sensor (Photocell) N = None	EM3 = for 3W, 1.5H/3H EM5 = for 5W, 1.5H/3H N = None	3000 4000 5000 6000	BK = Black WH = White	FM = Full Moon HM = Half Moon CT = Cross Type GT = Grille Type HT = Hashtag Type TB = Triple Bar Type
HARB-350-RD	18W 20W 22W 24W 30W 32W 36W 40W	347: 120-347 VAC  UNV: 110-277 VAC	D1= 0-10V TR= Triac D4 = DALI N = None	MW = Microwave Sensor DL = Daylight Sensor (Photocell) N = None	EM3 = for 3W, 1.5H/3H EM5 = for 5W, 1.5H/3H N = None	3000 4000 5000 6000	BK = Black WH = White	FM = Full Moon HM = Half Moon GT = Grille Type
HARB-420-RD	40W 48W 60W	347: 120-347 VAC  UNV: 110-277 VAC	D1= 0-10V TR= Triac D4 = DALI N = None	MW = Microwave Sensor DL = Daylight Sensor (Photocell) N = None	EM3 = for 3W, 1.5H/3H EM5 = for 5W, 1.5H/3H N = None	3000 4000 5000 6000	BK = Black WH = White	FM = Full Moon HM = Half Moon
HARB-220-OV	8W 10W 12W 15W	347: 120-347 VAC  UNV: 110-277 VAC	D1= 0-10V TR= Triac D4 = DALI N = None	MW = Microwave Sensor DL = Daylight Sensor (Photocell) N = None	EM3 = for 3W, 1.5H/3H N = None	3000 4000 5000 6000	BK = Black WH = White	FM = Full Moon HM = Half Moon CT = Cross Type GT = Grille Type
HARB-280-OV	15W 18W 20W 22W 24W 30W 32W 36W	347: 120-347 VAC  UNV: 110-277 VAC	D1= 0-10V TR= Triac D4 = DALI N = None	MW = Microwave Sensor DL = Daylight Sensor (Photocell) N = None	EM3 = for 3W, 1.5H/3H N = None	3000 4000 5000 6000	BK = Black WH = White	FM = Full Moon HM = Half Moon CT = Cross Type GT = Grille Type

# HARBOR BULKHEAD SERIES

## WALL/CEILING MOUNT SPECIFICATIONS



### FINISHING COLOR



Black

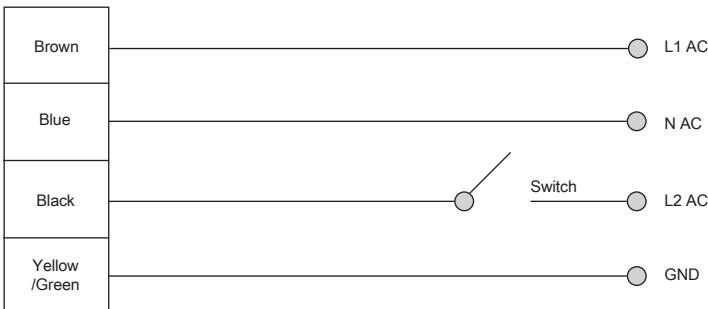


White

### EMERGENCY CONNECTION

#### LED Emergency Ceiling Light Cable Connection Introduction

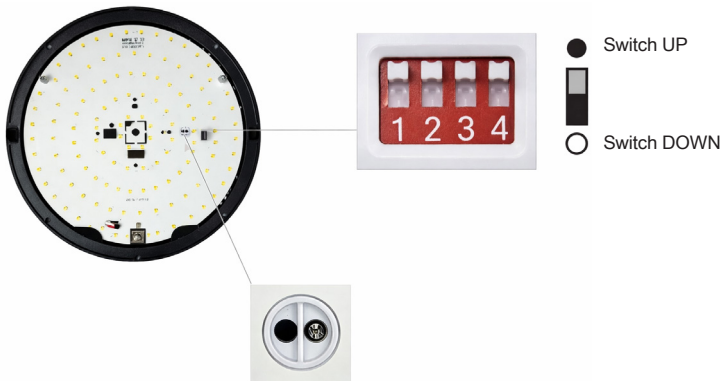
LED Ceiling Light Connection for Emergency Battery Kits



# HARBOR BULKHEAD SERIES

## WALL/CEILING MOUNT SPECIFICATIONS

### PHOTOCELL FUNCTION



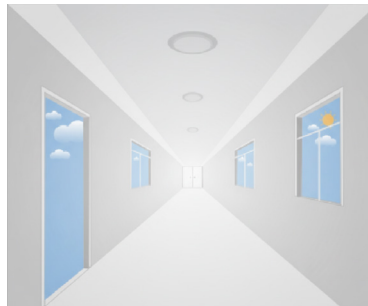
1	2	3	4	On	Off
●	●	●	●	5Lux	25Lux
●	●	●	○	10Lux	50Lux
●	●	○	●	25Lux	75Lux
●	●	○	○	50Lux	100Lux
●	○	●	○	100Lux	200Lux
●	○	○	○	150Lux	300Lux
○	●	○	○	200Lux	400Lux
○	○	○	○	Disable	

By adjusting DIP switches up and down, customer can get the solutions for different applications. When ambient brightness is higher than preset lux level, light will automatically turn off; when is lower, light will turn on 100%.

#### Application -- Lux On/Off

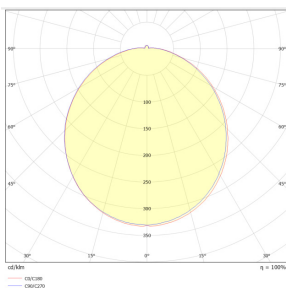


When ambient brightness is higher than preset lux level, light will automatically turn off.



When ambient brightness is lower than preset lux level, light will turn on 100%.

### Light Distributions

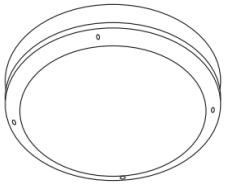






120° Beam angle

# HARBOR BULKHEAD SERIES

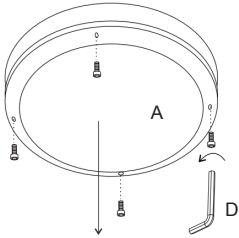
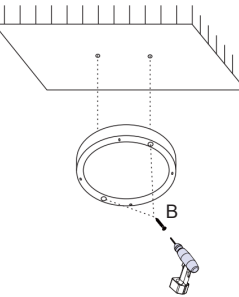
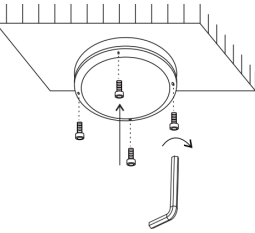
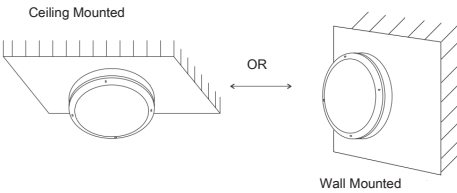
## WALL/CEILING MOUNT SPECIFICATIONS

### INSTALLATION

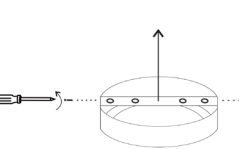
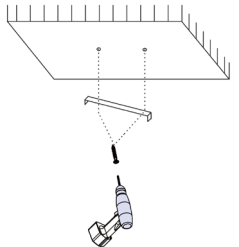
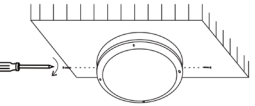
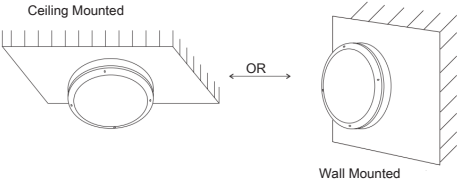


Component list:		
A  1X	B  2X	C  1X
D  1X		

#### Installation by opening the shell

<p><b>Step 1:</b> Open the cover</p> 	<p><b>Step 2:</b> Connect the AC power. Then install lamp body with 2pcs screws.</p> 	<p><b>Step 3:</b> Cover the lamp back with screws.</p> 	<p><b>Step 4:</b> Finish the installation.</p> 
---	---	---	--

#### Installation by fixing the bracket

<p><b>Step 1:</b> Take off the bracket from lamp.</p> 	<p><b>Step 2:</b> Install the bracket on the ceiling or wall.</p> 	<p><b>Step 3:</b> Connect the AC power. Then install the lamp on the bracket.</p> 	<p><b>Step 4:</b> Finish the installation.</p> 
---	---	---	---

#### NOTES:

- Take out the ceiling mounted clips from cartons;
- Fix the ceiling mounted clips on the ceiling;
- Fix the safety steel cable on the mounted clips;
- Install the ceiling lamps on the ceiling with tools;
- Following the steps in the manual;
- Please keep the professional electrician to install or repair the lamps.