



Job Information	
Project Name	
Type	
Location	
Quantity	
Date	

DESCRIPTION

Thanks to a unique glare free design, it provides you with high quality, cost effective LED lighting in practically any space. Its broad compatibility simplifies the specification process and makes installing or replacing the light and accessories fast and tool-free. 90+ CRI option, produces outstanding illumination at a tight chromaticity specification and color binning process to ensure CRI and CCT consistency. It is best-in-class quality down-lighting for retrofit or new construction applications. With industry-leading performance, it can provide a solution for any project - commercial, corporate, or residential installations. Whatever your needs, there's a perfect match for your project.

OVERVIEW

- Quality - Powered by Osram high efficiency COB LED chip
- Flexibility - Split design of led light engine, lens, trim and driver, seamless integration
- Compatibility – Optional flicker-free TRIAC/120V or 1-10V/100-277V true color - 90+ CRI, produces outstanding illumination

PERFORMANCE

MODEL NAME	PRIME
POWER CONSUMPTION(±10%)	VARIABLES BASED ON SIZE
INPUT VOLTAGE	100/277VAC
EFFICACY(4000K RA80)	85 LM/W
DIMMING	TRIAC/0-10V/DALI
CCT	3CCT/2700/5000
CRI	90, UP TO 95 FOR <30W
BEAM ANGLE	15°/24°/36°/60°
UGR LEVEL	<13
MOUNTING OPTIONS	TRIM/TRIMLESS RECESSED
FINISH	POWDER COATING
FIXTURE COLOR	BLACK/WHITE
REFLECTOR COLOR	BLACK/WHITE/CHROME
OPTICS ACCESSORY OPTION	HONEYCOMB/OPAL
IP RATING	IP20
OPERATING TEMPERATURE	-30°C TO + 50°C(-22°F TO 122°F)
LIFE TIME OF LED @TA=25°C	50000 HRS LM80 ANSI/IES
WARRANTY	3 YEARS
APPLICATIONS	INDOORS

PRODUCT ORDERING GUIDE

EXAMPLE: PRIME-TL-3S-8W-120-3CCT-15-O-90-V-B-B-R

SERIES	TYPE	SIZE / WATTAGE	VOLTAGE	CCT	BEAM ANGLE	OPTICS	CRI	DIMMING	REFLECTOR FINISH	FRAME FINISH	OPTIONS
PRIME	T: TRIM	3R: 3 1/2" ROUND-(8/12/15/20W)	120: 120 VAC	3CCT	15	O: OPAL	90	T: TRIAC	W: WHITE	W: WHITE	R: ROUGH-
		4R: 4 1/2" ROUND-(15/20W)	277: 110-277 VAC	2700	24	H: HONEYCOMB	95 ①	V: 0-10V	C: CHROME	B: BLACK	IN PLATE
		5R: 5 1/8" ROUND-(25/30W)		5000	36			D: DALI	M: MATT BLACK		
		6R: 6 1/4" ROUND-(30/35W)			60				B: SHINY BLACK		
		6R: 6 1/4" ROUND-(50W)									
		3S: 3 3/8" SQUARE-(8/12/15/20W)									
PRIME	TL: TRIMLESS	3R: 3" ROUND-(8/12/15/20W)	120: 120 VAC	3CCT	15	O: OPAL	90	T: TRIAC	W: WHITE	W: WHITE	R: ROUGH-
		4R: 4" ROUND-(15/20W)	277: 110-277 VAC	2700	24	H: HONEYCOMB	95 ①	V: 0-10V	C: CHROME	B: BLACK	IN PLATE
		3S: 3" SQUARE-(8/12/15/20W)		5000	36			D: DALI	M: MATT BLACK		
		4S: 4" SQUARE-(15/20W)			60				B: SHINY BLACK		

NOTES:

① CRI>90 ONLY AVAILABLE FOR <30W

FEATURES

► Optics

The design ensures high light transmittance, offering effective light control and anti-glare performance. Beam angles available in 15°, 24°, 36°, and 60°. Opal or honeycomb lens are available.

► Electrical

Voltage	100/277VAC
THD	<20%
Power Factor	>0.9

► Environment & Certifications

cETL listed for dry locations

► Warranty

3 years limited warranty

► Chip

Powered by Osram high efficiency COB LED chip.

► Trim Finish

The powder-coated finish ensures a uniform appearance, offering long-term durability and superior aesthetics.

► Housing Material

Die-cast aluminum housing ensures durability and efficiency, with heat resistance polycarbonate lens.

► LED System

CRI With a 90+ color rendering index (CRI), this product delivers outstanding illumination, featuring tight chromaticity specifications and a precise color binning process to ensure consistency in CRI and CCT.

CCT Available in 3CCT (3000K, 3500K, 4000K), 2700K, 5000K with excellent color consistency.

Thermal Management The aluminum housing serves as an efficient heat sink to maximize lifespan, maintaining heat sink temperatures between 60-70°C

► Mounting

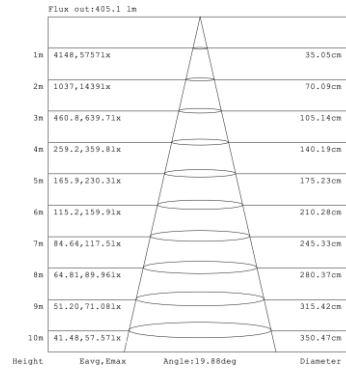
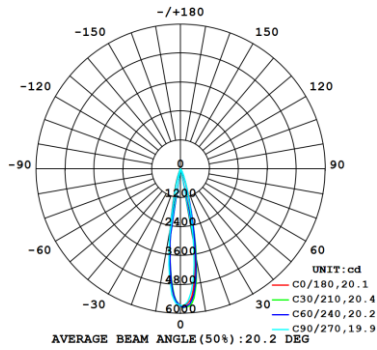
Lock feature for easy trim installation. Durable tension clips allow for fast and easy flush installation.

PHOTOMETRIC DIAGRAM, 12W DOWNLIGHT

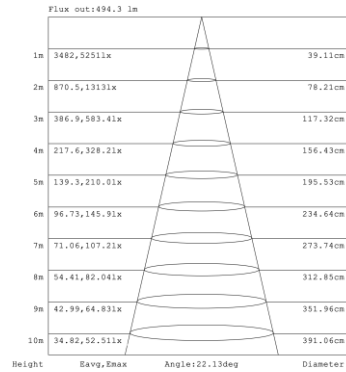
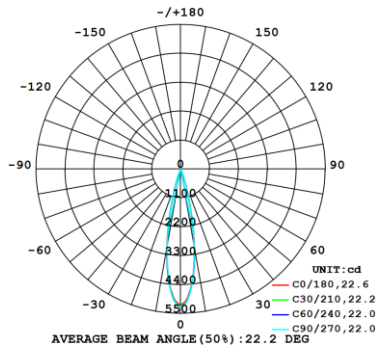
Polar Candela Distribution

Beam Details

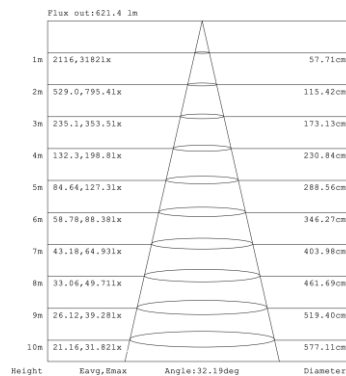
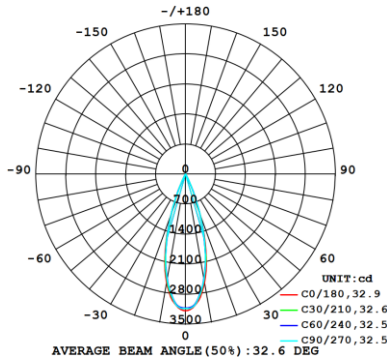
15°



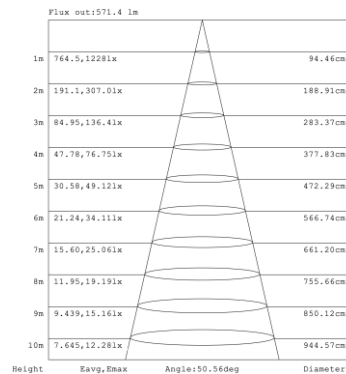
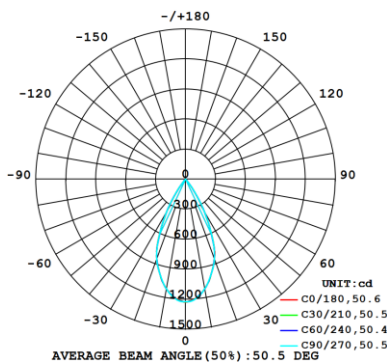
24°



36°



60°

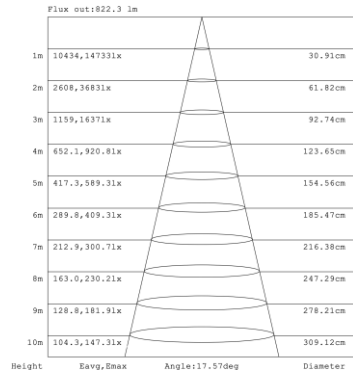
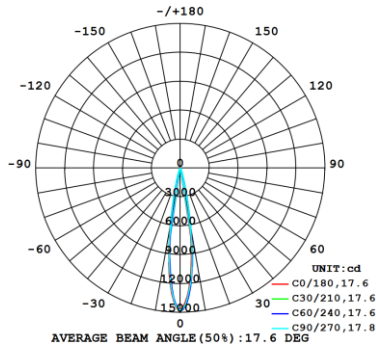


PHOTOMETRIC DIAGRAM, 20W DOWNLIGHT

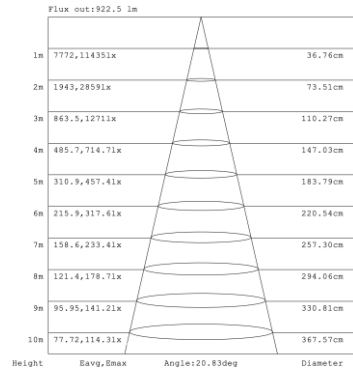
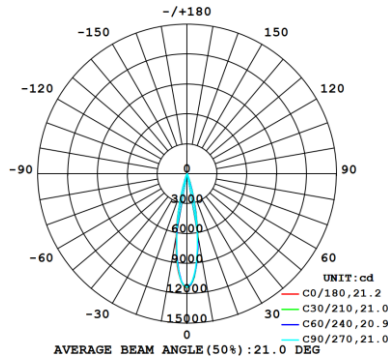
Polar Candela Distribution

Beam Details

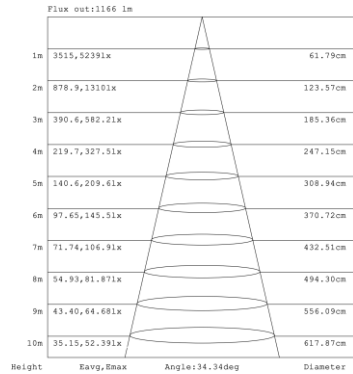
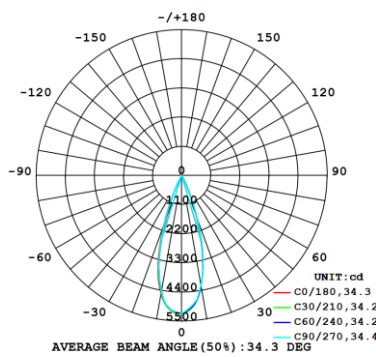
15°



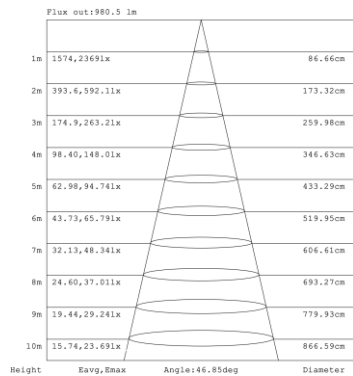
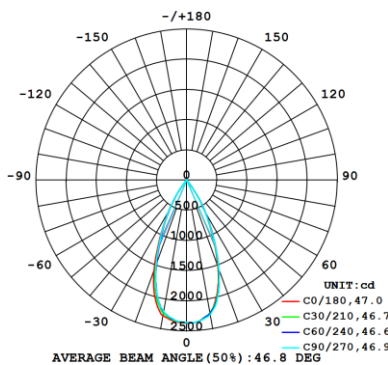
24°



36°



60°

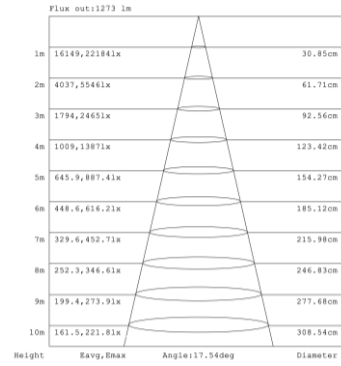
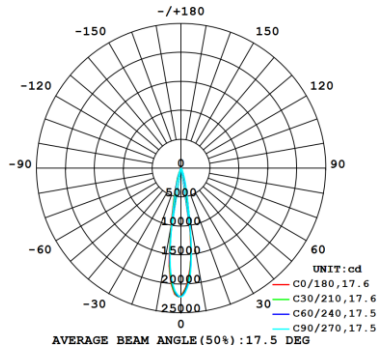


PHOTOMETRIC DIAGRAM, 30W DOWNLIGHT

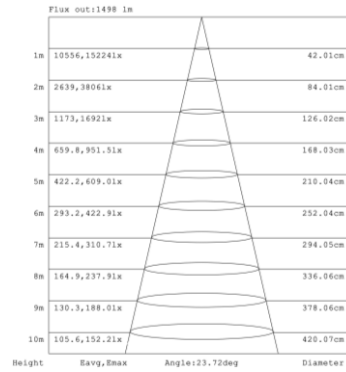
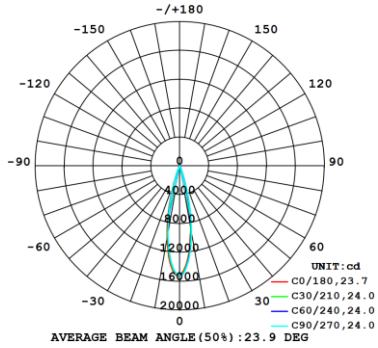
Polar Candela Distribution

Beam Details

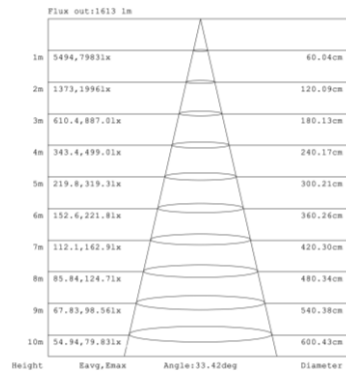
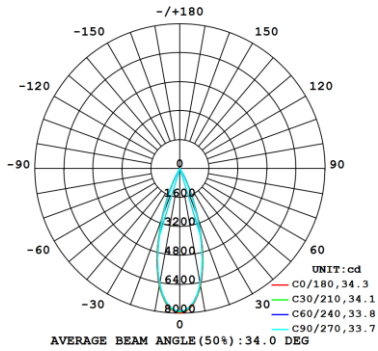
15°



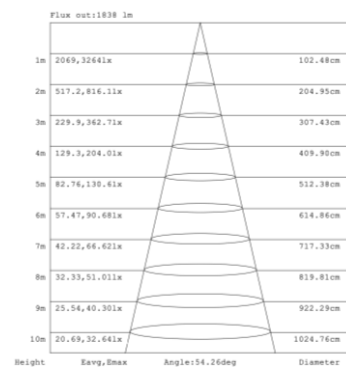
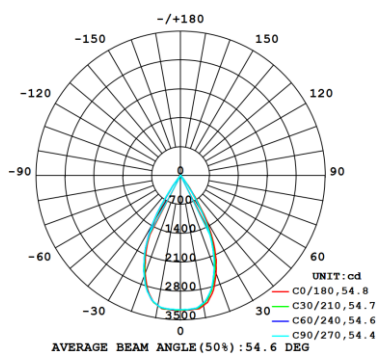
24°



36°



60°



REFLECTOR & TRIM ACCESSORIES



Round Reflector



Square Reflector



Adjustable Trimless Kit



Adjustable Round Trim



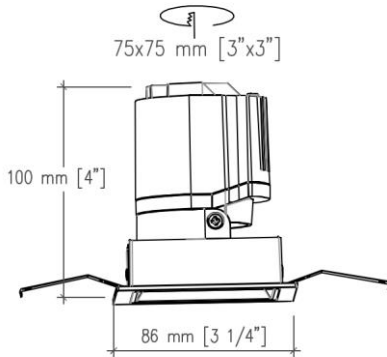
Adjustable Square Trim



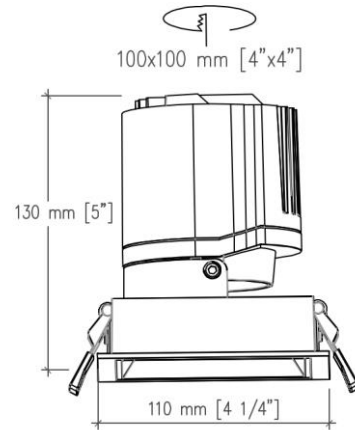
Rough-in Plate



DIMENSIONS (TRIM SQUARE)

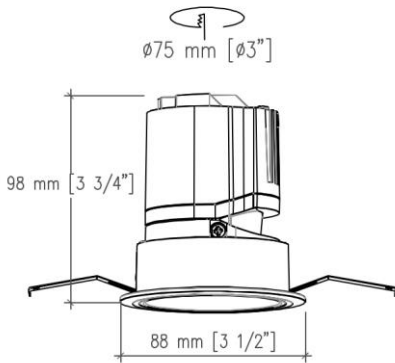


8-12W

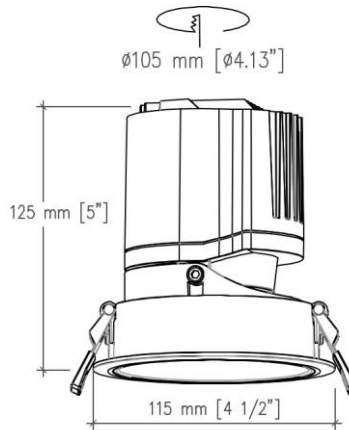


15-20W

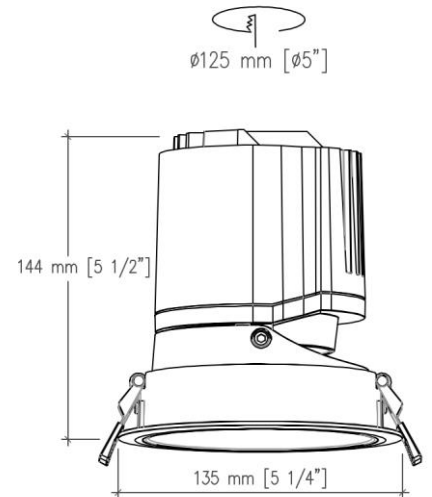
DIMENSIONS (TRIM ROUND)



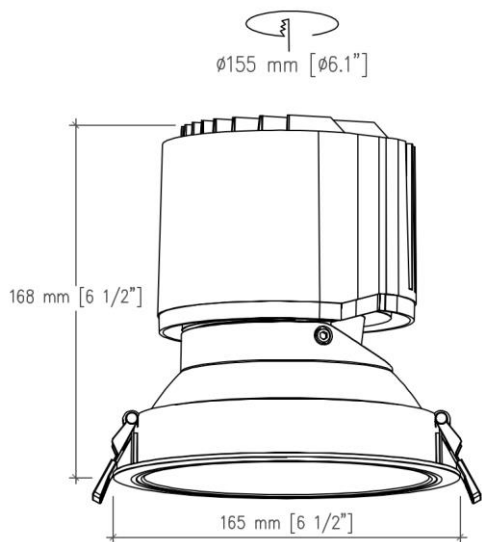
8-12W



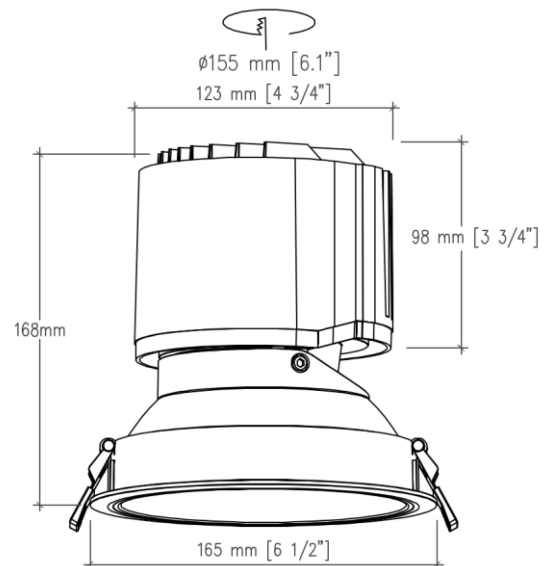
15-20W



25-30W

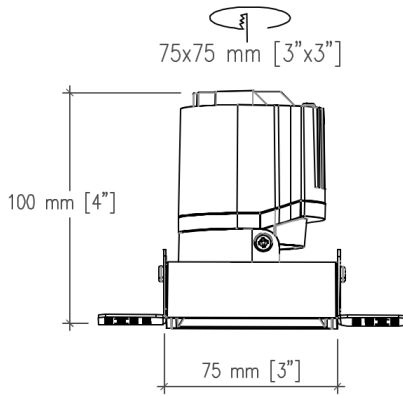


30-35W

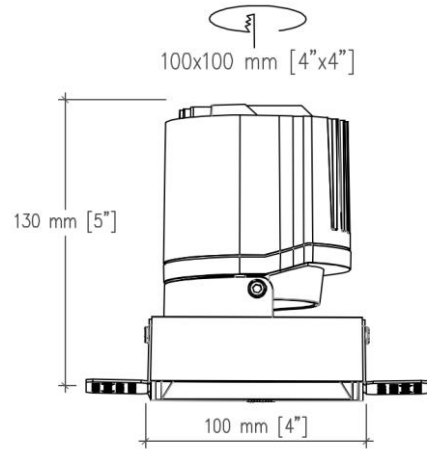


50W

DIMENSIONS (TRIM LESS SQUARE)

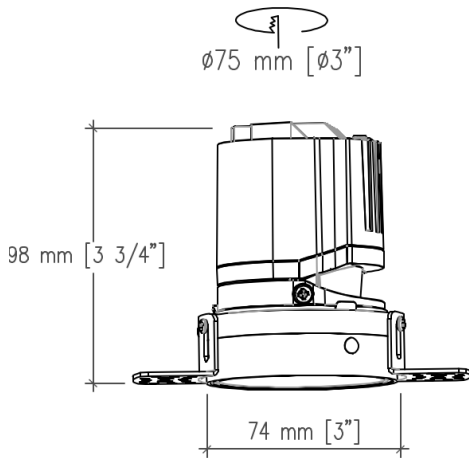


8-12W

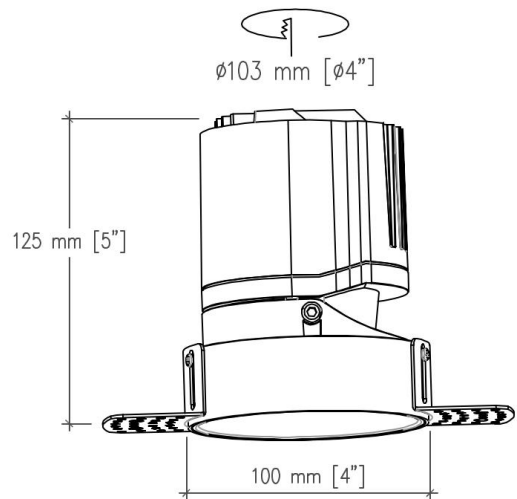


15-20W

DIMENSIONS (TRIM LESS ROUND)

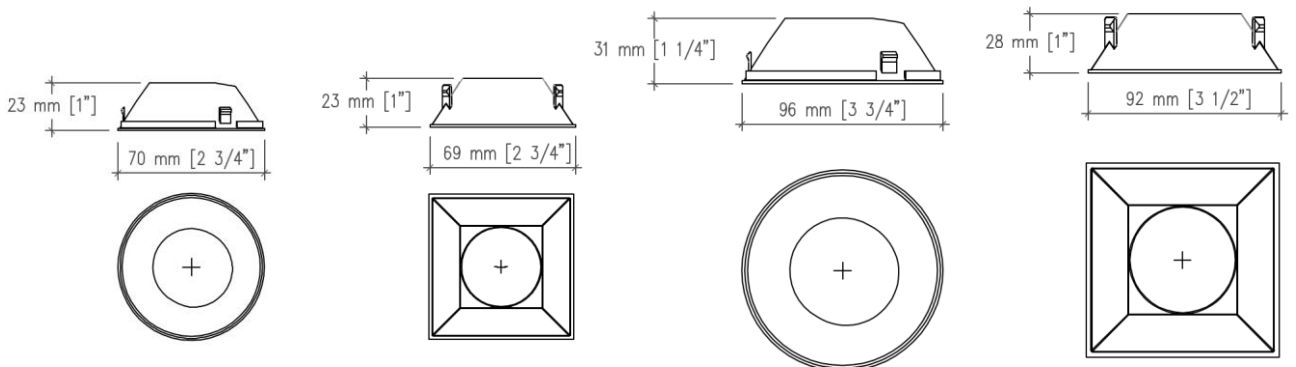


8-12W



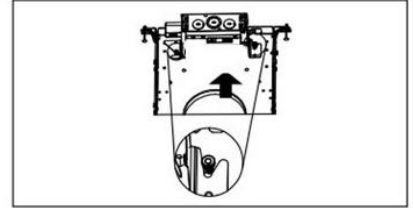
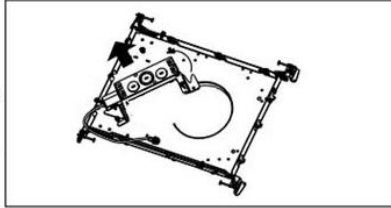
15-20W

DIMENSIONS (REFLECTORS FOR 3" & 4" ROUND & SQUARE DOWNLIGHT)

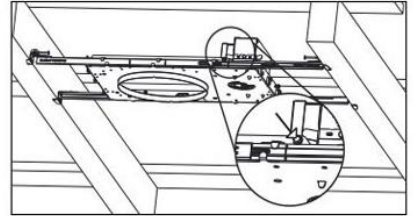
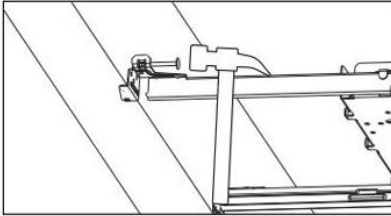


NEW CONSTRUCTION INSTALLATION MANUAL

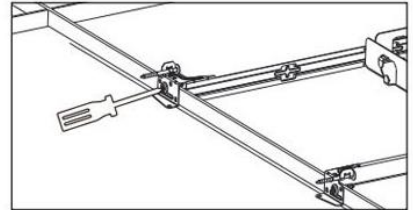
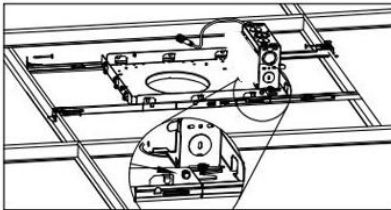
1. Make sure the POWER IS TURNED OFF, and secure the metal driver j-box on the bracket.



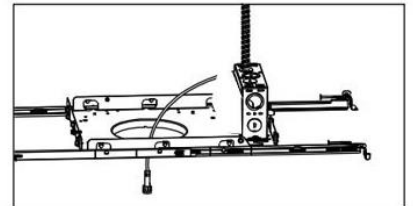
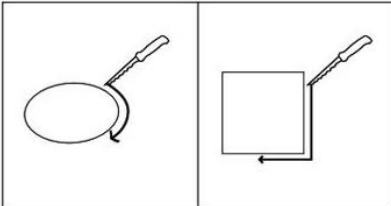
2. Using a hammer, secure the bar hangers to the wood joist with the nail. Secure at all four locations and adjust the position.



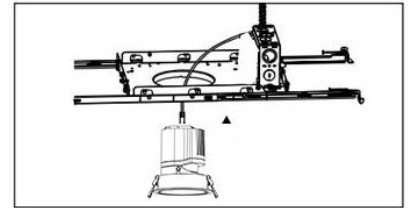
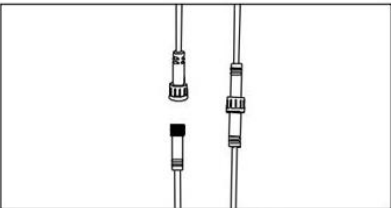
3. Insert the source cable directly into the junction box. Secure it to the ceiling T-Grid using the vertical slots. Lock and secure the frame with screws.



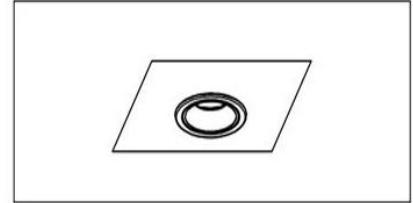
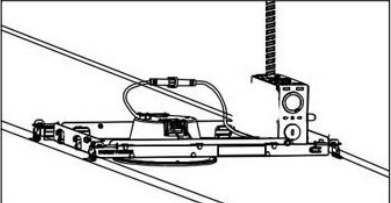
4. If a new hole is needed for the drywall, cut along the edge. Reach and ensure the driver cable is accessible from the ceiling hole.



5. Connect the power cord from the driver to the fixture, then insert the lamp into the ceiling.

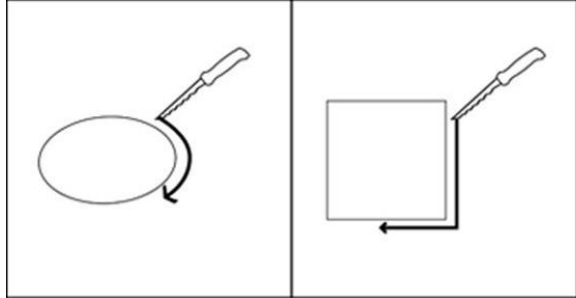


6. Restore power at the source, and the installation is complete.

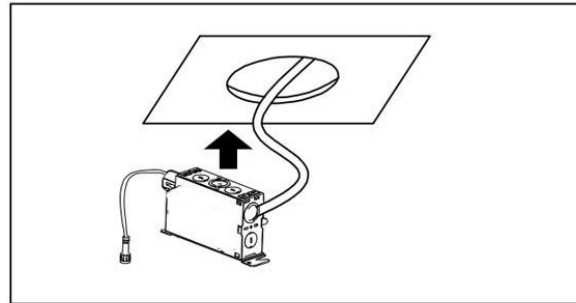


DIRECT INSTALLATION

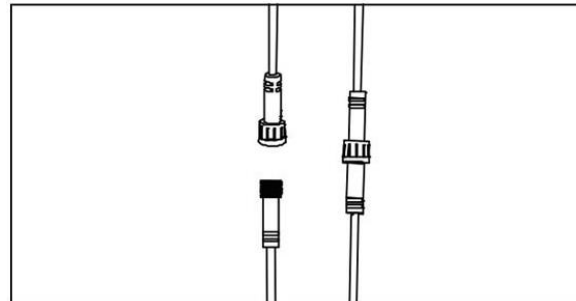
1. Make sure the POWER IS TURNED OFF. Cut the hole in the ceiling tile, hard lid, or drywall.



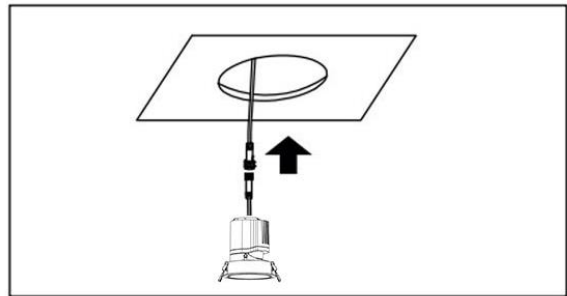
2. Insert the source cable directly into the junction box through one of the knock-outs, and secure it.



3. Connect the power cord from the driver to the fixture using the cable connector. Secure it by tightening the connector's threaded lock nut.



4. Insert the lamp into the ceiling.



5. Restore power at the source, and the installation is complete.

