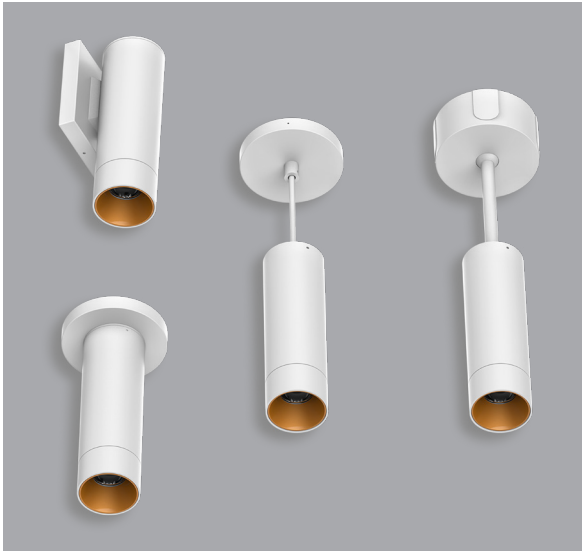


PIVOTRA

PENDANT, SURFACE, WALL MOUNT



Job Information	
Project Name	
Type	
Location	
Quantity	
Date	

DESCRIPTION

PIVOTRA is a versatile, modular DIY architectural cylinder available in pendant, wall, and surface mounting options. This highly adaptable lighting solution features 5 CCT selections, 3 wattage options, optional trims, reflectors, and optical lenses with various beam angles, along with multiple mounting kits. Its extruded profile design allows customization of housing length and finish to meet the unique requirements of different projects. The standard round shape is offered in diameters of 3", 4", 6", and 8".

PIVOTRA seamlessly integrates into a wide range of architectural environments, including hospitality spaces, showrooms, retail stores, commercial offices, residential areas, galleries, museums, and luxury interiors.

OVERVIEW

- Architecture cylinder design
- Stem/cable pendant, surface mount, wall mount options
- 90+ color rendering index (CRI)
- Suitable for dry and damp location

PERFORMANCE

MODEL NAME	PIVOTRA
POWER CONSUMPTION(±10%)	9- 90 W (Size-dependent)
INPUT VOLTAGE	AC 120 - 277 V / 120 - 347 V
LUMINOUS FLUX (±10%)	900- 10,000 Lm (Size-dependent)
EFFICACY	90- 110Lm/W (Size-dependent)
DIMMING	+ 0 - 10V & TRIAC/ ELV Optional: DALI, Dim to Warm, and MESH Control
CCT	Single CCT/ CCT≤5 Selectable
CRI	>90 (Standard)/ >80 (Optional)
SIZE	Ø3" / Ø4" / Ø6" / Ø8"
BEAM ANGLE FOR 3"/4"	20°/30°/40°/50°
BEAM ANGLE FOR 6"/8"	25°/36°/60°
MOUNTING OPTION	Stem/Cable Pendant, Surface, Wall Mount
SHAPE	Cylinder
OPTICS OPTIONS	Lens/ Reflector
FIXTURE COLOR	Black/ White/ Iron Gray
TRIM OPTIONS	Deep Regress/ Baffle/ Slim
CONDUIT CANOPY	Supports 1/2" OR 3/8" CONDUIT
ENVIRONMENT	Suited for Damp Location
OPERATION TEMPERATURE	-25° C to 40°
CERTIFICATIONS	cETLus Listed
WARRANTY	5 Years



SPECIFICATIONS

■ CONSTRUCTION

- Precision cut housing extruded from 6063 aluminium.
- The cylinder height could be customized.
- Standard finishes include textured black and textured white with a powder-coated surface. Custom colors are available with either powder coating or spray painting, depending on the requirement.

■ LIGHT ENGINE

- Utilizing high-quality COB light sources, offering CRI options of 80 and 90. Color consistency is controlled within 3 SDCM for single CCT and 5 SDCM for mixed light, making it an ideal choice for high-end architectural applications.
- Single CCT only for 8-inch, 2700K/3000K/3500K/4000K/5000K
- Available in 3-inch, 4-inch, and 6-inch sizes with 5-CCT select, 2700K/3000K/3500K/4000K/5000K

■ LED DRIVERS

- Offers a 2-in-1 power supply compatible with 0-10V and TRIAC dimming for convenient inventory management. Additionally, DALI, Dim to Warm and 4 MESH solutions are available.
- Class II iso-lation driver, AC120-277V / AC 120-347V
- THD<20, PFC>0.9

■ CONTROLS & INTERGRATED SENSORS

- Provides a Mesh&Sensor solution designed for use with a dedicated canopy, external install on canopy.

■ MOUNTING

- Stem/Cable Pendant
- Wall Mount
- Surface Mount

■ LUMEN MAINTENANCE

- 90% (L90) of initial light output at 61,000+ hrs
- 70% (L70) of initial light output at 237,000+ hrs
- Derived from TM-21 standard @40°C for worst case operating conditions

■ ENVIRONMENT

- Suited for damp location
- Operating temperature : -25° C to 40°

■ CERTIFICATIONS

- ETL, CETL - listed for damp locations

■ WARRANTY

- Five years warranty

- Special orders may require a minimum order quantity, extended lead time, and setup fees. Please consult us for more details.

PRODUCT MODELS

PRODUCT CODE	DIMENTION	WATT SELECT	LUMENS	OPTICAL	DISTRIBUTION	EFFICACY	COLOR TEMP	VOLTAGE	DIMMABLE	CRI
PVT- 03 -D1	3" (Ø2.87" X 7.09")	9W/12W/15W	900Lm 1200Lm 1500Lm	Lens	20° 30° 40° 50°	100Lm/W	2700K 3000K 3500K 4000K 5000K Select	AC120-277V	0-10V (5% - 100%)	>90
PVT- 03- TR	3" (Ø2.87" X 7.09")	9W/12W/15W	900Lm 1200Lm 1500Lm	Lens	20° 30° 40° 50°	100Lm/W	2700K 3000K 3500K 4000K 5000K Select	AC120-277V	Triac / ELV	>90
PVT-04A	4"(Type A) (Ø4.72" X 8.78")	18W/24W/30W	1800Lm 2400Lm 3000Lm	Lens	20° 30° 40° 50°	100Lm/W	2700K 3000K 3500K 4000K 5000K Select	AC120-277V	0-10V&Triac	>90
PVT-04B	4"(Type B) (Ø4.72" X 11.81")	20W/30W/40W	2000Lm 3000Lm 4000Lm	Lens	20° 30° 40° 50°	100Lm/W	2700K 3000K 3500K 4000K 5000K Select	AC120-277V	0-10V&Triac	>90
PVT-06A	6"(Type A) (Ø5.55" X 6.47")	10W/15W/20W	900Lm 1350Lm 1800Lm	Reflector	25° 36° 60°	90Lm/W	2700K 3000K 3500K 4000K 5000K Select	AC120-277V	0-10V&Triac	>90
PVT-06B	6"(Type B) (Ø5.55" X 10.63")	20W/30W/40W	1800Lm 2700Lm 3600Lm	Reflector	25° 36° 60°	90Lm/W	2700K 3000K 3500K 4000K 5000K Select	AC120-277V	0-10V&Triac	>90
PVT-06C	6"(Type C) (Ø5.55" X 13.79")	45W/50W/55W	4950Lm 5500Lm 6050Lm	Reflector	25° 36° 60°	110Lm/W	2700K 3000K 3500K 4000K 5000K Select	AC120-277V	0-10V&Triac	>80
PVT-08A	8" (Ø7.87" X 17.22")	70W/80W/90W	6300Lm 7200Lm 8100Lm	Reflector	25° 36° 60°	90Lm/W	2700K/ 3000K/ 3500K/ 4000K/ 5000K/ Single	AC120-277V	0-10V&Triac	>90

PRODUCT ORDERING GUIDE

EXAMPLE: Cylindre G1 WL-1CLD3IN15WB5D3UV5A-90-20-BK-WM-FR03

PVT-03-D1	15W	B5	D1	UV	5A	-90	-20	-BK	-WM	-FR03
Product Code	Wattage	Series	Dimming	Voltage	Temp.	CRI	Distribution	Finishing	Mounting	Trim Style

PRODUCT CODE	WATTAGE SELECTABLE	SERIES	DIMMING	VOLTAGE	COLOR TEMP	CRI	DISTRIBUTION	Finishing	MOUNTING	TRIM STYLE	
PVT-03-D1 = 3Inch with 0-10V dimming PVT-03-TR = 3Inch with Triac dimming PVT-04A = 4Inch (Type A) PVT-04B = 4Inch (Type B)	15W = 9W/12W/15W 30W = 18W/24W/30W 40W = 20W/30W/40W	B5 = 5CCT Select 3Watt Select A = Single CCT 3Watt Select	D4 = DALI MC = Mesh Control TR = Triac / ELV D1 = 0-10V (5%-100%) DW = Dim to Warm	UV = 120-277V HV = 120-347V SV = 120V	5A = 2700K-3000K-3500K-4000K-5000K-5-CCT Select	90 = For 90CRI (Standard) with 100Lm/W efficacy for 3" & 4" with 90Lm/W efficacy for 6" & 8" 80 = For 80CRI with 110Lm/W efficacy for 6" & 8"	20 = 20° 30 = 30° 40 = 40° 50 = 50° (For Lens)	BK = Texture Black WH = Texture White CS = Custom	PC = Pendant Mount-Cable PS = Pendant Mount-Stem WM = Wall Mount SM = Surface Mount	FR03 = 3" Baffle Trim FR04 = 4" Baffle Trim FR06 = 6" Baffle Trim FR08 = 8" Slim Trim RH03 = 3" DeepRegress Trim Holder RH04 = 4" DeepRegress Trim Holder	
PVT-06A = 6Inch (Type A) PVT-06B = 6Inch (Type B) PVT-06C = 6Inch (Type C)	20W = 20W/30W/40W 40W = 10W/15W/20W 55W = 45W/50W/55W				27 = 2700K 30 = 3000K 35 = 3500K 40 = 4000K 50 = 5000K Single CCT					25 = 25° 36 = 36° 60 = 60° (For Reflector)	DEEP REGRESS CONE
PVT-08A = 8Inch (Type A)	90W = 70W/80W/90W										RT03/04-WH = Withe Cone RT03/04-BK = Black Cone RT03/04-SL = Silver Cone RT03/04-CO = Copper Cone

ACCESSORIES

CANOPY TYPE	CABLE	OPTICAL LENS FOR 3"&4"
SC= 5" Standard Canopy With Recessed J-box	33AC-5C=3'5-Core 300V Cable	(LE03-XX) LE03-20/30/40/50= 3" 20/30/40/50° Optics Lens
DC= 5" Canopy for Surface J-box With Conduit Cover	43AC-5C=4'5-Core 300V Cable	(LE04-XX) LE04-20/30/40/50= 4" 20/30/40/50° Optics Lens
UC= 5" Slim Canopy With Recessed J-box	63AC-5C=6'5-Core 300V Cable	ALUMINUM REFLECTOR for 6"&8"
CB= Canopy With Surface J-box	83AC-5C=8'5-Core 300V Cable	AR06-30=6" 25° Aluminum Reflector
MOUNTING ACCESSORIES	STEM	AR06-40=6" 30° Aluminum Reflector
SK= Swivel Stem & Cord Pendant Kit	S01-BK= Linkable Stem	AR06-60=6" 60° Aluminum Reflector
FIXED ACCESSORY PAIRS	ALUMINUM LAMP SHADE	AR08-30=8" 25° Aluminum Reflector
HB= Dual-hole (Cord & Lanyard) Canopy With Recessed J-box for Cord Pendant Mount (6" & 8" Only)	AS06-WH= 6" /8" Aluminum Lampshade , Textured White	AR08-40=8" 36° Aluminum Reflector
WM= Wall Mount Canopy & Arm	AS06-BK= 6" /8" Aluminum Lampshade , Textured Black	AR08-60=8" 60° Aluminum Reflector
		OTHERS
		EM= Emergency Back Up

PIVOTRA

PENDANT, SURFACE, WALL MOUNT



FINISHING COLOR

Standard



RAL9004
Sand Textured Black



RAL9016
Sand Textured White



RAL7011
Iron Gray

Note: Custom color with spray painting process, additional charges apply. Pantone number and color sample must be provided.

MOUNTING STYLE

3" & 4"



Wall Mount
(WMC)



Surface Mount



Surface Mount
on Conduit



Surface Mount



Cable Pendant



Stem Pendant



Cable Pendant



Stem Pendant
on Conduit



Cable Pendant
on Conduit

6" & 8"



Wall Mount



Surface Mount on Conduit



Stem Pendant



Stem Pendant on Conduit

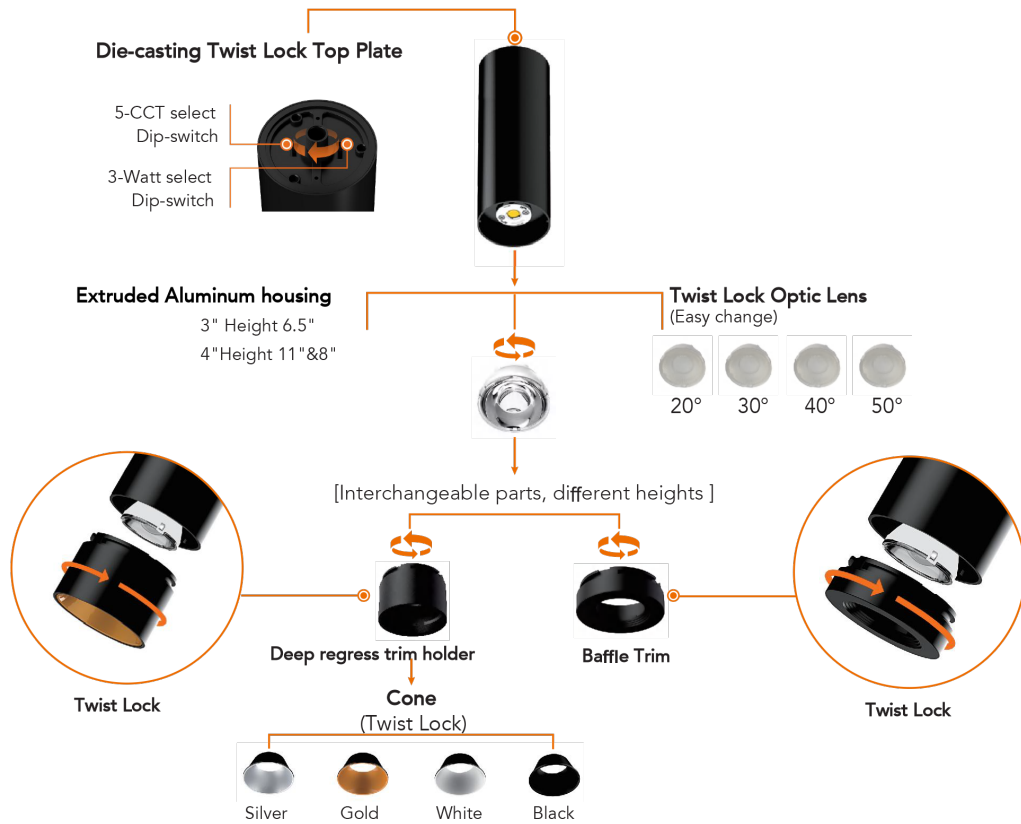


Cable Pendant

PIVOTRA

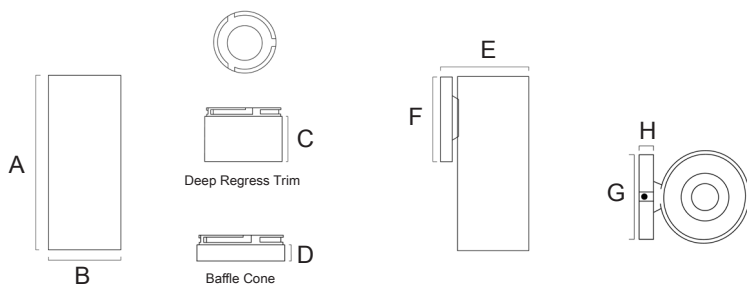
PENDANT, SURFACE, WALL MOUNT

FEATURE: 3-INCH & 4-INCH



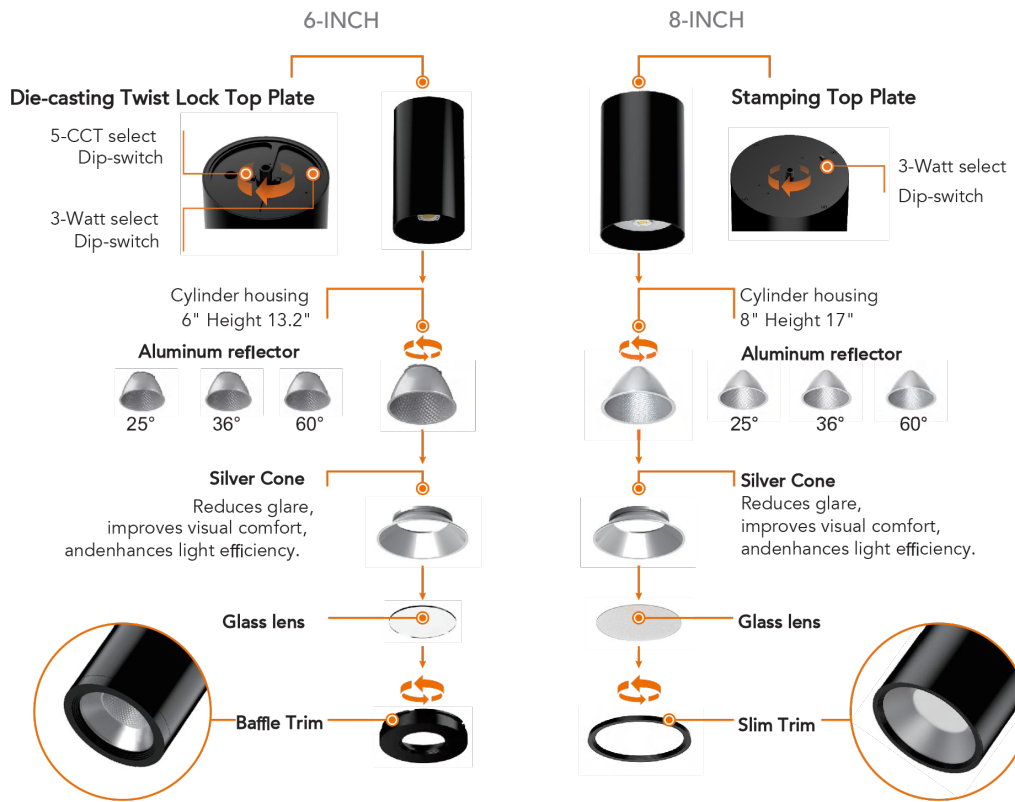
DIMENSIONS

Round Cylinder (3" & 4")



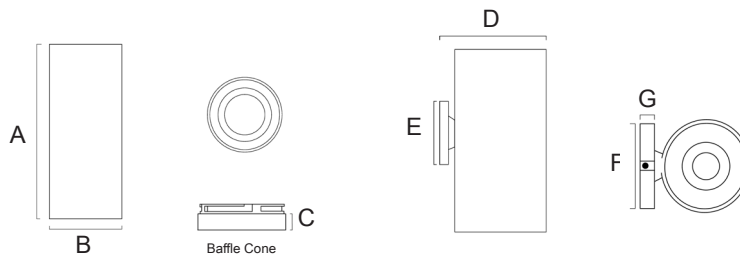
	A NET HEIGHT	B DIAMETER	C DEEP REGRESS TRIM HEIGHT	D BAFFLE TRIM HEIGHT	TOTAL HEIGHT WITH DEEP REGRESS TRIM	TOTAL HEIGHT WITH BAFFLE TRIM	E TOTAL WIDTH INCLUDING WALL MOUNT BRACKET	F WALL MOUNT BRACKET HEIGHT	G BACKE LENGTH	H BRACKET WIDTH
3-Inch	6.5" (165mm)	2.87" (Ø73 mm)	1.63" (41.5 mm)	0.59" (15 mm)	8.13" (206.5 mm)	7.09" (180 mm)	3.96" (100.5 mm)	5.39" (137 mm)	4.25" (108 mm)	1.18" (30 mm)
4-Inch-A	8" (203 mm)	4.72" (Ø120 mm)	2.57" (65.5 mm)	0.78" (20 mm)	10.57" (268.5 mm)	8.78" (223 mm)	5.84" (148.4 mm)	5.39" (137 mm)	4.25" (108 mm)	1.18" (30 mm)
4-Inch-B	11" (280 mm)	4.72" (Ø120 mm)	2.57" (65.5 mm)	0.78" (20 mm)	13.57" (345.5 mm)	11.81" (300 mm)	5.84" (148.4 mm)	5.39" (137 mm)	4.25" (108 mm)	1.18" (30 mm)

FEATURE: 6-INCH & 8-INCH



DIMENSIONS

Round Cylinder (6" & 8")



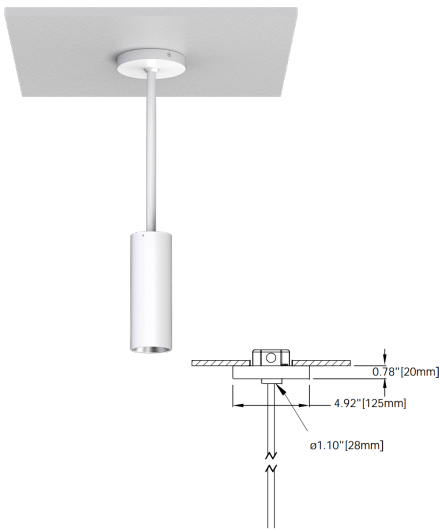
	A NET HEIGHT	B DIAMETER	C BAFFLE CONE HEIGHT	TOTAL HEIGHT WITH BAFFLE CONE	D TOTAL HEIGHT INCLUDING BRACKET	E BRACKET HEIGHT	F BACK LENGTH	G BRACKET WIDTH
6-Inch-A	5.89" (149.5mm)	5.55" (Ø141 mm)	0.59" (15 mm)	6.47" (164.5 mm)	6.61" (168 mm)	5.39" (137 mm)	4.25" (108 mm)	1.18" (30 mm)
6-Inch-B	13.19" (335 mm)	5.55" (Ø141 mm)	0.59" (15 mm)	13.79" (350 mm)	6.61" (168 mm)	5.39" (137 mm)	4.25" (108 mm)	1.18" (30 mm)
6-Inch-C	10.04" (255 mm)	5.55" (Ø141 mm)	0.59" (15 mm)	10.63" (270 mm)	6.61" (168 mm)	5.39" (137 mm)	4.25" (108 mm)	1.18" (30 mm)
8-Inch-A	17.22" (437.5 mm)	7.87" (Ø200 mm)	/	/	9.01" (229 mm)	5.39" (137 mm)	4.25" (108 mm)	1.18" (30 mm)

CANOPY AND J-BOX INSTALLATION OPTIONS

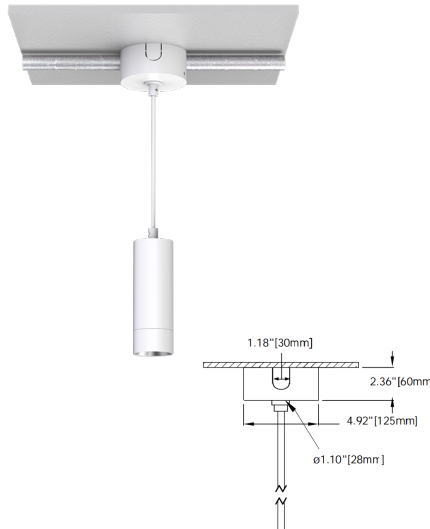
Various Canopy Options To Match Different Ceiling Conditions And J-box Types.

- Multiple canopy options for different ceiling applications.
- For pendant or surface installation.
- Each canopy ensures stable mounting and clean ceiling integration.

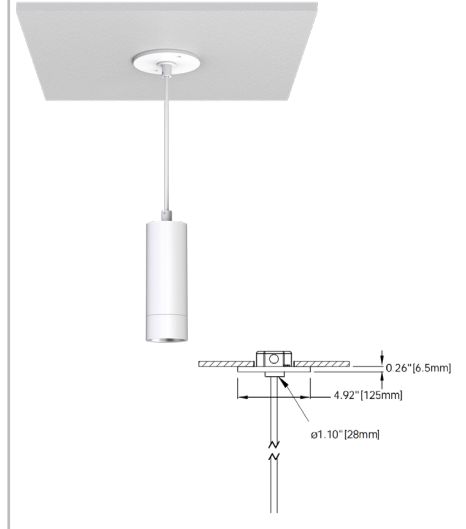
Canopy With Recessed J-box



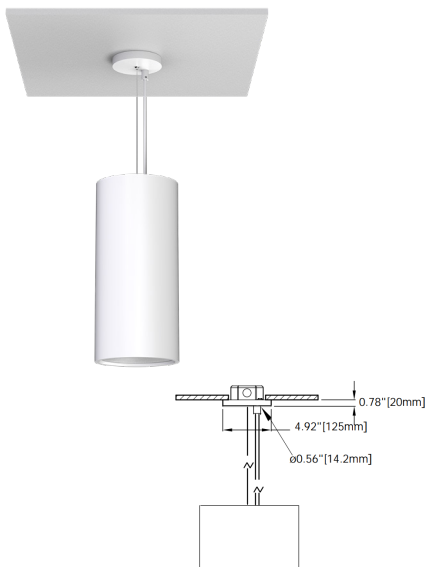
Canopy With Surface J-box



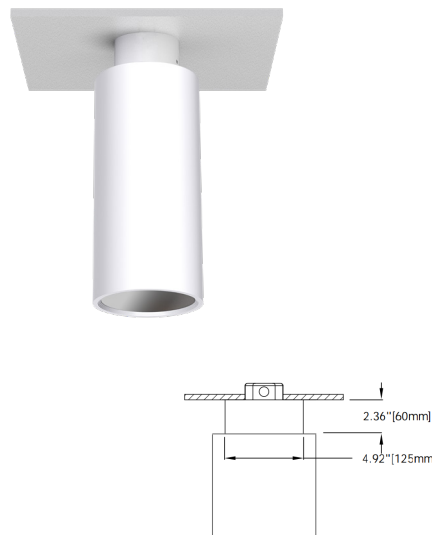
Conduit Cover Canopy With Surface J-box



Canopy With Recessed J-box

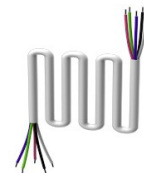


Surface Gear Box With Surface J-box



Cord / Cable Options

Core



33AC-5C = 3'5-Core 300V Cord
43AC-5C = 4'5-Core 300V Cord
63AC-5C = 6'5-Core 300V Cord
83AC-5C = 8'5-Core 300V Cord





Stem




S01-BK=Linkable Stem

CANOPY TYPE

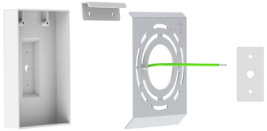
Pendant Stem / Cord Mount / Surface Mount Options

	TYPE	DIMANSION
	SC = 5" Standard Canopy With Recessed J-box	Ø4.92" X 0.78"
	DC = 5" Standard Canopy For Surface J-box With Conduit Cover	Ø4.92" X 2.36"
	UC = 5" Slim Canopy With Recessed J-box	Ø4.92" X 0.26"
	CB = Canopy With Surface J-box (For 8")	

Recessed J-box for Cord Pendant Mount

	TYPE	DIMANSION
	HB = Dual-hole (Cord & Lanyard) Canopy With Recessed J-box for Cord Pendant Mount (6" & 8" Only)	Ø4.92X0.78"

Wall Mount

	TYPE
	WM = Wall Mount Canopy & Arm

PIVOTRA

PENDANT, SURFACE, WALL MOUNT

Conduit Canopy

Design for Surface & Pendant Mount on Conduit

The conduit knockout canopy features from one to four keyholes and is compatible with 1/2 Inch or 3/8 Inch conduit. The slots measure 2-3/8" in height and 1-3/16" in width.



Conduit Configuration Options



Single Conduit Feed

Double 180° Conduit

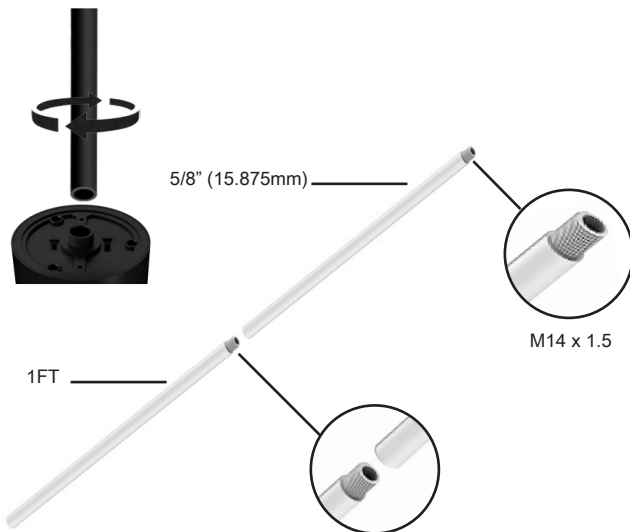
Double 90° Conduit

Triple 0°, 90°, & 180° Conduit

Quad 0°, 90°, & 270° Conduit

Linkable Stem (Min. 1ft, No Length)

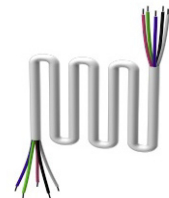
S01 = 1* Stem
Diameter: 5/8" (15.875mm) M14 x 1.5mm



Rotatable Threaded Linkable Connection

Cable

33AC-5C = 3'5-Core 300V Cable
43AC-5C = 4'5-Core 300V Cable
63AC-5C = 6'5-Core 300V Cable
83AC-5C = 8'5-Core 300V Cable

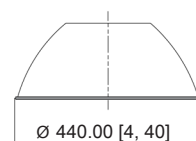
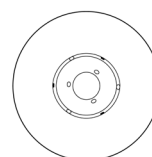


Aluminum Lampshade

AS06-WH=
6" / 8" Aluminum Lampshade, Textured White



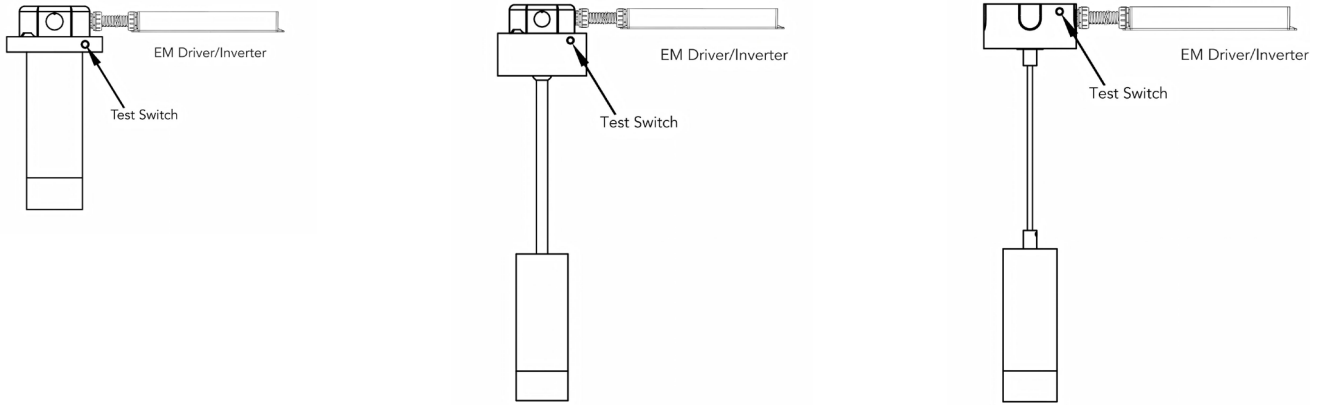
AS06-BK=
6" / 8" Aluminum Lampshade, Frosted Black



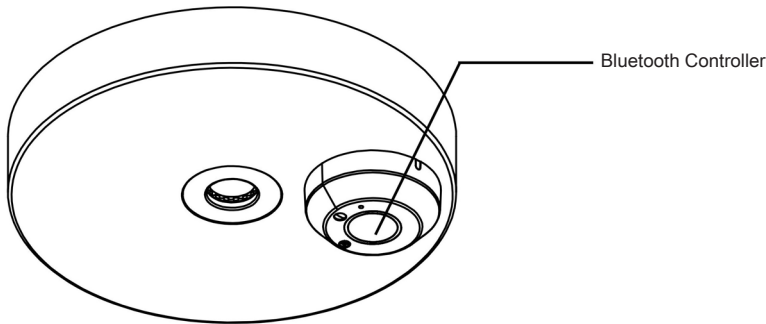
PIVOTRA

PENDANT, SURFACE, WALL MOUNT

Line Drawing With Options



Bluetooth Mesh Control



INPUT VOLTAGE	IDETECTION RENG	MOUNTING HEIGHT	OPERATING TEMPERATURE	IP RATING
DC 12V	32ft Max	15ft Max	-30°C to 65°C (-22°F to 149°F)	IP20

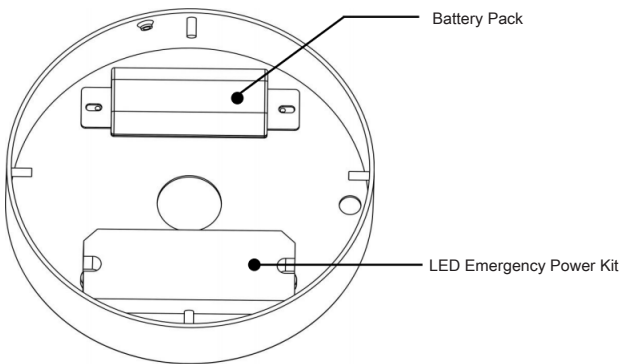
App Download



- **Equipped with a Built-in Magnetic Base**
Allows easy attachment directly to the canopy for quick and secure installation.
- **Low-Voltage Operation**
Safe and energy-efficient, designed to operate on a low-voltage system for improved safety.
- **No Sensor Required**
Enables seamless app-based dimming for smart, effortless Control.
- **Compatible with SCKD Canopy with Recessed J-Box Only**
Specifically designed to work with the SCKD canopy, and can be mounted using a predrilled hole on canopy.



Internal Emergency Power



LED Emergency Power Kit



- LED Emergency Converter
Converts standard LED fitting into emergency LED fitting
- Compatible with LiFePO4 Battery
- Suitable for LED Fittings with External Driver

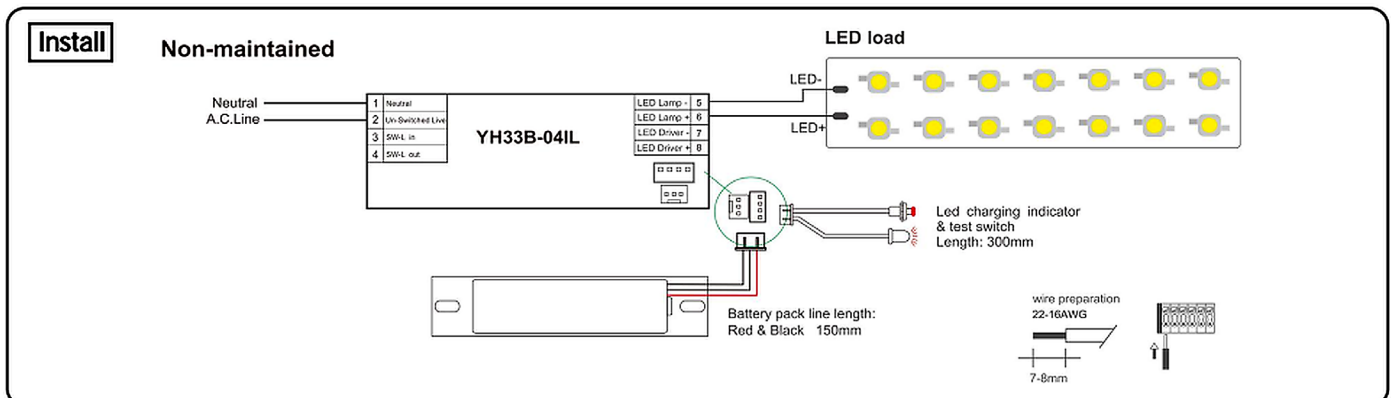
ITEM	DATA
Rated Input Voltage	100-277 VAC, 50/60 Hz
Power Factor	>0.5
Output Current	75 mA CC
Output Power (Max)	3.5 W
Recharge Time	24 hours
Discharge Time	90 minutes
Lumen Factor	140 lm/W
Max.casing Temperature tc	70°C

Battery Pack



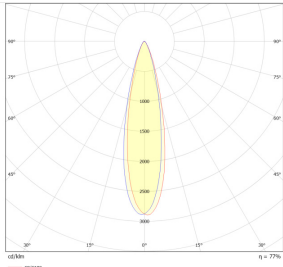
- 1500mAh capacity ensures emergency lighting stays fully functional for extended periods without frequent recharging.
- Built-in emergency power ensures proper operation during power outages.
- Equipped with a test switch and charge indicator for easy monitoring maintenance.

ITEM	DATA
Category	Emergency Lighting
Battery Type	LiFePO4
Capacity	1500 mAh
Voltage	6.4 V
Power Rating	9.60 Wh

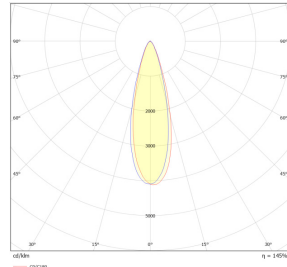


Light Distributions

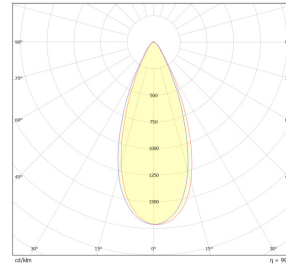
3 Inch



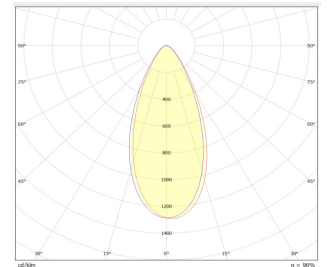
20° Beam angle



30° Beam angle

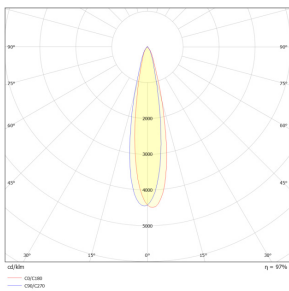


40° Beam angle

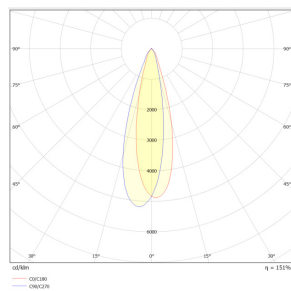


50° Beam angle

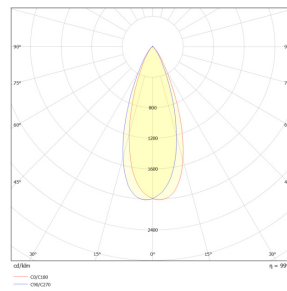
4 Inch - A Type



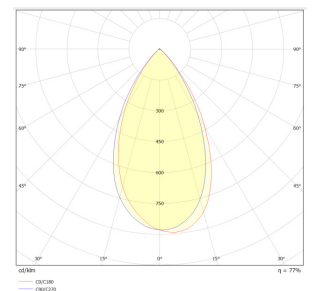
20° Beam angle



30° Beam angle

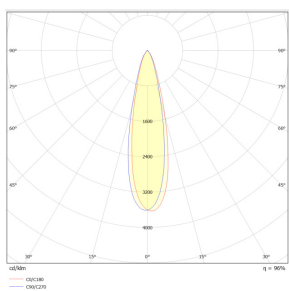


40° Beam angle

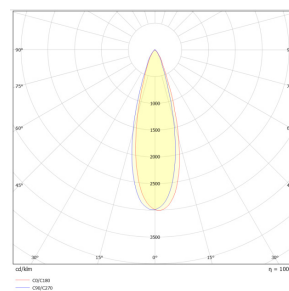


50° Beam angle

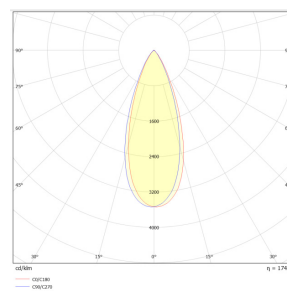
4 Inch - B Type



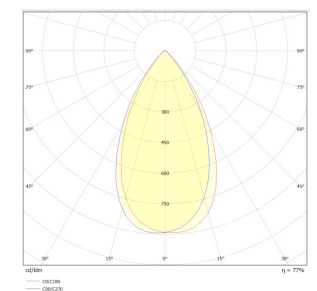
20° Beam angle



30° Beam angle



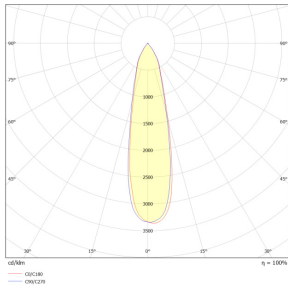
40° Beam angle



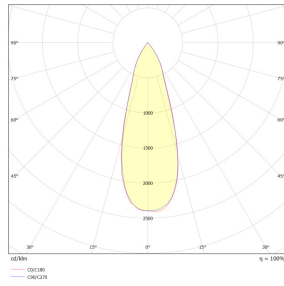
50° Beam angle

Light Distributions

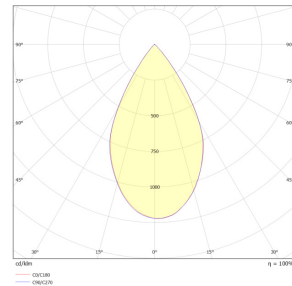
6 Inch



25° Beam angle

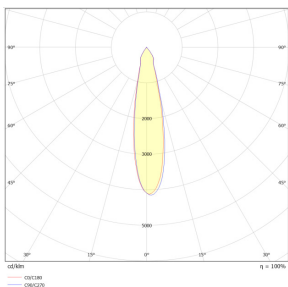


36° Beam angle

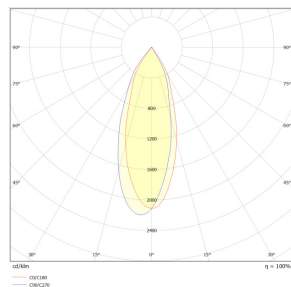


60° Beam angle

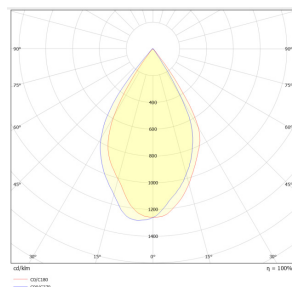
8 Inch



25° Beam angle



36° Beam angle



60° Beam angle