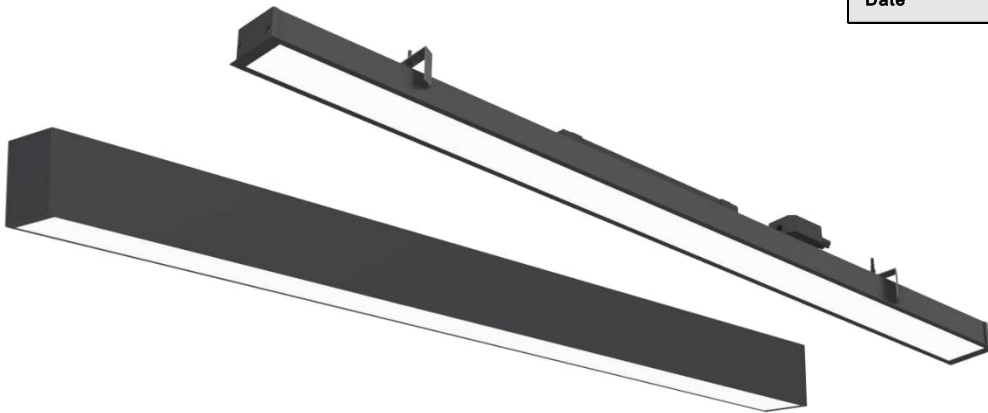


SRL02

SURFACE/RECESSED LINEAR LIGHT SPECIFICATIONS



Job Information	
Project Name	
Type	
Location	
Quantity	
Date	



DESCRIPTION

SRL02 is a minimalist surface mounted or recessed linear fixture engineered for direct illumination—ideal for commercial interiors and workspace environments. Its design balances clean aesthetics with performance, delivering uniform, visually comfortable light in demanding interior settings. The linkable design features a seamless prismatic diffuser, which can be ordered in roll format to ensure smooth, continuous light lines across multiple fixtures.

OVERVIEW

- Linkable direct linear light
- Recessed or surface mounted
- Simple, easy and quick installation
- Efficient lighting up to 120 LM/W
- Flexible prismatic diffuser
- UGR<19 provides visual comfort

PERFORMANCE

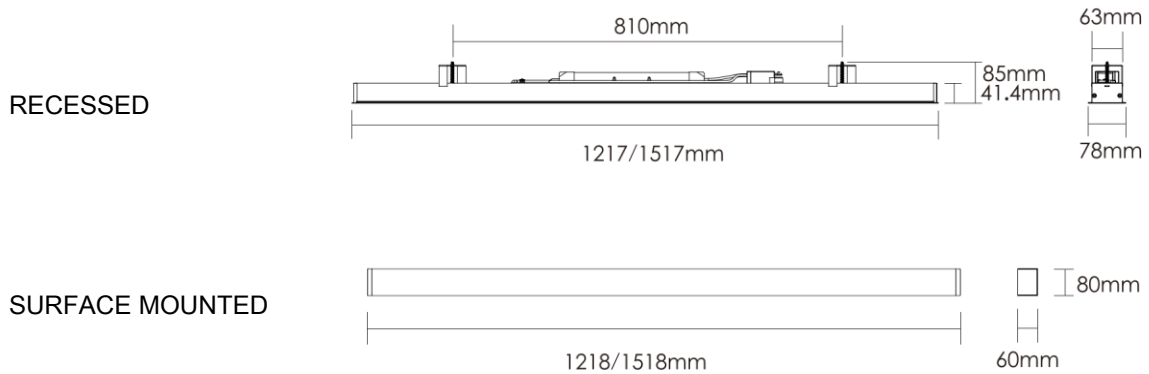
MODEL NAME	SRL02	
POWER CONSUMPTION(±10%)	40W	50W
LUMINOUS FLUX	4800 LM	6000 LM
EFFICIENCY	UP TO 120 LM/W	
INPUT VOLTAGE	120-277VAC	
POWER FACTOR	≥0.9	
DIMMING	0-10V/DALI	
CCT	3000K/3500K/4000K/5000K/6000K	
CRI	>80	
UGR LEVEL	<19	
BEAM ANGLE	90°	
MOUNTING OPTIONS	RECESSED/SURFACE MOUNTED	
FINISH	SILVER/WHITE/BLACK	
IP RATING	IP20	
OPERATING TEMPERATURE	-20°C TO + 45°C (-4°F TO 113°F)	
LIFE TIME OF LED @TA=25°C	50000 HRS L80	
WARRANTY	5 YEARS	
APPLICATIONS	INDOORS	

PRODUCT ORDERING GUIDE

EXAMPLE: RSL02-40W-S-3000-V-S

SERIES	WATTAGE	MOUNTING	CCT	DIMMING	FINISH
SRL02	40W	S: SURFACE	3000	D: DALI	B: BLACK
	50W	R: RECESSED	3500	V: 0-10V	S: SILVER
			4000	N: NONE	W: WHITE
			5000		
			6000		

DIMENSIONS



FEATURES

► Optics

Downward (direct) illumination

► Electrical

Voltage 100-277VAC

► Environment & Certifications

cETL listed for dry locations

► Warranty

5 years limited warranty

► Mounting

Recessed/surface mounted and linkable.

► Finish

The powder-coated finish ensures a uniform appearance, offering long-term durability and superior aesthetics.

► Housing Material

Die-cast aluminum housing ensures durability and efficiency, with heat resistance polycarbonate lens.

► LED System

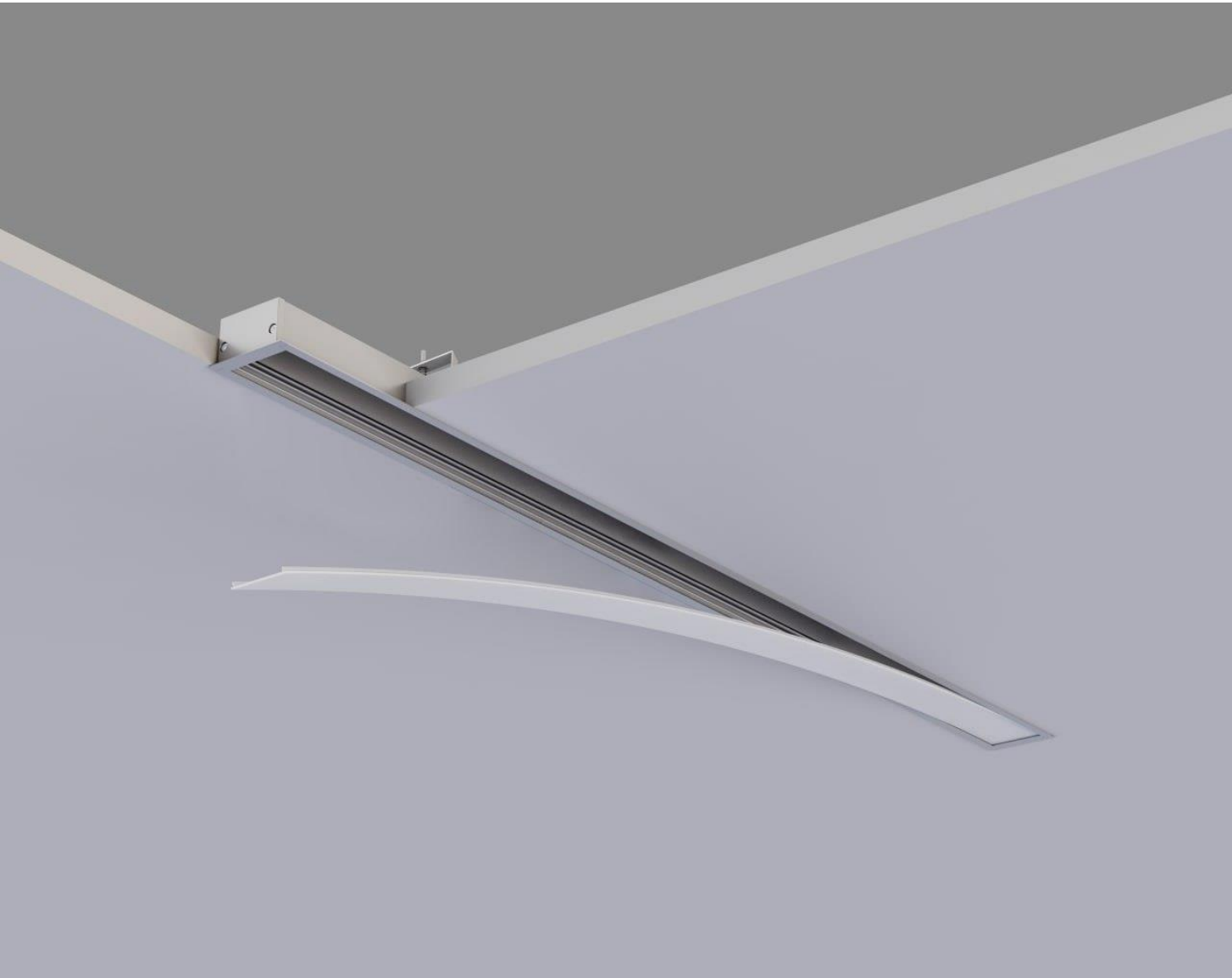
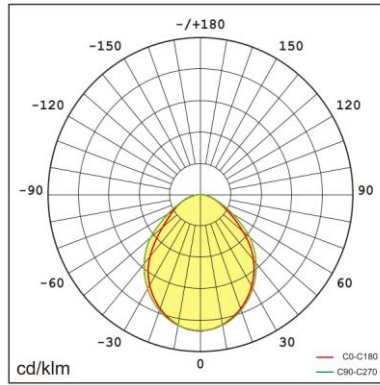
CRI With a 80+ color rendering index (CRI), this product delivers outstanding illumination, featuring tight chromatic specifications and a precise color binning process to ensure consistency in CRI and CCT.

CCT Available in 3000K, 3500K, 4000K, 5000K, and 6000K with excellent color consistency.

SRL02

SURFACE/RECESSED LINEAR LIGHT SPECIFICATIONS

DISTRIBUTION



SRL02

SURFACE/RECESSED LINEAR LIGHT SPECIFICATIONS



SRL02

SURFACE/RECESSED LINEAR LIGHT SPECIFICATIONS

