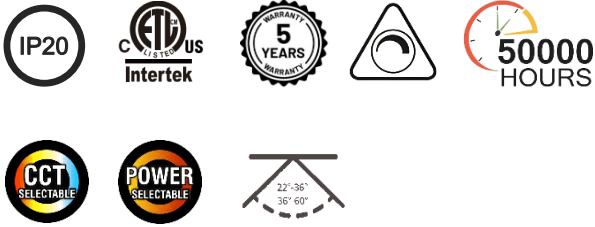
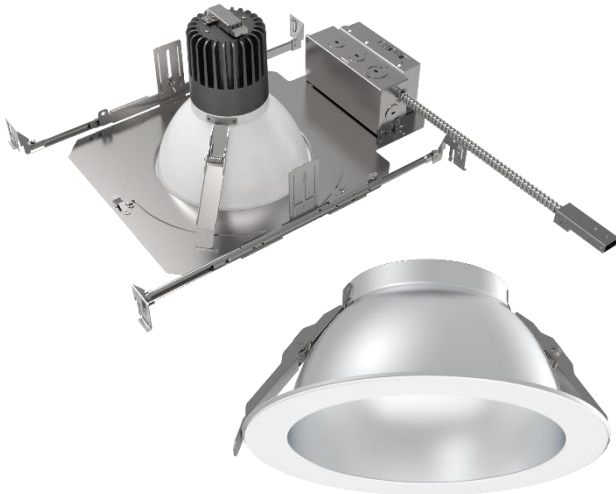


# INTEGRA PRO

## COMMERCIAL DOWNLIGHT SPECIFICATIONS



Job Information	
Project Name	
Type	
Location	
Quantity	
Date	



## DESCRIPTION

The Commercial LED Downlight System is a versatile lighting solution that integrates modular design with the latest advancements in LED and wireless control technology. Featuring selectable wattage and color temperature settings, it offers an all-in-one system suitable for a wide range of applications. With a single light engine and a variety of accessories, you can precisely configure the ideal fixture for your project. It delivers high-quality, cost-effective LED lighting for virtually any space.

## OVERVIEW

- Flexibility - Split design of led light engine, reflector, trim and driver, seamless integration
- Compatibility – Optional flicker-free 1-10V/100-277V true color - 90+ CRI, produces outstanding illumination
- Wall-washer filter is available.

## PERFORMANCE

MODEL NAME	INTEGRA PRO
POWER CONSUMPTION(±10%)	12/25/38W SELECTABLE
INPUT VOLTAGE	120-277 VAC
LUMINOUS FLUX (±10%)	3230 LM
EFFICACY(4000K RA80)	>85 LM/W
DIMMING	0-10V
CCT	5CCT SELECTABLE
CRI	>90
BEAM ANGLE	ZOOMABLE NARROW/MEDIUM
MATERIAL	DIE CASTING ALUMINUM
FINISH	WHITE/SILVER HAZE/CLEAR
OPTIONAL ACCESSORIES	WALL WASHER FILTER
REFLECTOR SIZE	4"/6"/8"/10"
LIFESPAN OF LED @TA=25°C	50000 HRS
WARRANTY	5 YEARS

### PRODUCT ORDERING GUIDE

EXAMPLE: INTEGRA PRO-4-N-V-W-WWF

SERIES	SIZE	BEAM ANGLE	DIMMING	FINISH	OPTIONS
INTEGRA PRO	4: 4 INCH 6: 6 INCH 8: 8 INCH 10: 10 INCH	N: 22°-36° M: 36°-60°	V: 0-10V N: NONE	C: CLEAR S: SILVER HAZE W: WHITE	WWF: WALL WASHER FILTER

### ACCESSORIES



Clear Reflector



Silver Haze Reflector



White Reflector



Wall Washer Filter

### FEATURES

#### ► Optics

Two field-adjustable, interchangeable precision optics to suit a variety of application needs. The medium optic provides 36° to 60° coverage, while the medium-narrow optic delivers a more focused light distribution with 22° to 36° coverage. An asymmetrical wall washer filter is also available.

#### ► Electrical

Voltage 120-277VAC

#### ► Environment & Certifications

cETL listed for dry locations

#### ► Warranty

5 years limited warranty

#### ► Trim Finish

The powder-coated finish ensures a uniform appearance, offering long-term durability and superior aesthetics.

#### ► Housing Material

Die-cast aluminum housing ensures durability and efficiency.

#### ► LED System

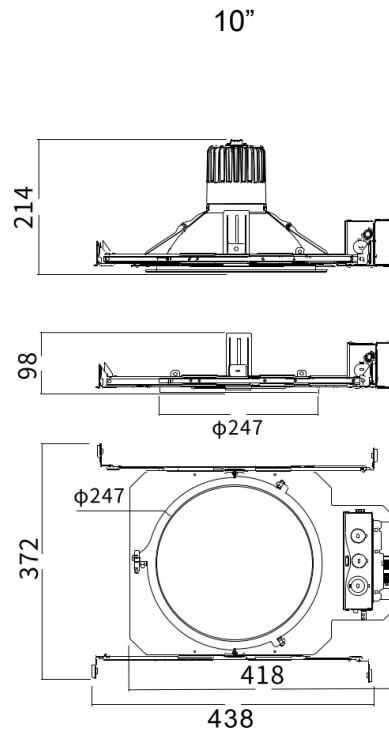
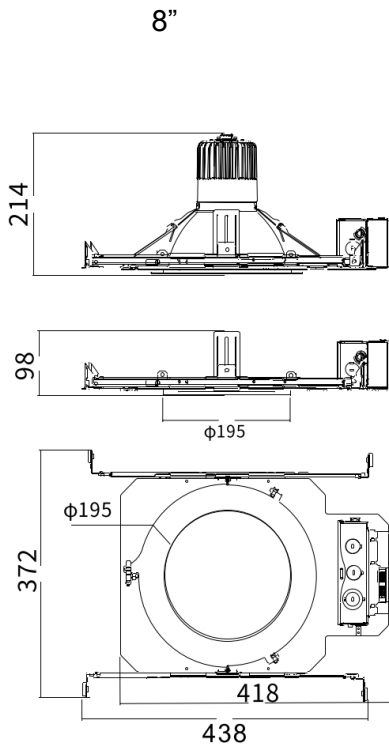
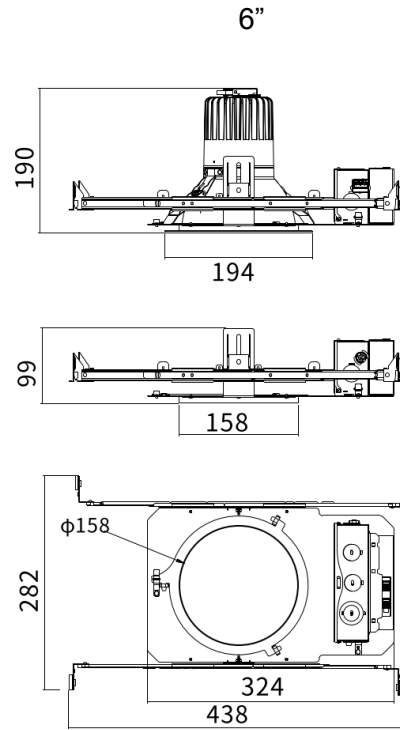
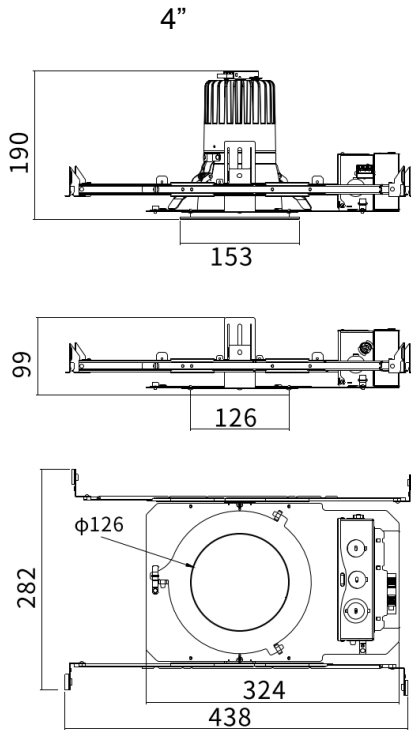
**CRI** With a 90+ color rendering index (CRI), this product delivers outstanding illumination, featuring tight chromatic specifications and a precise color binning process to ensure consistency in CRI and CCT.

**CCT** 5CCT selectable: 2700K, 3000K, 3500K, 4000K, 5000K with excellent color consistency.

# INTEGRA PRO

## COMMERCIAL DOWNLIGHT SPECIFICATIONS

### DIMENSIONS



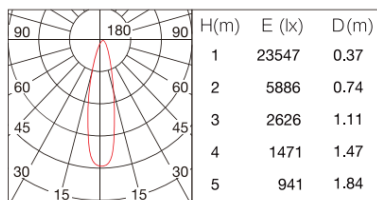
# INTEGRA PRO

## COMMERCIAL DOWNLIGHT SPECIFICATIONS

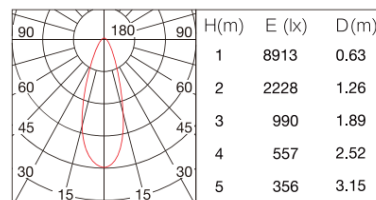


### DISTRIBUTION

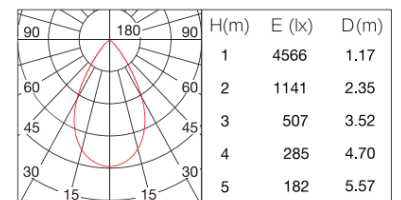
15°-38W-3000K-90CRI



36°-38W-3000K-90CRI

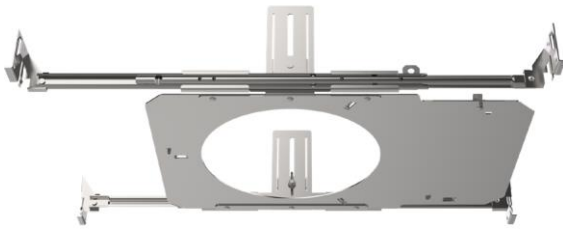


60°-38W-3000K-90CRI



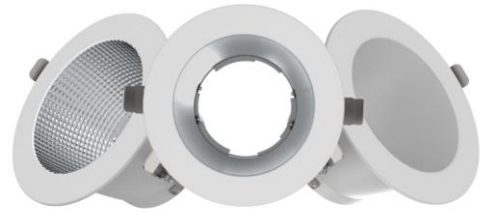
# INTEGRA PRO

## COMMERCIAL DOWNLIGHT SPECIFICATIONS



### THE MODULAR FRAME

Designed for new construction applications, the galvanized frame offers a practical and durable solution. It features T-Grid compatible swivel feet and interchangeable frame collars to accommodate both 4" and 6" reflectors. Each hanger bar extends up to 24.75" and provides 2" of vertical adjustment for precise placement.



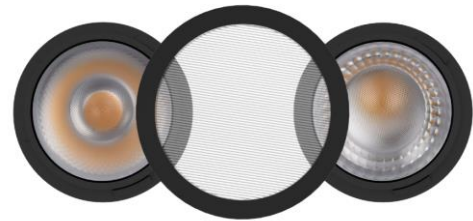
### GALVANIZED FRAME

Ideal for new construction applications, the galvanized frame provides a durable and practical solution. It features T-Grid compatible swivel feet and interchangeable frame collars to support both 4" and 6" reflectors. Each hanger bar extends up to 24.75" and offers 2" of vertical adjustment for precise positioning.



### REMOTE DRIVER

The remote driver with attached junction box features the latest in LED technology, offering three selectable wattage settings and five color temperature options. It delivers up to 3,800 lumens with a CRI of 94 and an R9 value of 60, ensuring exceptional light quality. Reds appear more vibrant and blues more accurate, providing outstanding color rendering. The dual-voltage driver operates at 120–277 volts and supports full-range 0–10V dimming. For installation flexibility, the driver and junction box combo can be mounted directly to the frame for new construction or secured to the nearest joist or stud for remodel applications.



### WALL WASHER FILTER

For precise directional lighting, the wall wash filter can be attached to either the Medium or Medium-Narrow optic. The advanced optical design enables you to achieve the ideal beam angle to highlight artwork and architectural features—without the need to replace the reflector trim. Simply snap on the wall wash filter and rotate it to your preferred orientation. It's that easy. For optimal results, we recommend pairing it with the Medium-Narrow optic for a more refined light distribution.



### THE BUTTERFLY BRACKET

Designed for new construction applications, the galvanized frame offers a practical and durable solution. It includes T-Grid compatible swivel feet and interchangeable frame collars to accommodate both 4" and 6" reflectors. Each hanger bar extends up to 24.75" and provides 2" of vertical adjustment for precise positioning.



### ADJUSTABLE BEAM

The modular system offers two field-adjustable, interchangeable precision optics to suit a variety of application needs. The medium optic provides 36° to 60° coverage, while the medium-narrow optic delivers a more focused light distribution with 22° to 36° coverage. Adjusting the optics is as simple as a twist — similar to operating a high-end camera lens. Each optic attaches directly to the Reflector Trim with a quick turn that locks it securely in place. An asymmetrical wall washer filter is also available.

### Specification Meets Simplicity

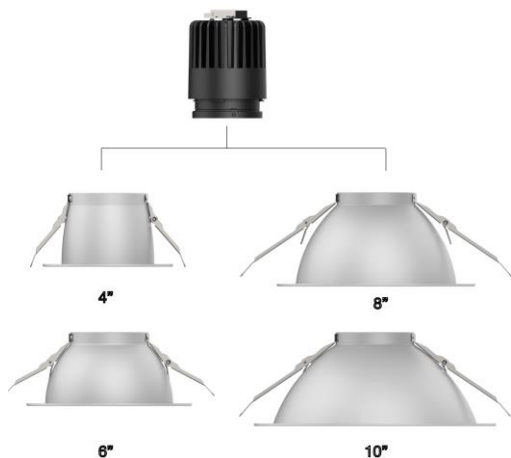
We've streamlined the configuration process by focusing on core components, making it easier to build your preferred system with fewer steps.

### Universal Frame Compatibility

Included collar adapters allow the same frame to support both 4" and 6" systems, with a separate frame available for 8" and 10" sizes. Integrated selectable wattage and color temperature settings enable customized lighting.

### Adjustable Optics

Each optic offers a selectable range of light distribution, easily adjusted with a simple turn of the lens.



### Reflector Options

Choose from clear specular, haze, or white reflectors in both 4" and 6" sizes. A dedicated frame supports 8" and 10" reflectors.

### Additional Features

**Wall Wash Lens:** Attaches to the optic for refined directional lighting.

**Butterfly Bracket:** Provides flexible mounting options.

**Emergency Battery Backup**

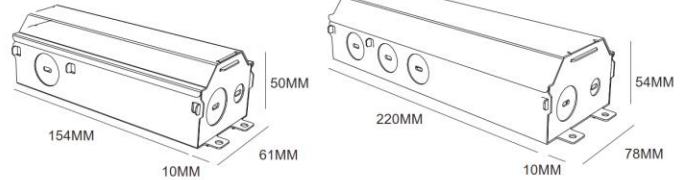
### LED Downlight Driver

Installation Instructions-Type Non-IC

## IMPORTANT SAFETY INSTRUCTIONS

Read And Follow All Safety Instructions:

Type Non-IC Recessed  
Access above ceiling required  
Inherently protected  
Suitable for dry location



- Turn off electrical power before modifying the lighting system in any way.
- Do not install while power leads are energized.
- Install per national installation and accidental prevention regulations.
- The side clearance between the edge of the metal box and parts of the building must be at least 50mm.
- Do not conceal or extend exposed conductors through a building wall.
- Do not install the system in wet locations.
- To reduce the risk of fire and burns, do not install this lighting system where the exposed bare conductors can be shorted or contact any conductive materials.
- To reduce the risk of fire and overheating, make sure all connections are tight.
- Do not install any luminaire closer than 6 in (152 mm) from any curtain, or similar combustible materials.

