

GS02, GS02S

GARDEN SPOTLIGHT SPECIFICATIONS



GS02



GS02S

Job Information	
Project Name	
Type	
Location	
Quantity	
Date	

DESCRIPTION

This durable garden spotlight delivers focused illumination with a sleek, shielded square design that minimizes glare and enhances outdoor aesthetics. Operating on 24VDC, it provides energy-efficient lighting at 60 lumens per watt, making it an ideal choice for eco-conscious landscape applications.

Designed for soil installation, it includes an optional spike mount for easy setup and repositioning. The fixture also features a built-in moisture trap that effectively prevents internal fogging, ensuring clearer performance and a longer lifespan even in humid outdoor environments.

OVERVIEW

- Versatile mounting options
- 60W to 200W noise-free and flicker-free drivers, TRIAC/120V, DALI, or 1-10V/100-277V
- True color – 80 CRI, produces outstanding illumination
- RGBW option / color changing, RGWB control with DMX512

PERFORMANCE

MODEL NAME	GS02, GS02S		
POWER CONSUMPTION(±10%)	3 W / 5 W	3 W	4 W
INPUT VOLTAGE	24 VDC		
LUMINOUS FLUX (±10%)	180 LM / 300 LM	120 LM	120 LM
EFFICACY(4000K RA80)	60 LM/W	40 LM/W	30 LM/W
DIMMING	TRIAC/0-10V/DALI	DMX51/DMX512	DMX512
CCT	2700K/3000K/4000K/5700K	RGB	RGBW(3000K/4000K)
CRI	>80		
BEAM ANGLE	10°/24°/41°/50°	25°/42°/56°	25°/42°/56°
ADJUSTMENT RANGE	≤160°		
MATERIAL	DIE CASTING ALUMINUM, TEMPERED GLASS		
FINISH	DARK GREY/SANDED BLACK		
OPTIONAL ACCESSORIES	SPIKE		
LENS OPTIONS	CUT-OFF TUBE/CROSS LOUVER		
POWER CORD LENGTH	0.5M RUBBER CABLE, UP TO 8M OPTIONAL 2*1.0mm ² (ON/OFF, 0-10V, DALI) 2*1.0mm ² +3*0.5mm ² (DMX512)	0.5M RUBBER CABLE, UP TO 8M OPTIONAL 2*1.0mm ² +3*0.5mm ² (DMX512)	0.5M RUBBER CABLE, UP TO 8M OPTIONAL 2*1.0mm ² +3*0.5mm ² (DMX512)
IP RATING	IP65		
IK RATING	IK06		
OPERATING TEMPERATURE	-20°C TO + 55°C(-4°F TO 131°F)		
LIFESPAN OF LED @TA=25°C	50000 HRS		
WARRANTY	5 YEARS		

PRODUCT ORDERING GUIDE

EXAMPLE: GS02S-5-50-L-2700-80-V-G-S-PC-800

SERIES	WATTAGE(W)	BEAM ANGLE	LENS	CCT	CRI	DIMMING	FINISH	OPTIONS
GS02	3	10°	L: CROSS LOUVER	2700	80	T: TRIAC	G: DARK GREY	S: SPIKE
GS02S	5	22°	C: CUT-OFF TUBE	3000		V: 0-10V	B: SANDED BLACK	PC-X ⊕
		41°		4000		D: DALI		
		50°		5700				
GS02	3	25°	L: CROSS LOUVER	RGB	80	X: DMX512	G: DARK GREY	S: SPIKE
GS02S		42°	C: CUT-OFF TUBE				B: SANDED BLACK	PC-X ⊕
		56°						
GS02	4	25°	L: CROSS LOUVER	RGBW3K	80	X: DMX512	G: DARK GREY	S: SPIKE
GS02S		42°	C: CUT-OFF TUBE	RGBW4K			B: SANDED BLACK	PC-X ⊕
		56°						

NOTES:

⊕ THE MAXIMUM OPTIONAL LENGTH OF CORD CAN BE UP TO 800CM. THE STANDARD LENGTH IS 50CM. SPECIFY THE OPTIONAL LENGTH IN CM IN PLACE OF "X."

OPTIONAL ACCESSORIES



BUILT-IN CUT-OFF TUBE



BUILT-IN CROSS LOUVER



PLASTIC SPIKE

FEATURES

► Optics

Cutting-edge optics ensure quality lighting. Built in cut-off tube or cross louver lens can be ordered.

► Electrical

Voltage: 24 VDC

► Environment & Certifications

cETL listed for wet locations

► Warranty

5 years limited warranty

► Finish

The powder-coated finish ensures a uniform appearance, offering long-term durability and superior aesthetics.

► Housing Material

Die-cast aluminum housing ensures durability and efficiency, Heat tempered transparent glass lens provides higher efficiency.

► LED System

CRI With an 80 color rendering index (CRI), this product delivers outstanding illumination, featuring tight chromatically specifications and a precise color binning process to ensure consistency in CRI and CCT.

CCT Available in RGBW, or single CCT: 2700K, 3000K, 4000K, and 5700K, with excellent color consistency.

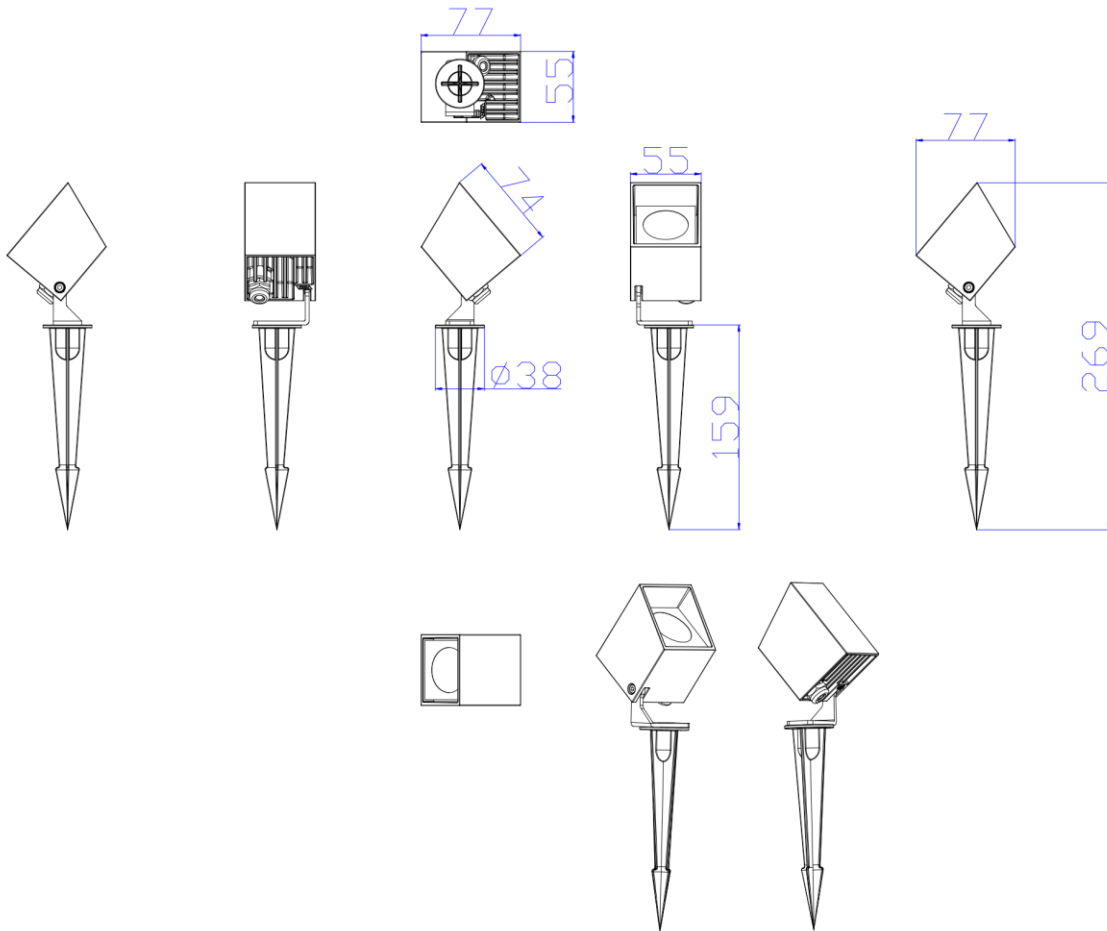
► Mounting

Spike accessory is available for order.

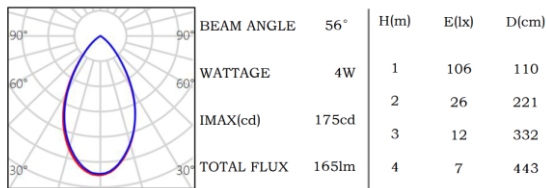
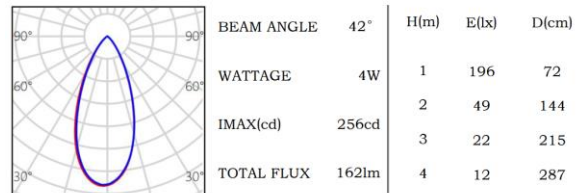
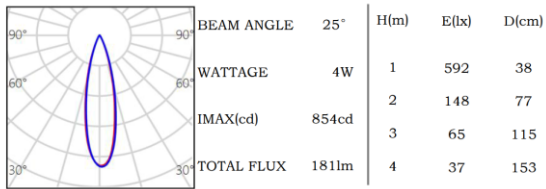
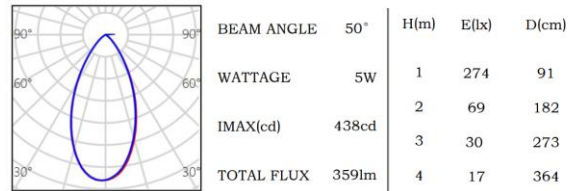
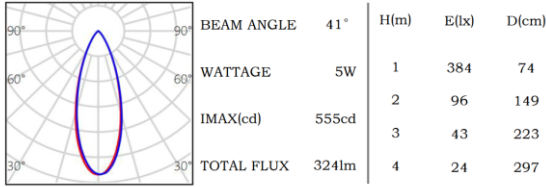
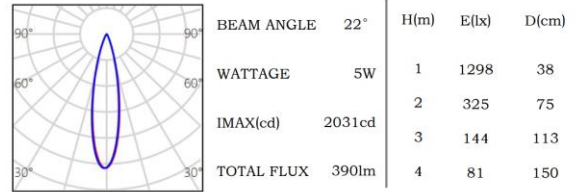
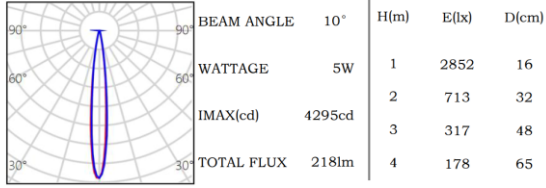
GS02, GS02S

GARDEN SPOTLIGHT SPECIFICATIONS

DIMENSIONS (mm)

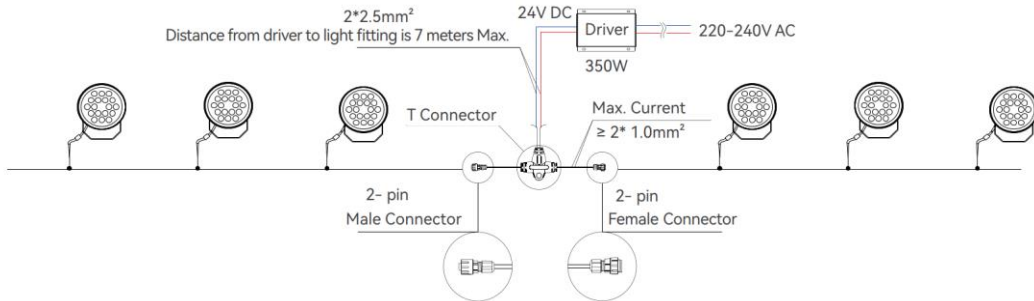


PHOTOMETRIC INFORMATION



WIRING DIAGRAMS

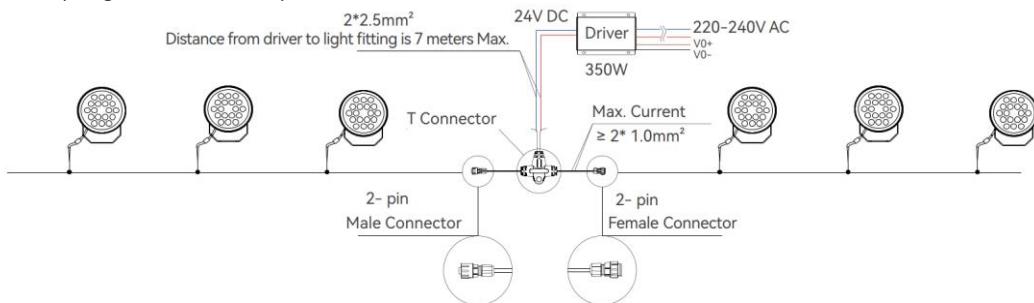
ON/OFF (Single CCT)



Remarks:

Driver is recommended to be installed in the middle of lights, the lights are on two sides, total length of each side is 10m Max. and total wattage of each side shall be less than 140W

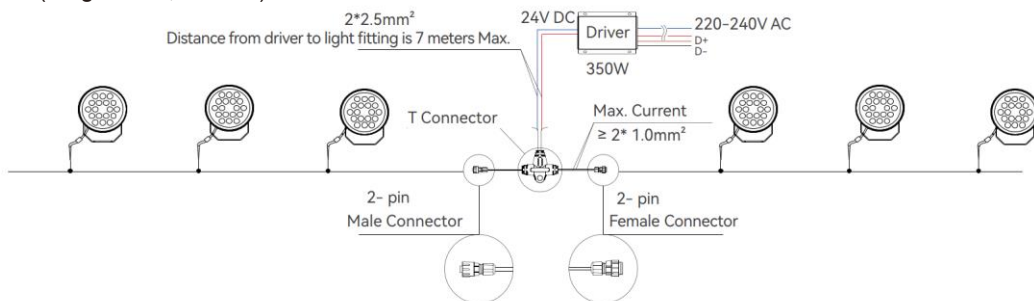
0-10V (Single CCT, DC24V)



Remarks:

Driver is recommended to be installed in the middle of lights, the lights are on two sides, total length of each side is 10m Max. and total wattage of each side shall be less than 140W

DALI (Single CCT, DC24V)



Remarks:

Driver is recommended to be installed in the middle of lights, the lights are on two sides, total length of each side is 10m Max. and total wattage of each side shall be less than 140W

