

# SPOT- X - JUNIOR

## JUNIOR MAGNETIC TRACK HEAD SPECIFICATIONS



### Job Information

Project Name	
Type	
Location	
Quantity	
Date	

## DESCRIPTION

With a high degree of adjustability, including 355-degree rotation and tilt capabilities, this spotlight allows for precise control over the direction of the light beam, making it ideal for highlighting specific objects or areas. The magnetic base enables easy installation and repositioning along the track without the need for tools or screws, allowing for simple adjustments to the lighting setup as needed. The 90 CRI option produces outstanding illumination with tight chromaticity specification and color binning processes, ensuring CRI and CCT consistency. This spotlight can be used in various settings, including residential, commercial, and office spaces, making it perfect for accent lighting, highlighting architectural details, or creating a specific ambiance.

## OVERVIEW

- 355 degree rotation and tilt capability
- Plug and play arrangement in magnetic track
- 60W to 200W noise-free and flicker-free drivers, TRIAC/120V, DALI, or 1-10V/100-277V
- True color – 90 CRI, produces outstanding illumination

## PERFORMANCE

MODEL NAME	SPOT-X-J65	SPOT-X-J92
POWER CONSUMPTION(±10%)	8 W	15 W
INPUT VOLTAGE	24 VDC	
LUMINOUS FLUX (±10%)	255 LM	485 LM
EFFICACY(4000K RA80)	32 LM/W	32 LM/W
DIMMING	TRIAC/0-10V/DALI	
CCT	2700K/3000K/3500K/4000K/5000K	
CRI	80/90	
BEAM ANGLE	10°/20°/30°	10°/20°/30°
FINISH	POWDER COATING	
FIXTURE COLOR	SANDY BLACK/SANDY WHITE	
IP RATING	IP20	
OPERATING TEMPERATURE	-30°C TO + 50°C(-22°F TO 122°F)	
LIFESPAN OF LED @TA=25°C	L80 50000 HRS	
WARRANTY	3 YEARS	
APPLICATIONS	INDOORS	

# SPOT- X - JUNIOR

## JUNIOR MAGNETIC TRACK HEAD SPECIFICATIONS

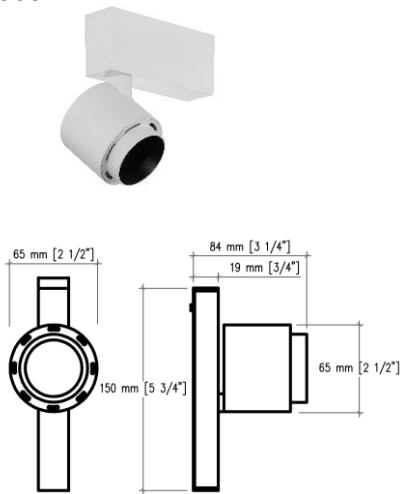
### PRODUCT ORDERING GUIDE

EXAMPLE: SPOT-X-J65-20-2700-90-V-B

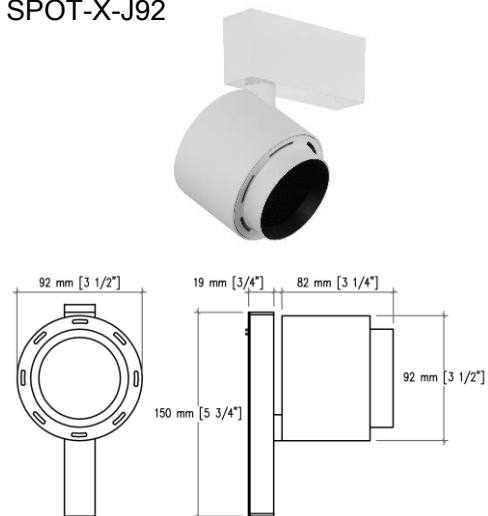
SERIES	BEAM ANGLE	CCT	CRI	DIMMING	FINISH
SPOT-X-J65	10°	2700	80	T: TRIAC	W: SANDY WHITE
SPOT-X-J92	20°	3000	90	V: 0-10V	B: SANDY BLACK
	30°	3500		D: DALI	
		4000			
		5000			

### DIMENSIONS

SPOT-X-J65



SPOT-X-J92



### FEATURES

#### ► Optics

The design enables 355-degree rotation and tilt capabilities. This allows for precise control over the direction of the light beam, and offering effective light control. Different beam angles available.

#### ► Electrical

Voltage	24 VDC
THD	<20%
Power Factor	>0.9

#### ► Environment & Certifications

cETL listed for dry locations

#### ► Warranty

3 years limited warranty

#### ► Chip

Powered by CREE high efficiency COB LED chip.

#### ► Finish

The powder-coated finish ensures a uniform appearance, offering long-term durability and superior aesthetics.

#### ► Housing Material

Die-cast aluminum housing ensures durability and efficiency, with heat resistance polycarbonate lens.

#### ► LED System

**CRI** With a choice of 80 or 90 color rendering index (CRI), this product delivers outstanding illumination, featuring tight chromatically specifications and a precise color binning process to ensure consistency in CRI and CCT.

**CCT** Available in 2700K, 3000K, 3500K, 4000K, 5000K, with excellent color consistency.

#### ► Mounting

Magnetic track installation allows easy plug and play rearrangement.

# SPOT- X - JUNIOR

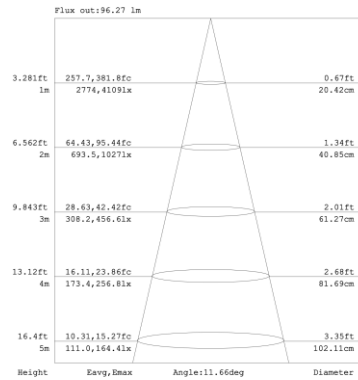
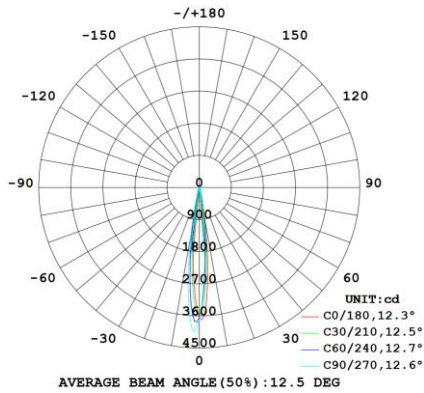
## JUNIOR MAGNETIC TRACK HEAD SPECIFICATIONS

### PHOTOMETRIC DIAGRAM, SPOT-X-J65, 3000K, 90Ra

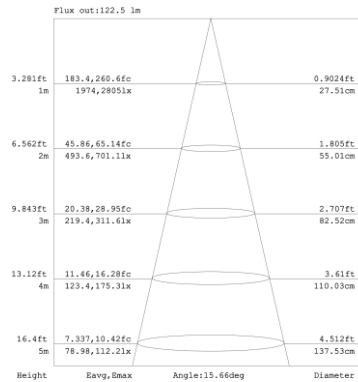
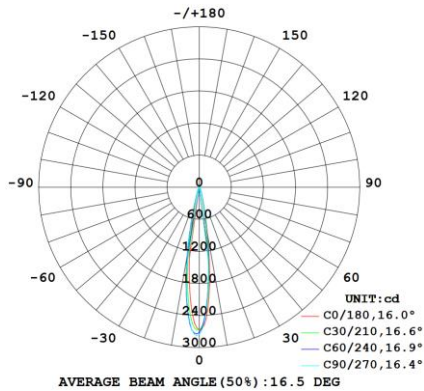
#### Polar Candela Distribution

#### Beam Details

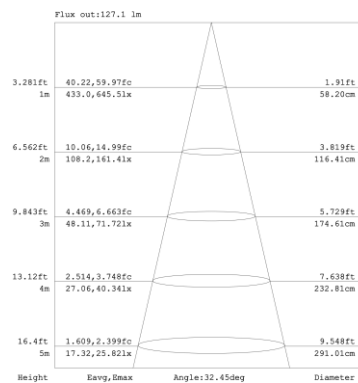
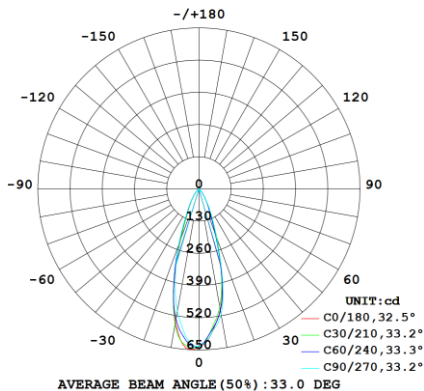
10°



20°



30°



# SPOT- X - JUNIOR

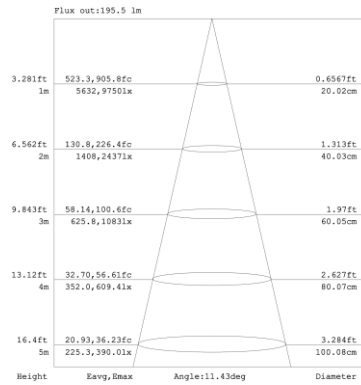
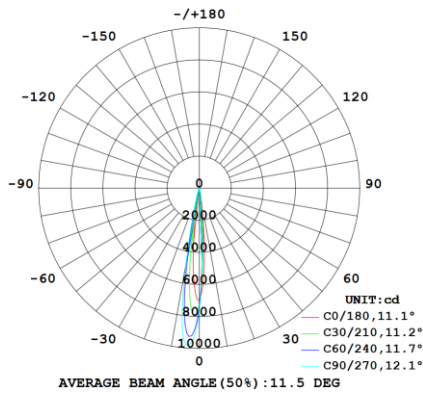
## JUNIOR MAGNETIC TRACK HEAD SPECIFICATIONS

### PHOTOMETRIC DIAGRAM, SPOT-X-J92, 3000K, 90Ra

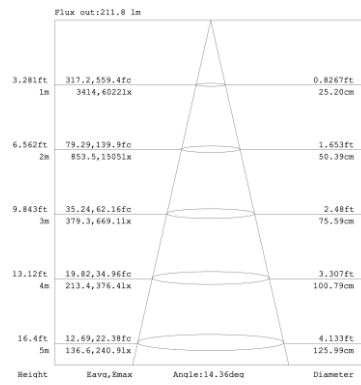
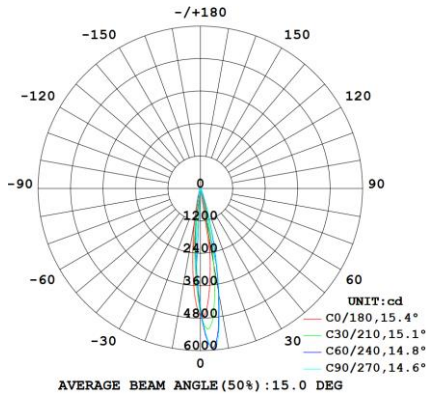
#### Polar Candela Distribution

#### Beam Details

10°



20°



30°

