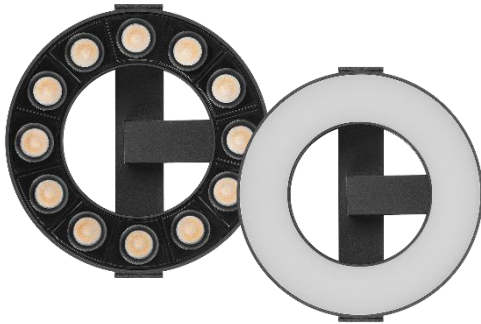


HALO - SENIOR

SENIOR MAGNETIC TRACK HEAD SPECIFICATIONS



Job Information	
Project Name	
Type	
Location	
Quantity	
Date	

OVERVIEW

- Plug and play arrangement in magnetic track
- Adjustable head with a 90° range of motion, allowing for versatile positioning and precise lighting control
- 60W to 200W noise-free and flicker-free drivers, TRIAC/120V, DALI, or 1-10V/100-277V
- True color – 90 CRI, produces outstanding illumination

DESCRIPTION

Halo series offer various optics that ensure quality lighting. These track heads feature an adjustable head with a 90° range of motion, allowing for versatile positioning and precise lighting control suitable for various applications. The magnetic base enables easy installation and repositioning along the track without the need for tools or screws, allowing for simple adjustments to the lighting setup as needed. The 90 CRI option produces outstanding illumination with tight chromaticity specifications and color binning processes, ensuring CRI and CCT consistency. This magnetic track head can be used in various settings, including residential, commercial, and office spaces.

PERFORMANCE

MODEL NAME	HALO-D12	HALO-L12	HALO-L16	HALO-D18
POWER CONSUMPTION(±10%)	12 W	12 W	18 W	18 W
INPUT VOLTAGE	24 VDC			
LUMINOUS FLUX (±10%)	470 LM	950 LM	690 LM	1565 LM
EFFICACY(4000K RA80)	39 LM/W	79 LM/W	38 LM/W	87 LM/W
DIMMING	TRIAC/0-10V/DALI			
CCT	2700K/3000K/3500K/4000K/5000K			
CRI	80/90			
BEAM ANGLE	20°/34°/48°	DIFFUSED	DIFFUSED	20°/34°/48°
FINISH	POWDER COATING			
FIXTURE COLOR	SANDY BLACK/SANDY WHITE			
IP RATING	IP20			
OPERATING TEMPERATURE	-30°C TO + 50°C(-22°F TO 122°F)			
LIFESPAN OF LED @TA=25°C	L80 50000 HRS			
WARRANTY	3 YEARS			
APPLICATIONS	INDOORS			

PRODUCT ORDERING GUIDE

EXAMPLE: HALO-D12-34-2700-90-V-B

SERIES	BEAM ANGLE	CCT	CRI	DIMMING	FINISH
HALO-D12	20°	2700	80	T: TRIAC	W: SANDY WHITE
HALO-D18	34°	3000	90	V: 0-10V	B: SANDY BLACK
	48°	3500		D: DALI	
		4000			
		5000			
HALO-L12	D: DIFFUSED	2700	80	T: TRIAC	W: SANDY WHITE
HALO-L16		3000	90	V: 0-10V	B: SANDY BLACK
		3500		D: DALI	
		4000			
		5000			

FEATURES

► Optics

Halo series offer various optics that ensure quality lighting. These track heads feature adjustable head with a 90° range of motion, which allows for versatile positioning and precise lighting control. Beam angles available in 12°, 34°, 48° or diffused.

► Electrical

Voltage 24 VDC
THD <20%
Power Factor >0.9

► Environment & Certifications

cETL listed for dry locations

► Warranty

3 years limited warranty

► Chip

Powered by Osram high efficiency COB LED chip.

► Finish

The powder-coated finish ensures a uniform appearance, offering long-term durability and superior aesthetics.

► Housing Material

Die-cast aluminum housing ensures durability and efficiency, with heat resistance polycarbonate lens.

► LED System

CRI With a choice of 80 or 90 color rendering index (CRI), this product delivers outstanding illumination, featuring tight chromatically specifications and a precise color binning process to ensure consistency in CRI and CCT.

CCT Available in 2700K, 3000K, 3500K, 4000K, 5000K, with excellent color consistency.

► Mounting

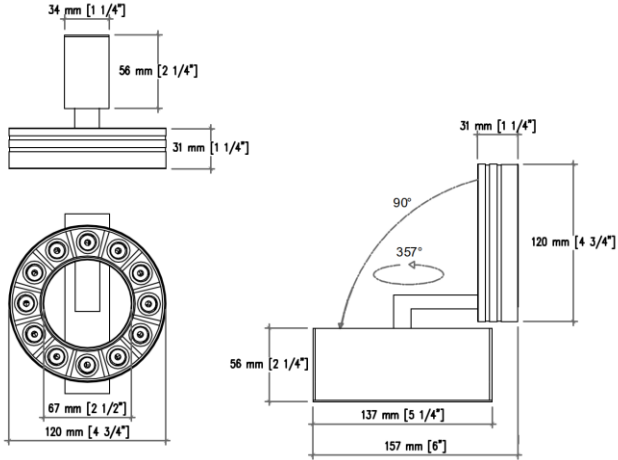
Magnetic track installation allows easy plug and play rearrangement.

HALO - SENIOR

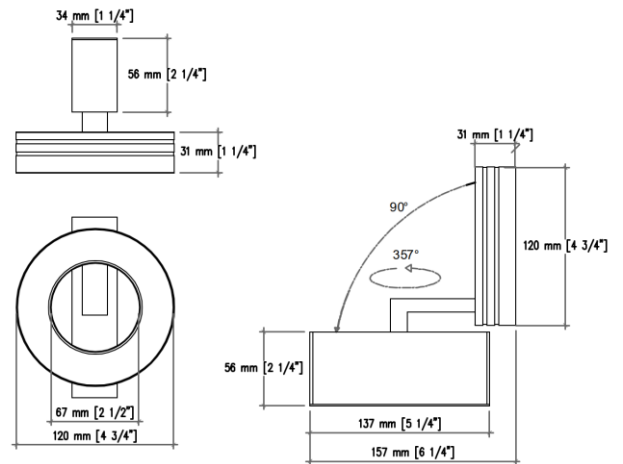
SENIOR MAGNETIC TRACK HEAD SPECIFICATIONS

DIMENSIONS

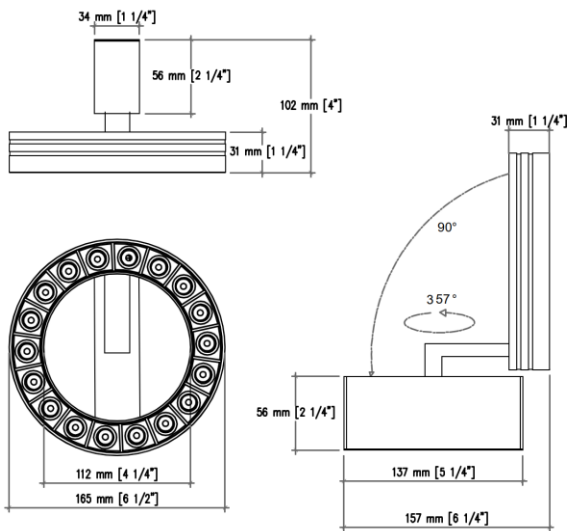
HALO-D12



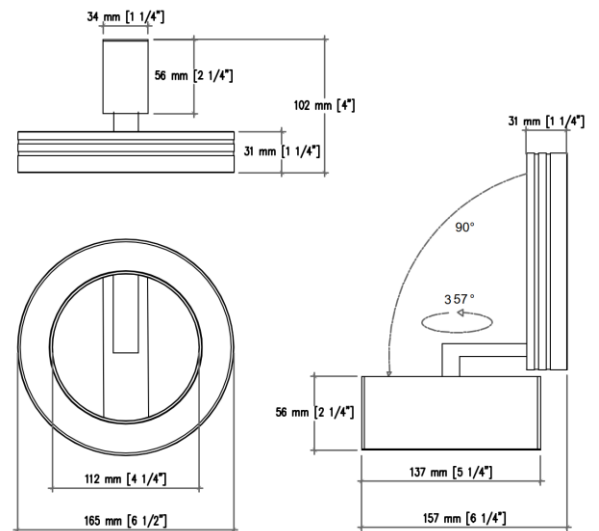
HALO-L12



HALO-D18



HALO-L16



HALO - SENIOR

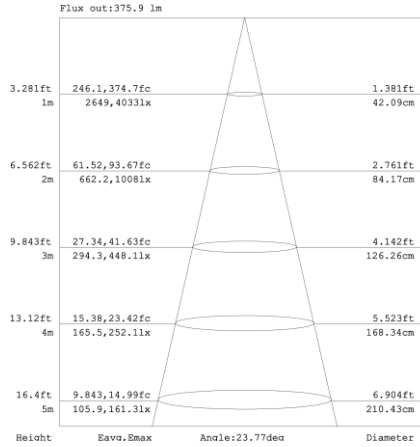
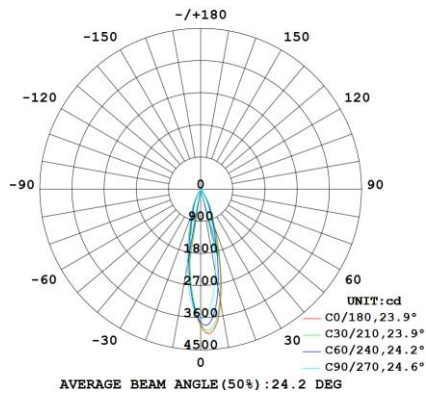
SENIOR MAGNETIC TRACK HEAD SPECIFICATIONS

PHOTOMETRIC DIAGRAM, HALO-D12, 3000K, 90Ra

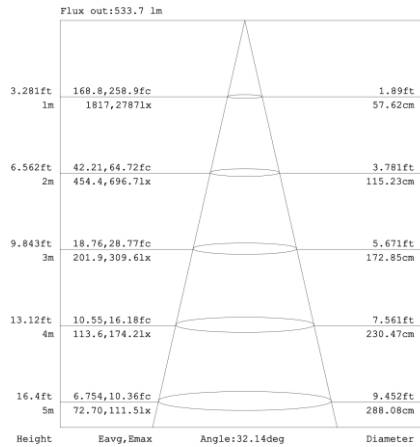
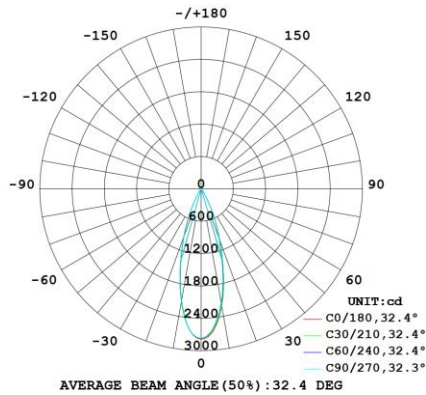
Polar Candela Distribution

Beam Details

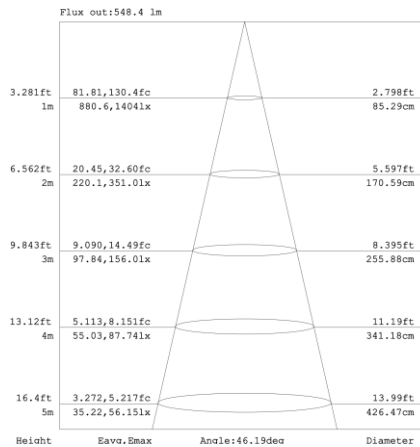
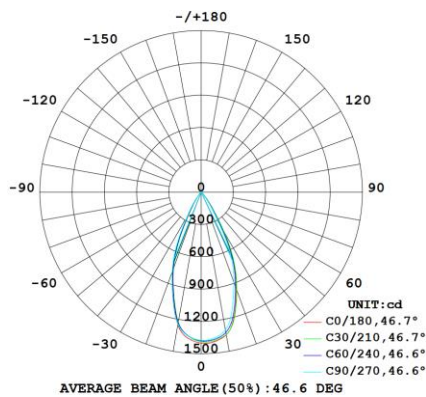
20°



34°



48°



HALO - SENIOR

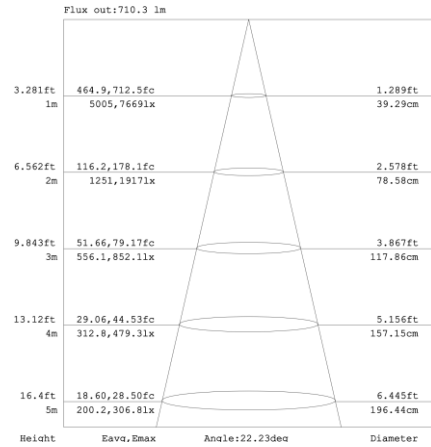
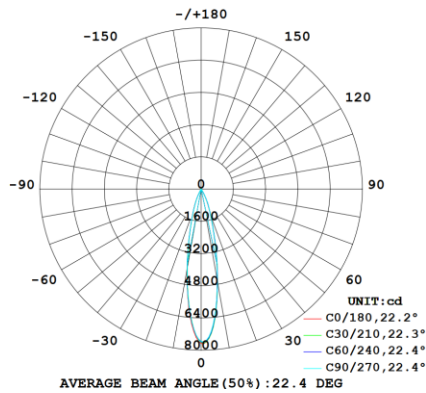
SENIOR MAGNETIC TRACK HEAD SPECIFICATIONS

PHOTOMETRIC DIAGRAM, HALO-D18, 3000K, 90Ra

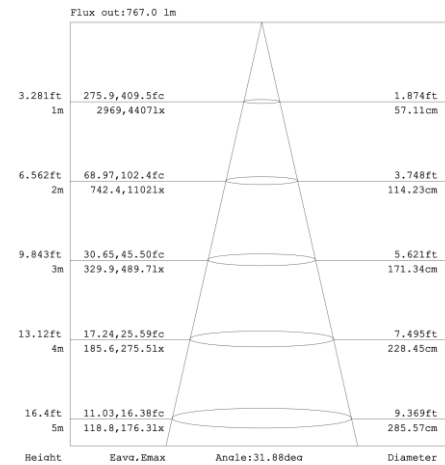
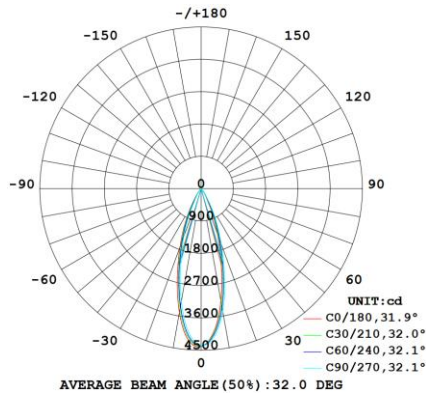
Polar Candela Distribution

Beam Details

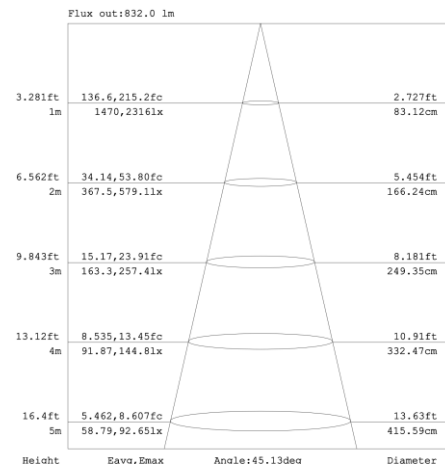
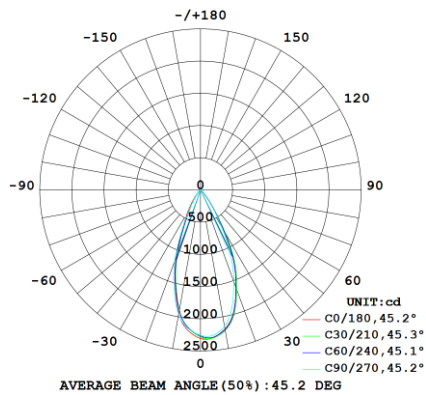
20°



34°



48°



HALO - SENIOR

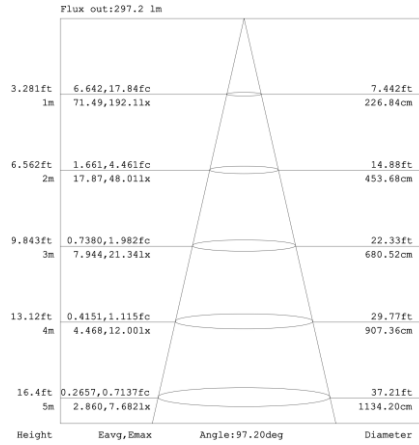
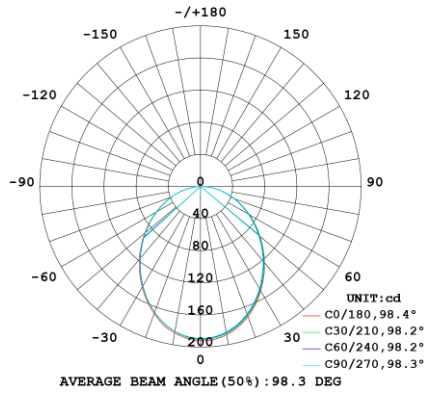
SENIOR MAGNETIC TRACK HEAD SPECIFICATIONS

PHOTOMETRIC DIAGRAM, HALO-L12, HALO-L16, 3000K, 90Ra

Polar Candela Distribution

Beam Details

HALO-L12



HALO-L16

