

LUNOR

TRIM/TRIMLESS DOWNLIGHT SPECIFICATIONS



Job Information	
Project Name	
Type	
Location	
Quantity	
Date	

DESCRIPTION

With one light engine and various accessories, you can precisely choose the right light fixture for your project. It provide you with high quality, cost effective LED lighting in practically any space. Its broad compatibility simplifies the specification process and makes installing or replacing the light and accessories fast and tool-free. 90+ CRI option, produces outstanding illumination at a tight chromaticity specification and color binning process to ensure CRI and CCT consistency. It is best-in-class quality down-lighting for retrofit or new construction applications. With industry-leading performance, it can provide a solution for any project - commercial, corporate, or residential installations. Whatever your needs, there's a perfect match for your project.

OVERVIEW

- Quality - Powered by Osram high efficiency COB LED chip
- Flexibility - Split design of led light engine, lens, trim and driver, seamless integration
- Compatibility – Optional flicker-free TRIAC/120V or 1-10V/100-277V true color - 90+ CRI, produces outstanding illumination
- Adjustable beam, fixed beam, or wall-washer beam is available.

PERFORMANCE

MODEL NAME	LUNOR
POWER CONSUMPTION(±10%)	Varies Based on Size
INPUT VOLTAGE	120VAC/100-277VAC
DIMMING	TRIAC/0-10V
CCT	2700/3500/3000/4000K
CRI	80/90
UGR LEVEL	<19
MOUNTING OPTION	Trim/Trimless Recessed
FINISH	Powder Coating
FIXTURE COLOR	Black/ White
TRIM COLOR	Black/ White
OPTICS ACCESSORY OPTION	Honeycomb/Lens/IP44 Lens
IP RATING	IP20
APPLICATIONS	Indoors
OPERATION TEMPERATURE	-30°C TO + 50°C(-22°F TO 122°F)
CERTIFICATIONS	cETL Listed
WARRANTY	5 Years
LIFE TIME OF LED @TA=25°C	50000 HRS LM80 ANSI/IES



SPECIFICATIONS

■ OPTICS

Smart mechanical design features precise angle alignment. With adjustable option you can choose the beam angle to your liking. Precision engineered adjustment mechanism achieves accurate angle alignment. Fixed beam or asymmetrical beam is also available.

■ ELECTRICAL

Voltage: 120VAC / 100-277VAC

■ ENVIRONMENT & CERTIFICATIONS

cETL listed for dry locations

■ WARRANTY

5 years limited warranty

■ MOUNTING

Installed easily and securely in the ceiling, using two screw fixing mechanisms. Applying to 1/2"-1" (12-25mm) thickness ceiling and to 1/32"-1/2" (1-12mm) thickness ceiling with a fallen clip.

■ FINISH

The powder-coated finish ensures a uniform appearance, offering long-term durability and superior aesthetics.

■ HOUSING MATERIAL

Die-cast aluminum housing ensures durability and efficiency, with heat resistance polycarbonate lens.

■ LED SYSTEM

CRI With a choice of 80 or 90 color rendering index (CRI), this product delivers outstanding illumination, featuring tight chromatically specifications and a precise color binning process to ensure consistency in CRI and CCT.

CCT Available in 2700K, 3000K, 3500K, 4000K with excellent color consistency.

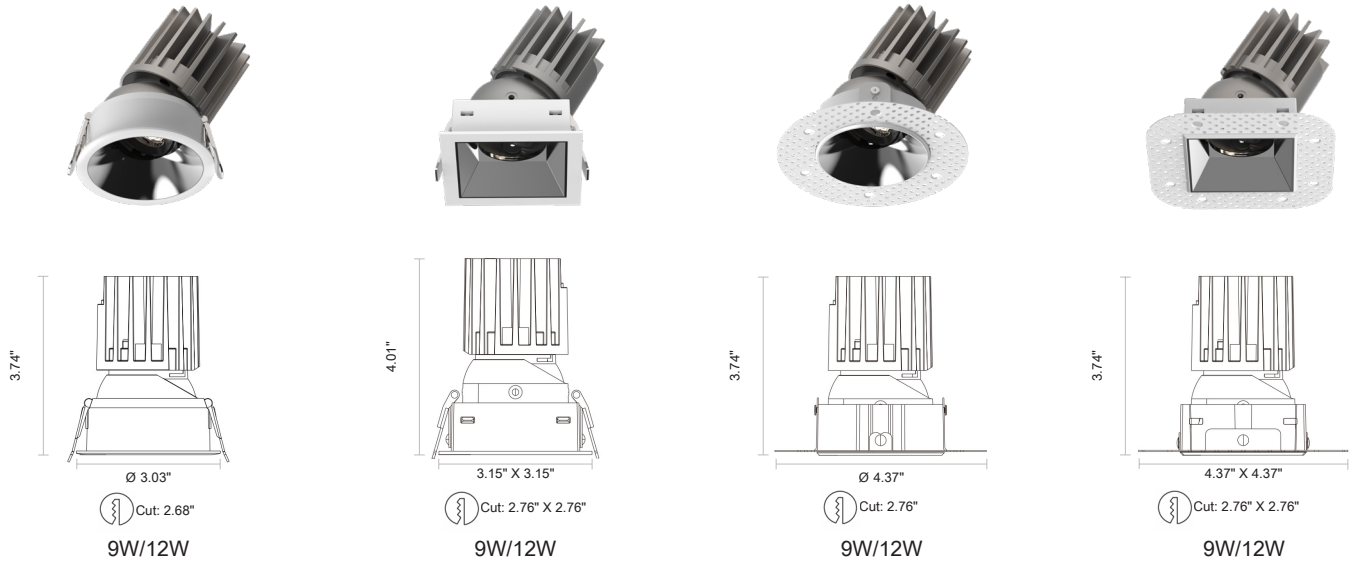
PRODUCT MODELS & DIMENSIONS

ADJUSTABLE VERSION

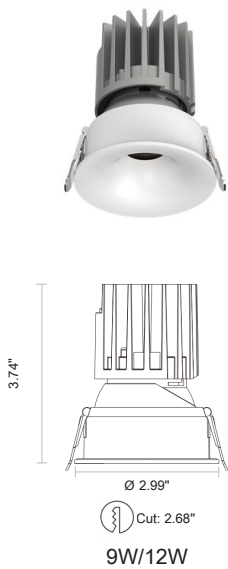
SIZE: 3"

Standard Trim

Trim Less Kit



IP65 Trim

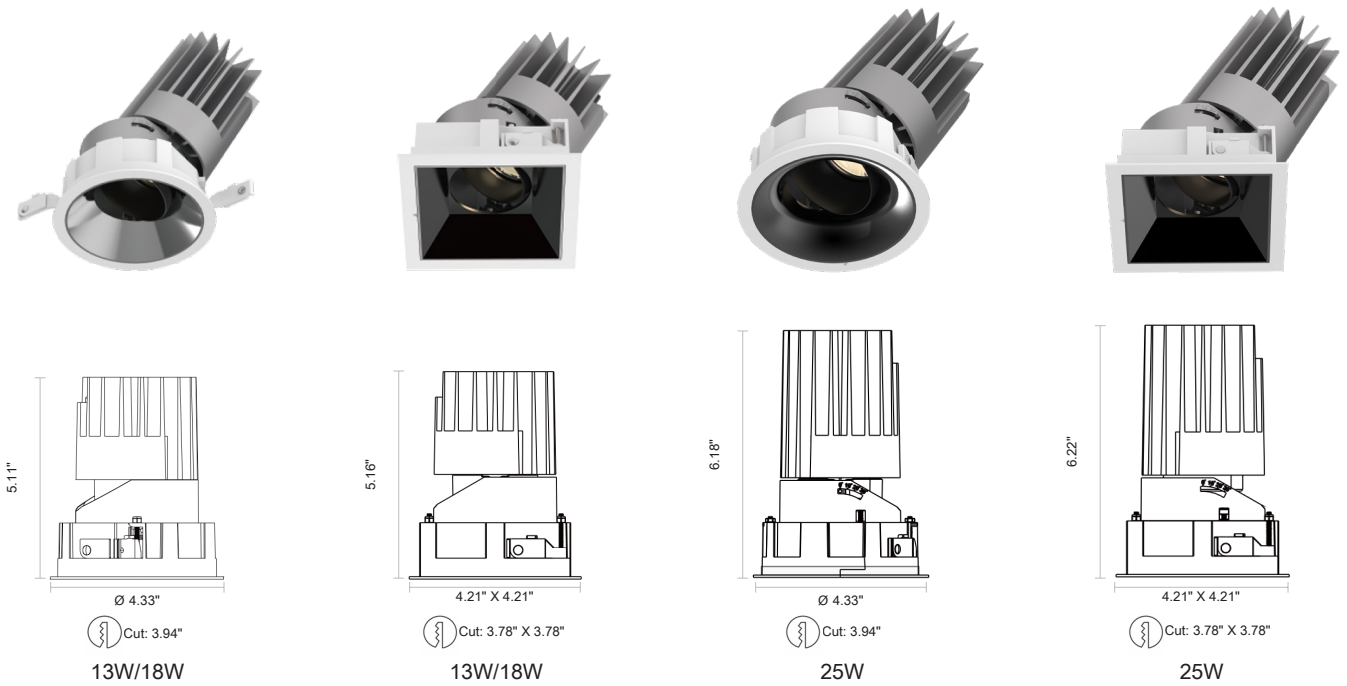


PRODUCT MODELS & DIMENSIONS

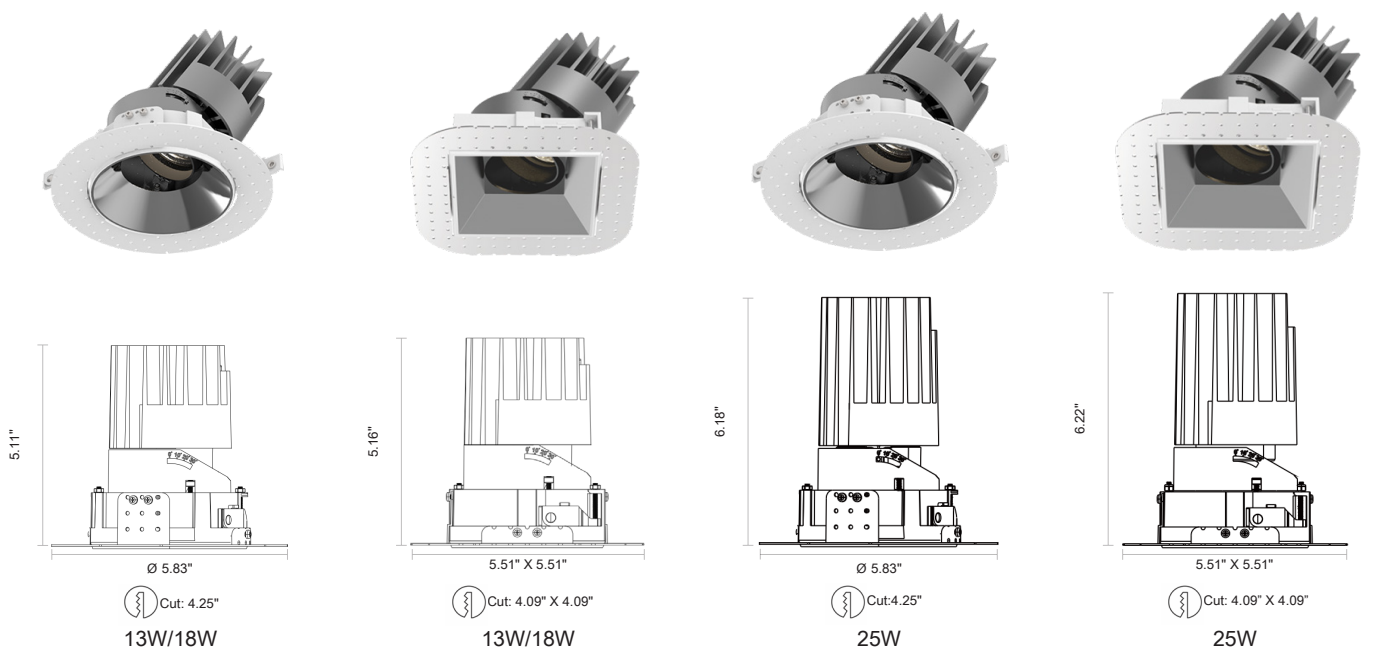
ADJUSTABLE VERSION

SIZE: 4"

Standard Trim



Trim Less Kit



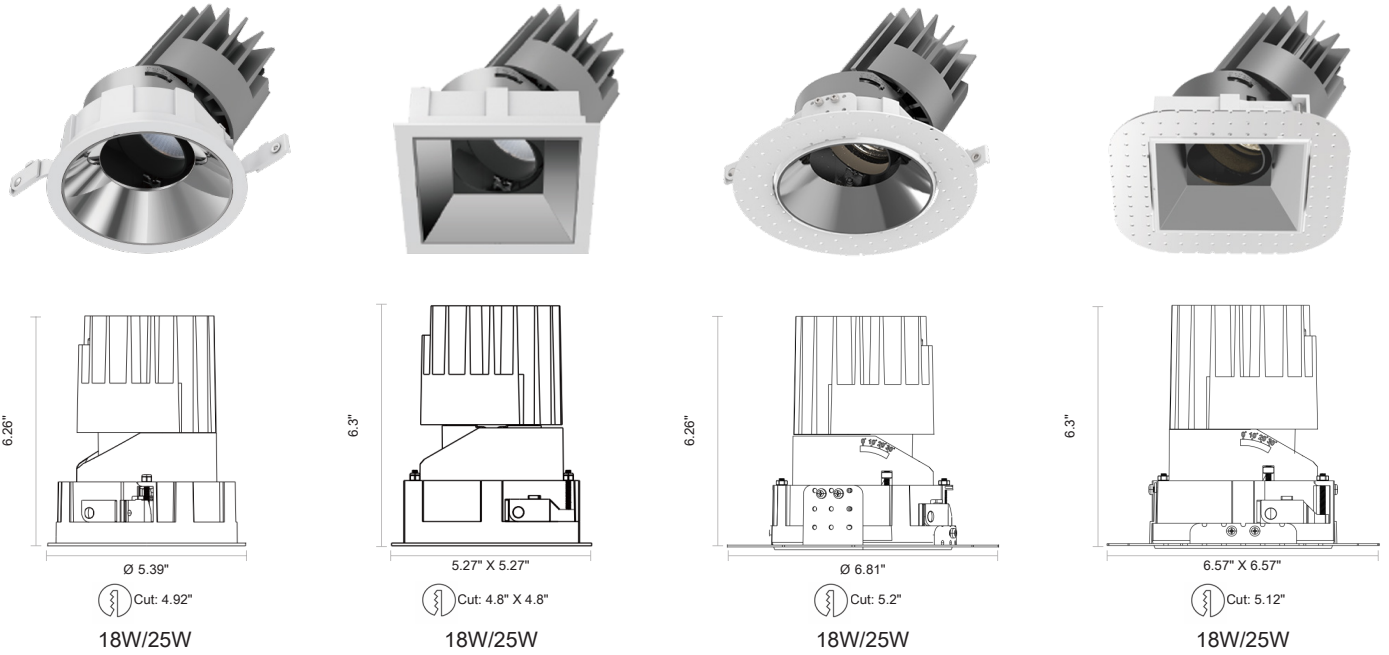
PRODUCT MODELS & DIMENSIONS

ADJUSTABLE VERSION

SIZE: 5"

Standard Trim

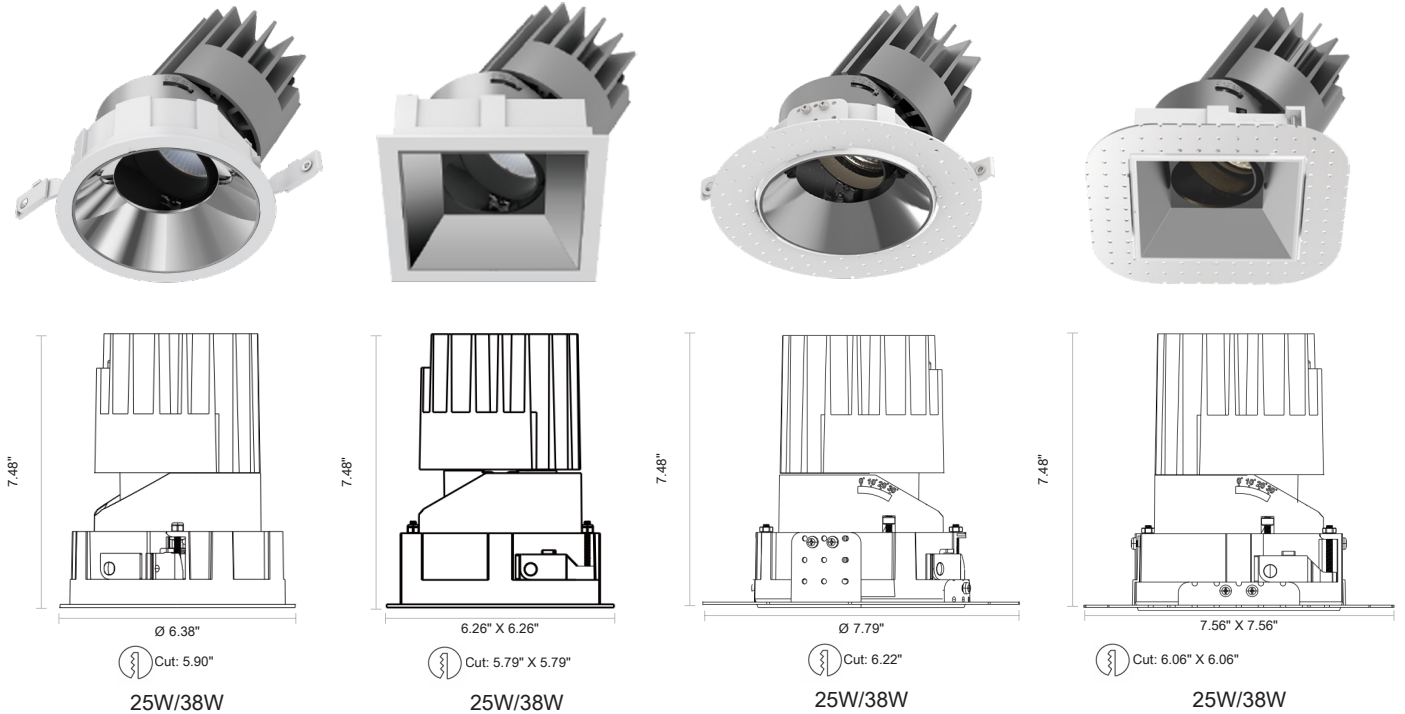
Trim Less Kit



SIZE: 6"

Standard Trim

Trim Less Kit

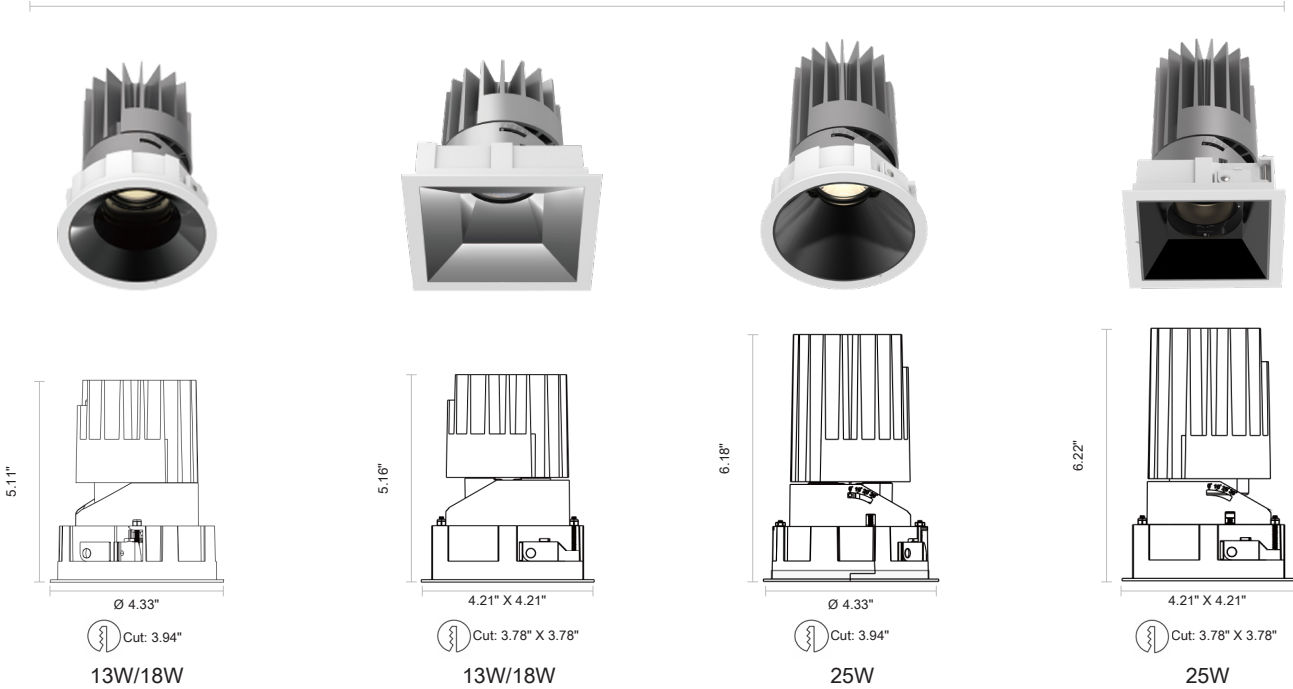


PRODUCT MODELS & DIMENSIONS

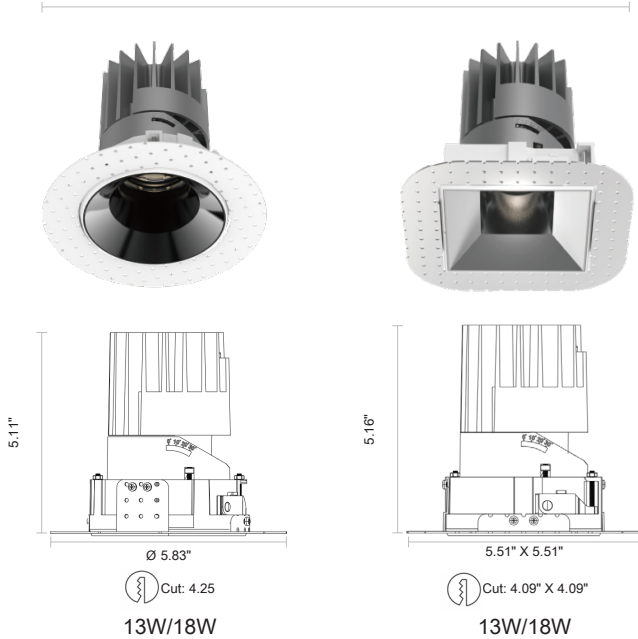
FIXED VERSION

SIZE: 4"

Standard Trim



Trim Less Kit



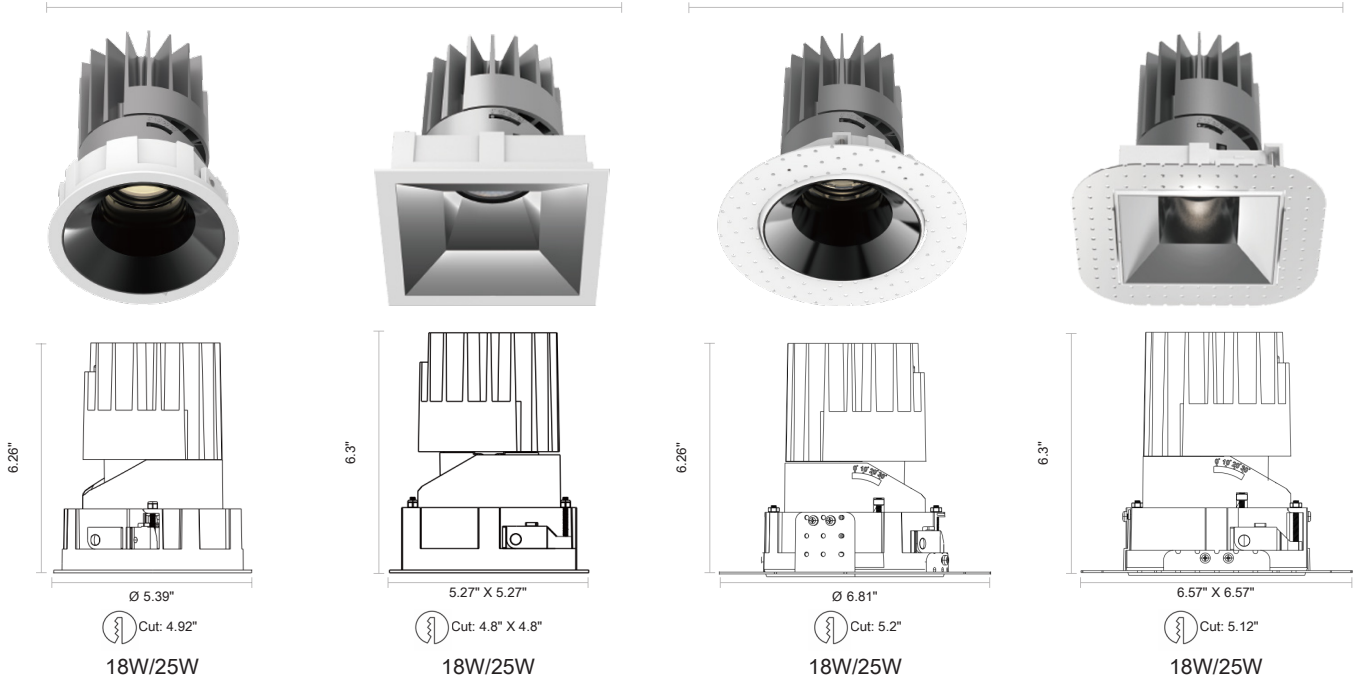
PRODUCT MODELS & DIMENSIONS

FIXED VERSION

SIZE: 5"

Standard Trim

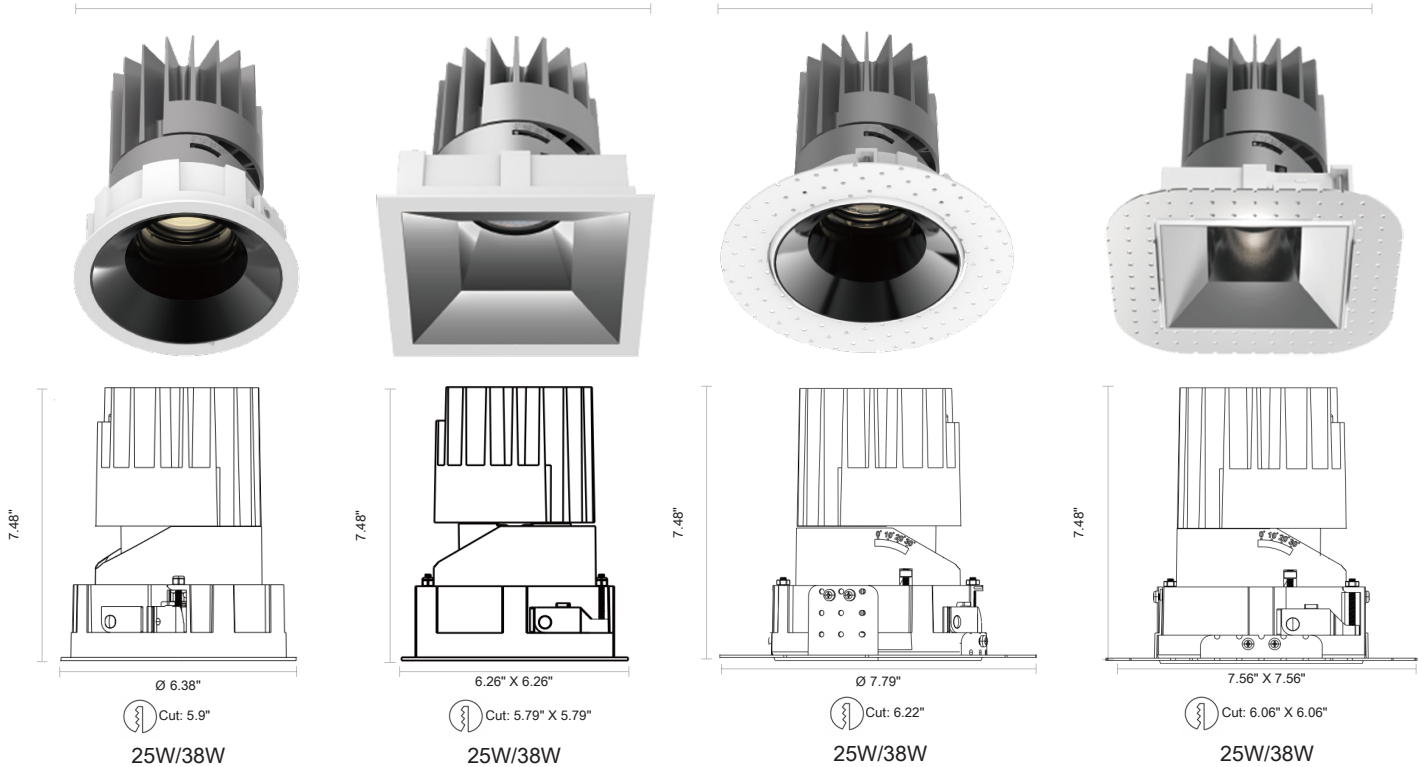
Trim Less Kit



SIZE: 6"

Standard Trim

Trim Less Kit



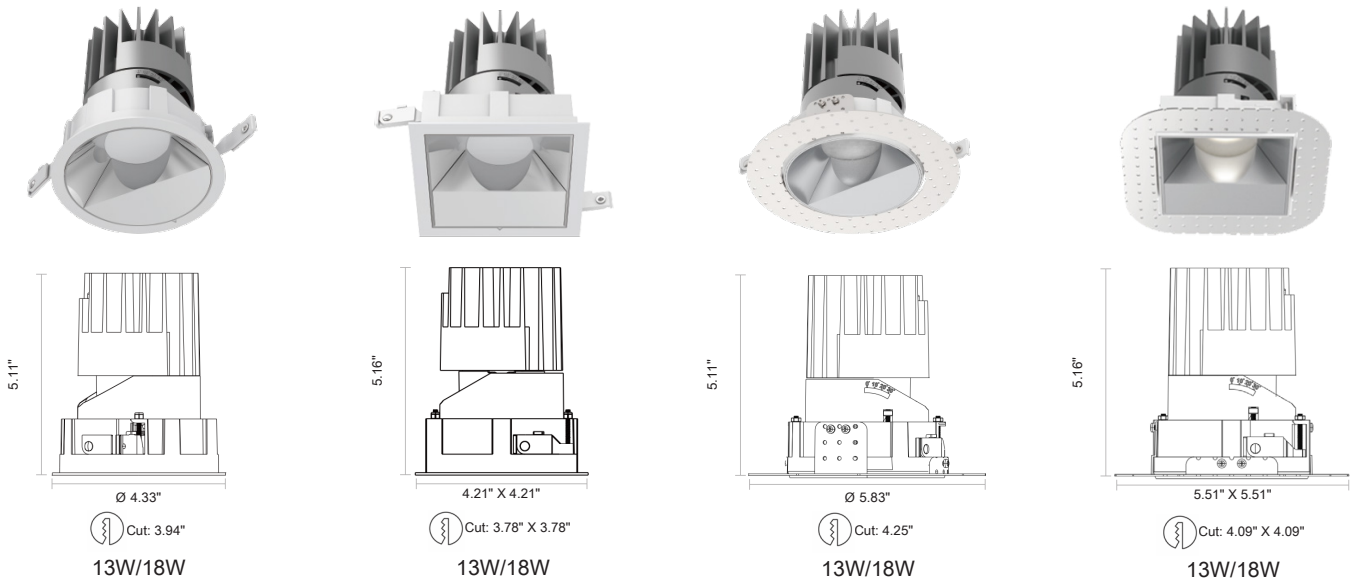
PRODUCT MODELS & DIMENSIONS

WALL WASHER VERSION

SIZE: 4"

Standard Trim

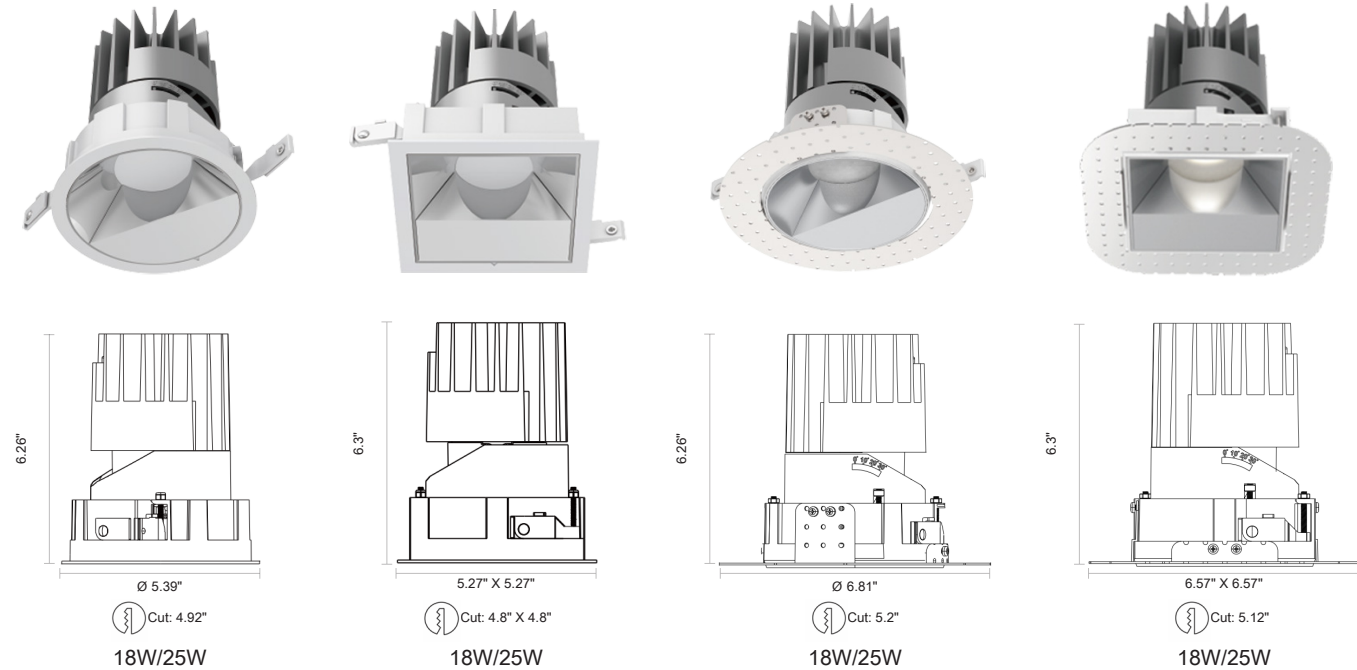
Trim Less Kit



SIZE: 5"

Standard Trim

Trim Less Kit



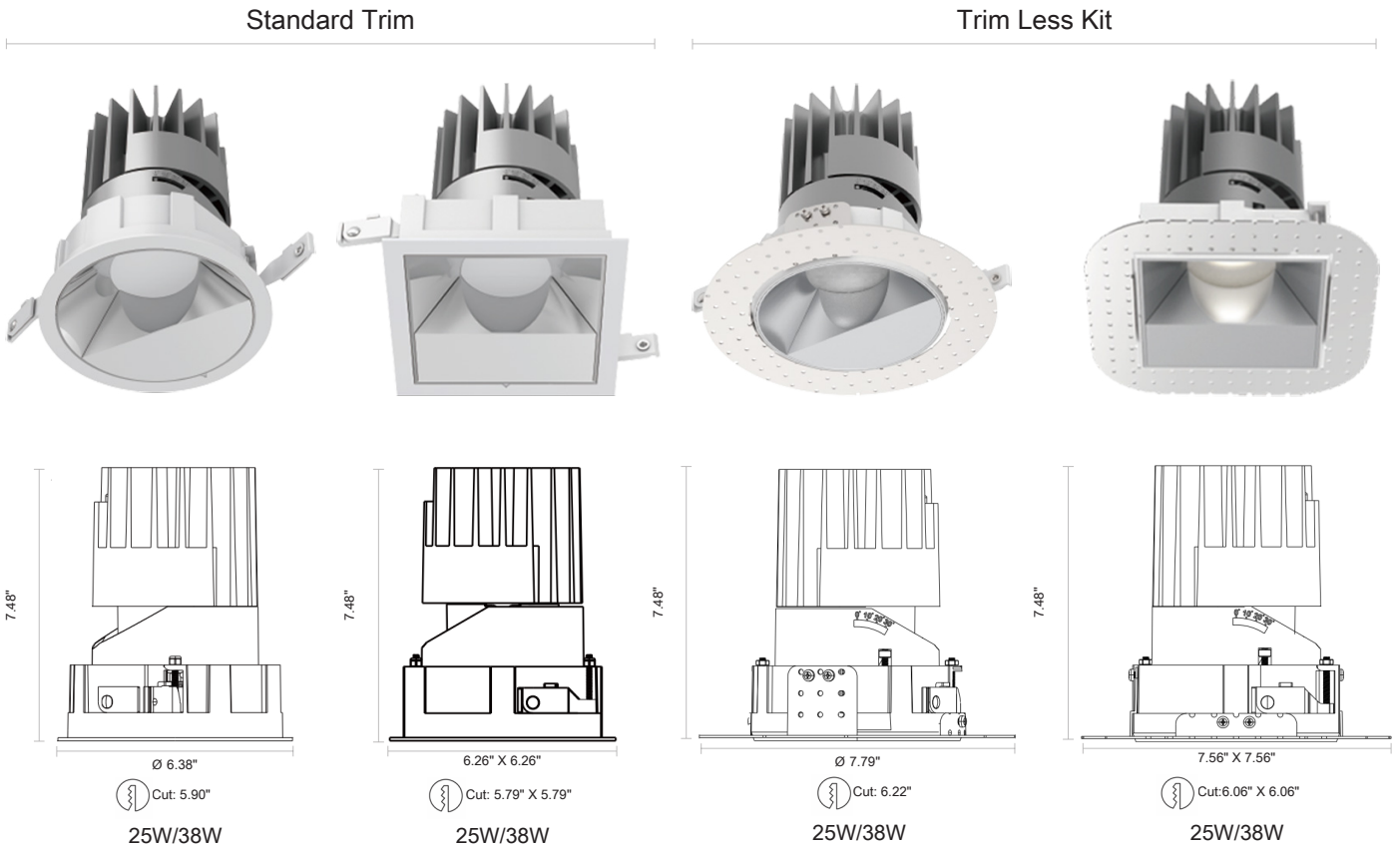
LUNOR

TRIM/TRIMLESS DOWNLIGHT SPECIFICATIONS

PRODUCT MODELS & DIMENSIONS

WALL WASHER VERSION

SIZE: 6"



INSTALLATION ACCESSORIES

IC Expansion Mount Plate



New construction with housing suitable for insulated ceiling (IC)

Housing with hanger bars system for new construction installations. Suitable for insulated ceiling or applications.

Ceiling thickness: 1/2"

IC Expansion Mount Plate



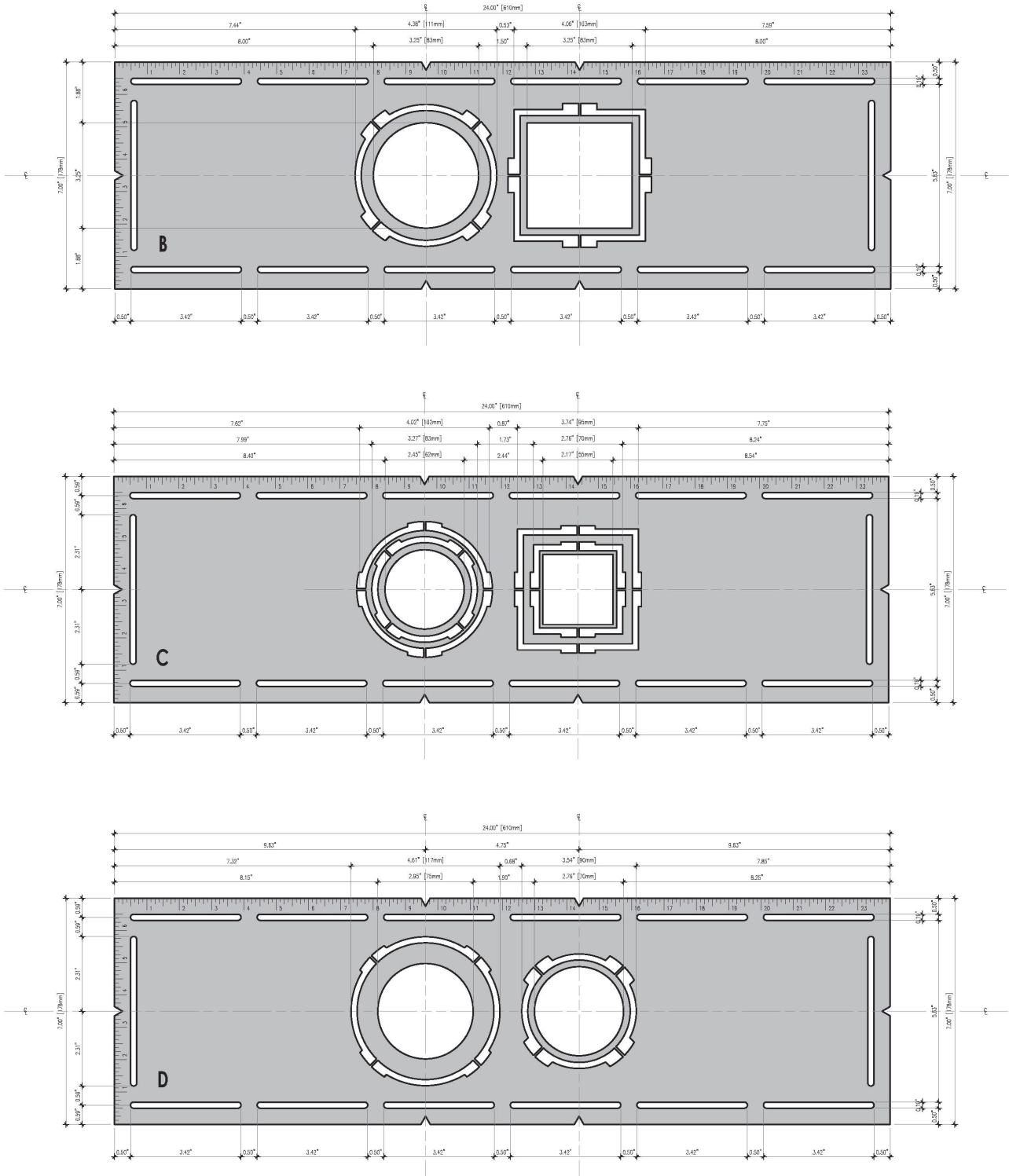
New construction with plaster frame (NC)

Plaster frame with hanger bars system to be installed during rough-in phase. Suitable for non-insulated new construction ceiling assemblies, like sheetrock, acoustic tiles, or paneling.

Ceiling thickness: 1/2"

INSTALLATION ACCESSORIES

Non-IC Rough in Plate



PRODUCT ORDERING GUIDE

EXAMPLE: LUNOR-R-TL-A-123-36-120-3000-L-90-V-B-BK-ICE

LUNOR	-R	-TL	-A	-123	-36	-120	-3000	-L	-90	-V	-B	-BK	-ICE
Series	Shape	Trim Style	Type	Wattage/Size/Lumen	Beam Angle	Voltage	CCT	Optics	CRI	Dimming	Reflector Finish	Trim Finish	Options

SERIES	SHAPE	TRIM STYLE	TYPE	WATTAGE/ SIZE/ LUMEN @CRI89, 3000K	BEAM ANGLE	VOLTAGE	CCT	OPTICS	CRI	DIMMING	REFLECTOR FINISH	TRIM FINISH	OPTIONS
LUNOR	R: Round	T65: IP 65 Trim	A: Adjustable	093: 9W, 3", (24°, 591Lm) (36°, 571Lm) (50°, 785Lm) 123: 12W, 3", (24°, 817Lm) (36°, 1042Lm) (50°, 1049Lm)	24: 24° 36: 36° 50: 50°	120: 120 VAC UNV: 110-277 VAC	2700 3000 3500 4000	L: Lens H: Honeycomb	90	T: TRIAC V: 0-10V N: None	W: White B: Black G: Gold BR: Bronze	WH: White BK: Black	NIE: Non-IC Expansion Mount Plate ICE: IC Expansion Mount Plate NIR: Non-IC Rough in Plate L44: IP44 Lens EB: Emergency Battery
LUNOR	R: Round S: Square	T: Trim TL: Trimless	A: Adjustable	093: 9W, 3", 950Lm 123: 12W, 3", 1250Lm	24: 24° 36: 36° 55: 55°	120: 120 VAC UNV: 110-277 VAC	2700 3000 3500 4000	L: Lens H: Honeycomb	90	T: TRIAC V: 0-10V N: None	W: White B: Black G: Gold BR: Bronze	WH: White BK: Black	NIE: Non-IC Expansion Mount Plate ICE: IC Expansion Mount Plate NIR: Non-IC Rough in Plate L44: IP44 Lens EB: Emergency Battery
				074: 7W, 4", 800Lm	10: 10°	120: 120 VAC UNV: 110-277 VAC	2700 3000 3500 4000	L: Lens H: Honeycomb	90	T: TRIAC V: 0-10V N: None	S: Specular SB: Black Chrome M: Matt W: White B: Black MG: Matt Gold	WH: White BK: Black	NIE: Non-IC Expansion Mount Plate ICE: IC Expansion Mount Plate NIR: Non-IC Rough in Plate L44: IP44 Lens EB: Emergency Battery
				124: 12W, 4", 1400Lm	20: 20° 30: 30° 40: 40° 50: 50°								
				174: 17W, 4", 1900Lm	20: 20° 30: 30° 40: 40° 50: 50°								
				244: 24W, 4", 2300Lm	20: 20° 30: 30° 40: 40° 50: 50°								
				175: 17W, 5", 2300Lm	20: 20° 30: 30° 40: 40° 50: 50°								
245: 25W, 5", 3000Lm	20: 20° 25: 25° 36: 36° 50: 50°												
246: 24W, 6", 3250Lm	20: 20° 25: 25° 36: 36° 50: 50°												
366: 36W, 6", 5000Lm	25: 25° 30: 30° 40: 40° 55: 55°												
LUNOR	R: Round S: Square	T: Trim TL: Trimless	F: Fixed	124: 12W, 4", 1300Lm 174: 17W, 4", 1700Lm 244: 24W, 4", 2100Lm 175: 17W, 5", 2000Lm 245: 24W, 5", 2600Lm 246: 24W, 6", 2900Lm 366: 36W, 6", 4600Lm	25: 25° 30: 30° 40: 40° 50: 50° 25: 25° 30: 30° 40: 40° 45: 45° 25: 25° 30: 30° 40: 40° 50: 50°	120: 120 VAC UNV: 110-277 VAC	2700 3000 3500 4000	L: Lens H: Honeycomb	90	T: TRIAC V: 0-10V N: None	S: Specular SB: Black Chrome M: Matt W: White B: Black MG: Matt Gold	WH: White BK: Black	NIE: Non-IC Expansion Mount Plate ICE: IC Expansion Mount Plate NIR: Non-IC Rough in Plate L44: IP44 Lens EB: Emergency Battery
LUNOR	R: Round S: Square	T: Trim TL: Trimless	W: Wallwasher	134: 13W, 4", 550Lm 184: 18W, 4", 750Lm		120: 120 VAC UNV: 110-277 VAC	2700 3000 3500 4000	L: Lens	80 90	T: TRIAC V: 0-10V N: None	S: Specular SB: Black Chrome M: Matt W: White B: Black MG: Matt Gold	WH: White BK: Black	NIE: Non-IC Expansion Mount Plate ICE: IC Expansion Mount Plate NIR: Non-IC Rough in Plate L44: IP44 Lens EB: Emergency Battery
				175: 17W, 5", 1050Lm 245: 24W, 5", 1400Lm 246: 24W, 6", 1500Lm 366: 36W, 6", 2400Lm		120: 120 VAC UNV: 110-277 VAC	2700 3000 3500 4000	L: Lens	90	T: TRIAC V: 0-10V N: None	S: Specular SB: Black Chrome M: Matt W: White B: Black MG: Matt Gold	WH: White BK: Black	NIE: Non-IC Expansion Mount Plate ICE: IC Expansion Mount Plate NIR: Non-IC Rough in Plate L44: IP44 Lens EB: Emergency Battery

** Note: IP65 is available for 3" size, for order add IP65 at the end of order number

FINISHING COLOR



Black



White

FEATURES

Remodel (RM)



For new or existing ceiling. Suitable for non-insulated ceiling like sheetrock or paneling.

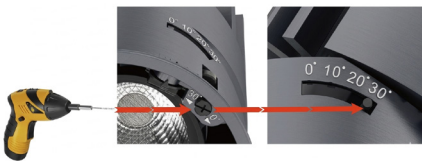
Ceiling thickness: 1/25" to 1" (1mm - 25mm)

Adjustable



Smart mechanical design features precise angle alignment. Artistic style meets architectural requirement. Fixing screws can be rotated to match ceiling with different thickness.

Easy to Adjust



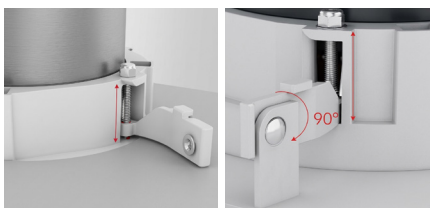
Precision engineered adjustment mechanism achieves accurate angle alignment.
**Apply to 4" model and above only

Elegant



Ultra-narrow trim design leaves no flange between the secondary reflector and trim, meeting neat ceiling requirement.

Creative Ceiling Treatment

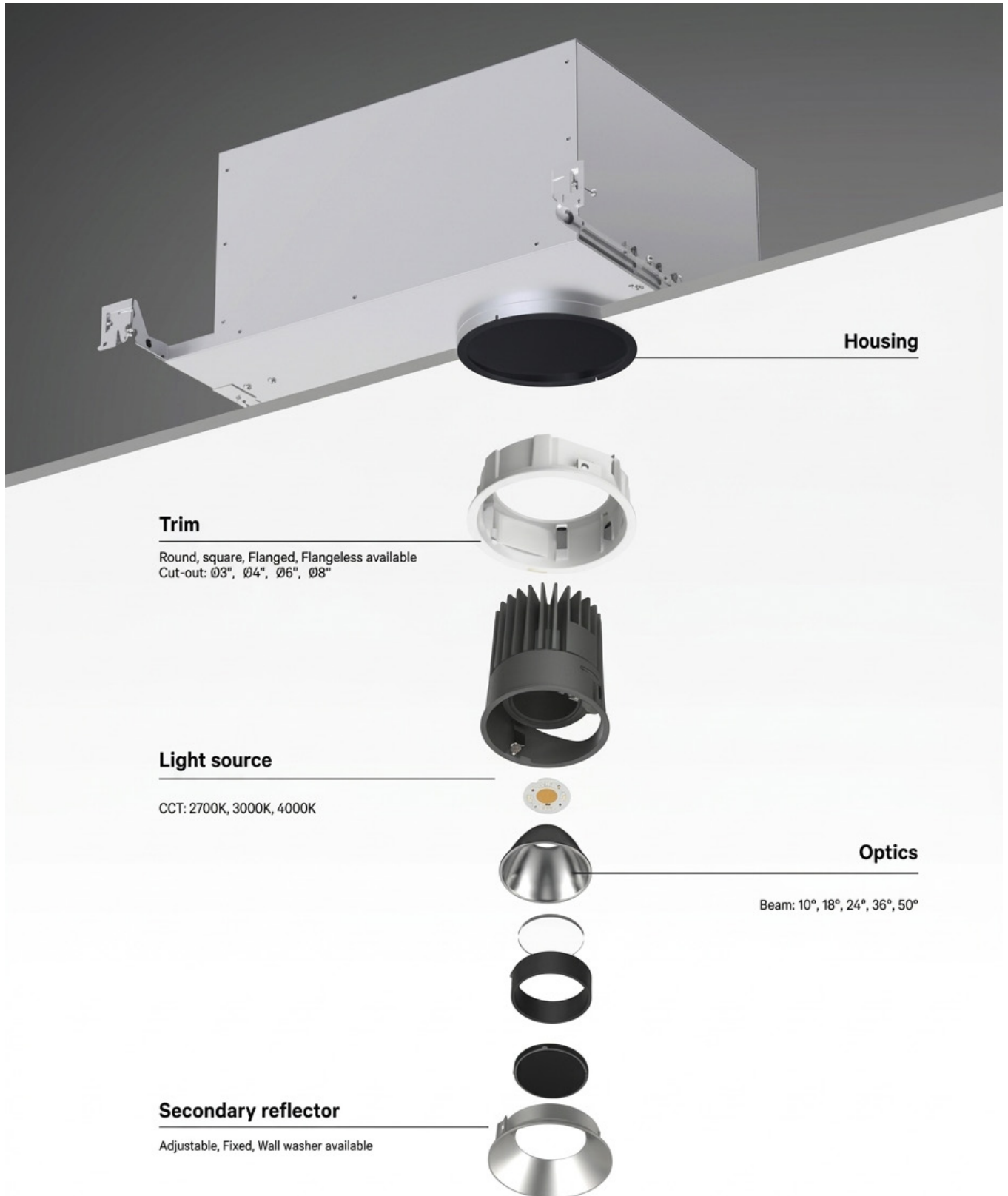


Fit for ceiling thickness
1/2"(12mm) to 1" (25mm)

Fit for ceiling thickness
1/32"(1mm) to 1/2"(12mm)

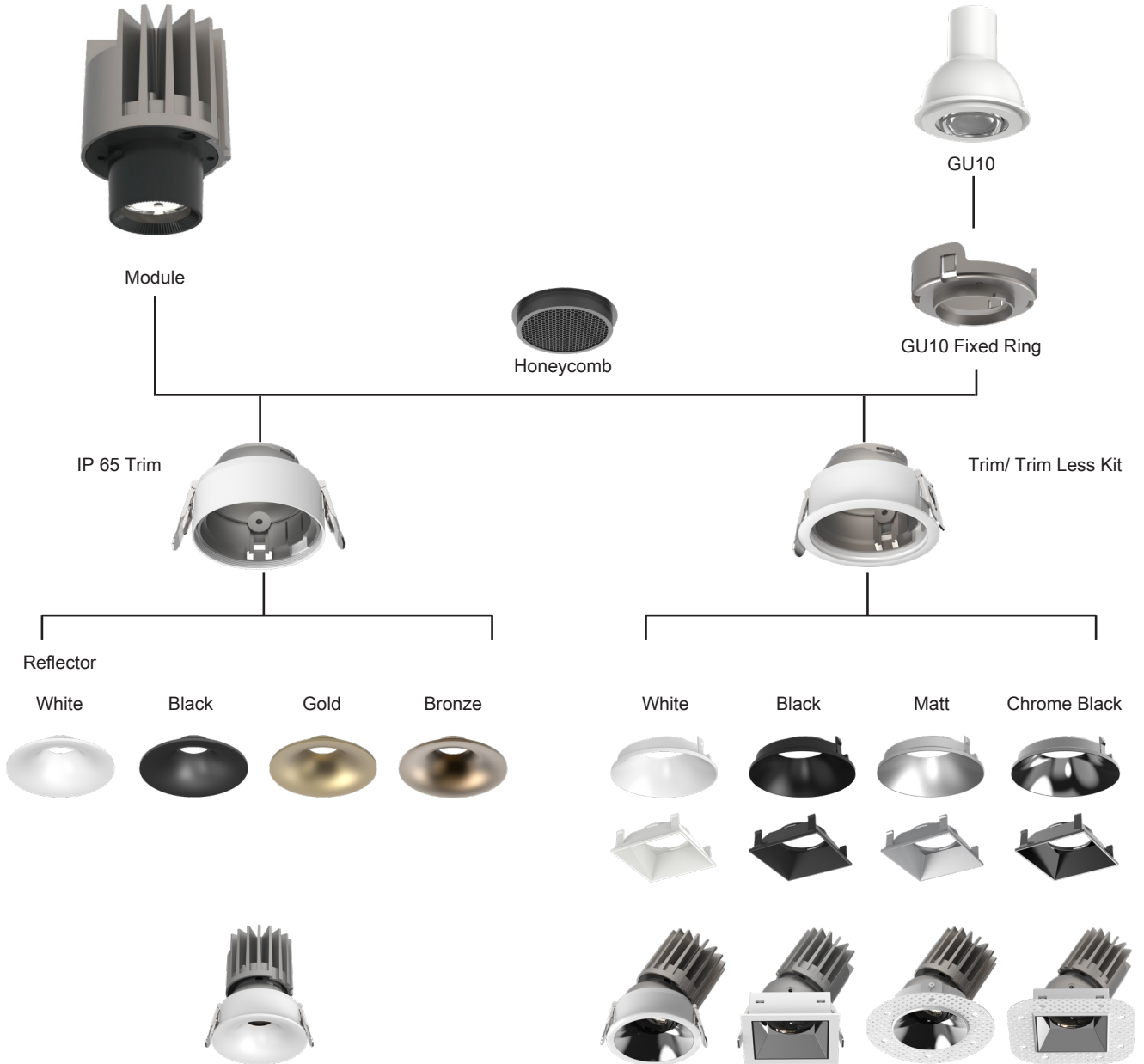
Installed easily and securely in the ceiling, using two screw fixing mechanisms. Applying to 1/2"-1" (12-25mm) thickness ceiling and to 1/32"-1/2" (1-12mm) thickness ceiling with a fallen clip.

ASSEMBLY WITH HOUSING



ASSEMBLY DRAWING

Size: 3"

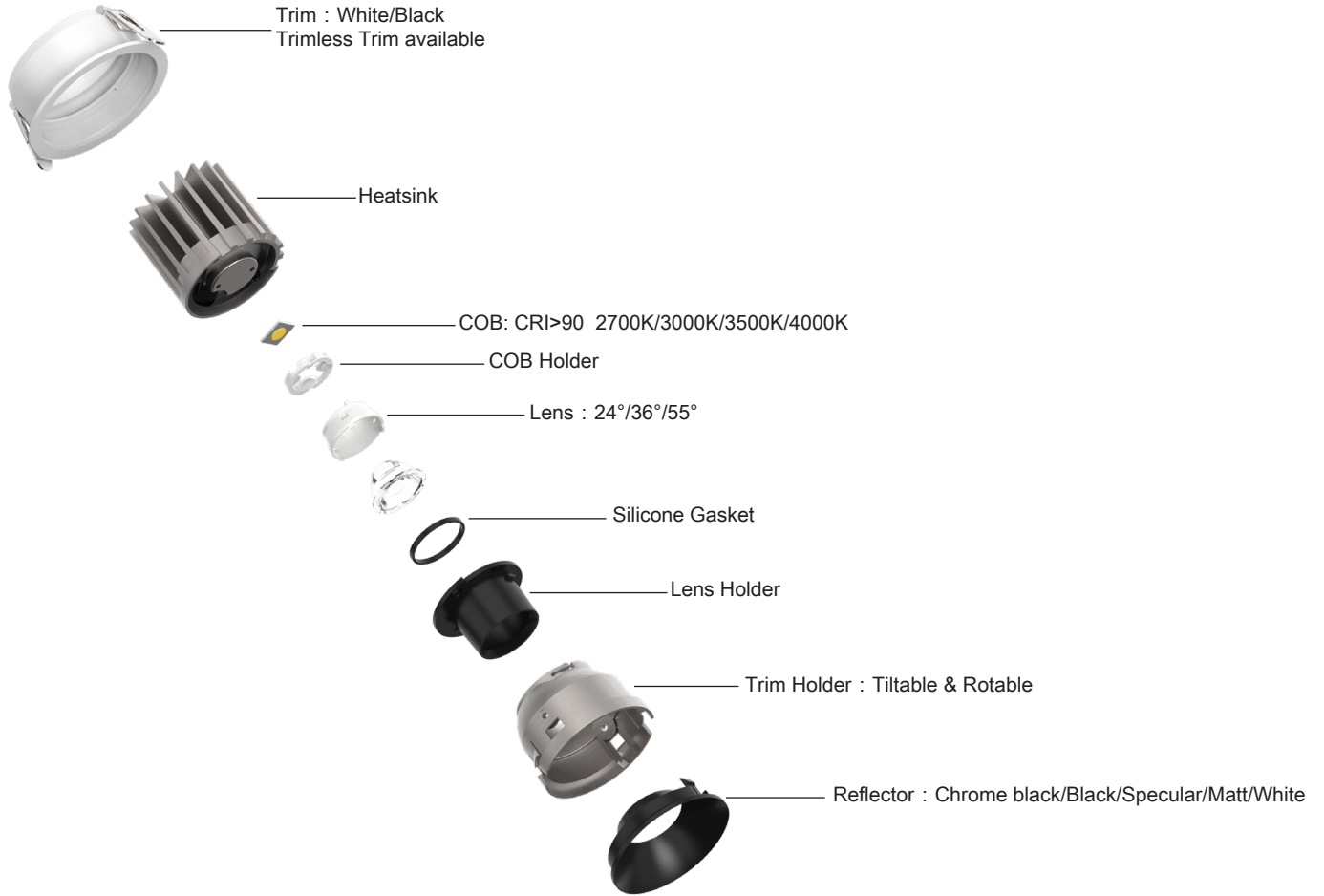


LUNOR

TRIM/TRIMLESS DOWNLIGHT SPECIFICATIONS

ASSEMBLY DRAWING

Size: 3"

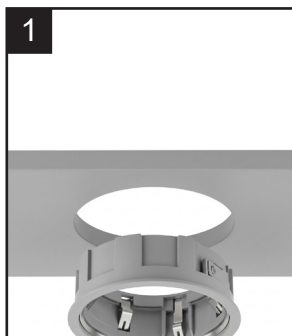
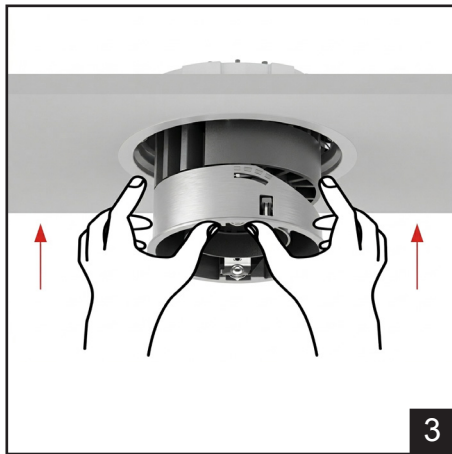
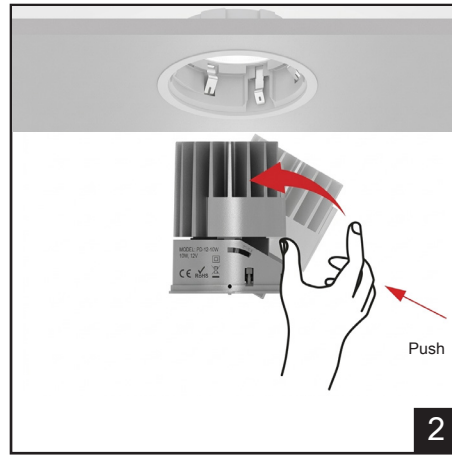


ASSEMBLY DRAWING

Size: 4", 5", 6"



INSTALLATION

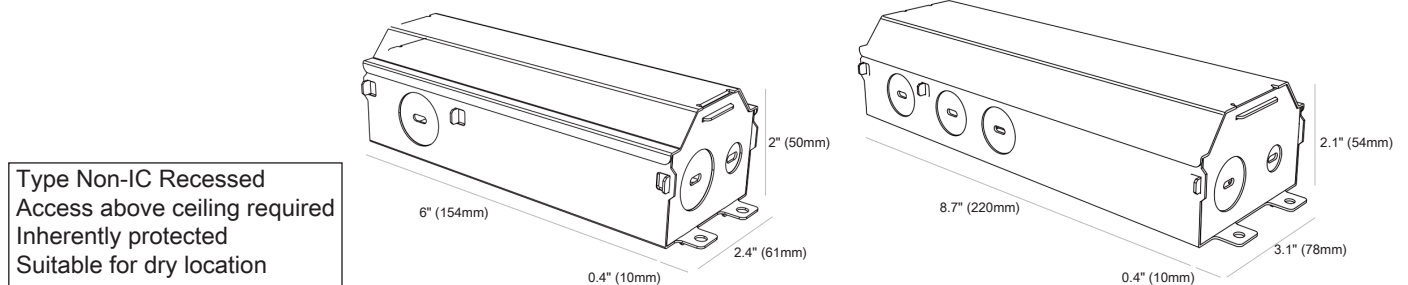


LED DOWNLIGHT DRIVER

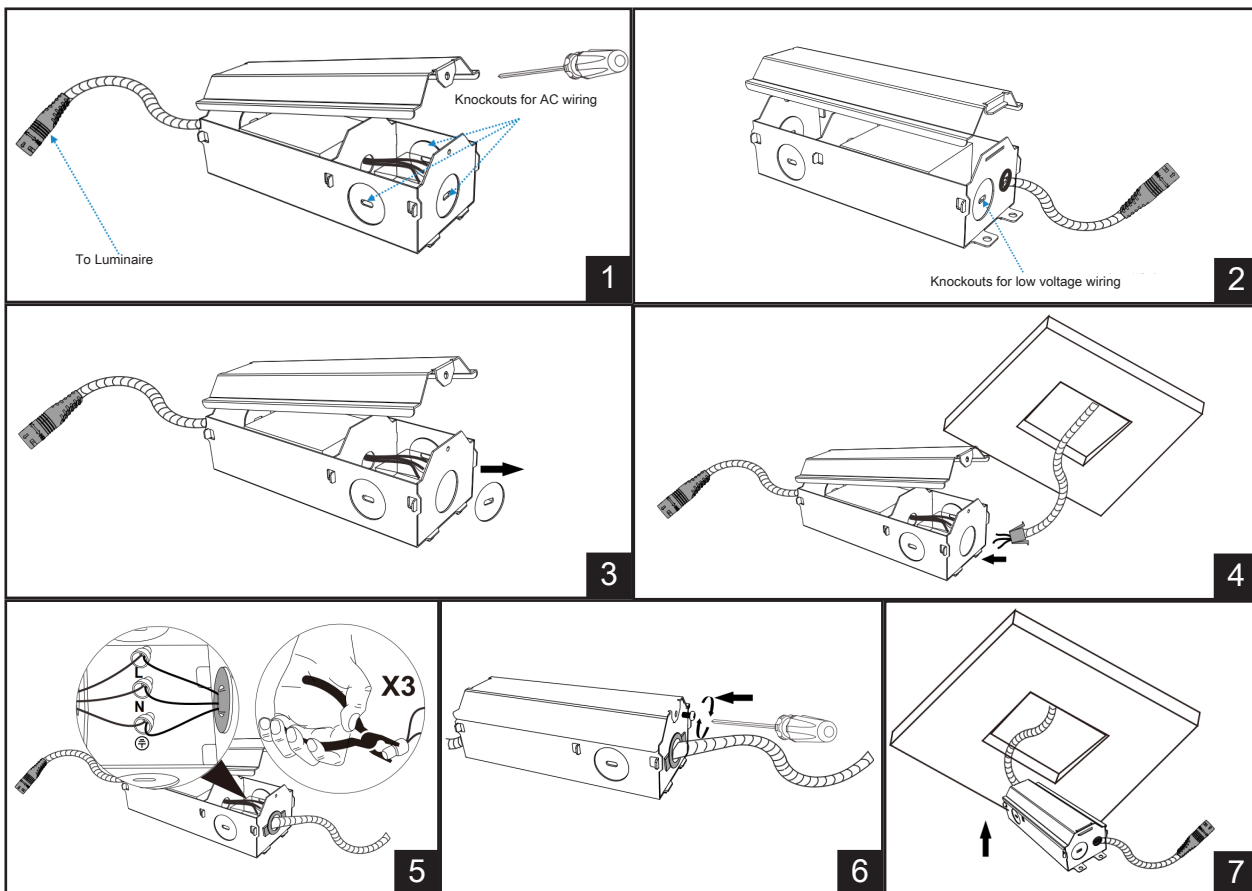
Installation Instructions-Type Non-IC

IMPORTANT SAFETY INSTRUCTIONS

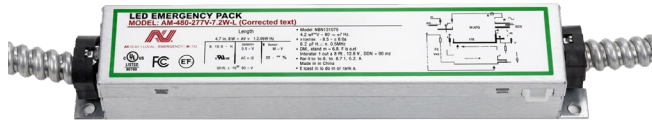
Read And Follow All Safety Instructions:



- Turn off electrical power before modifying the lighting system in any way.
- Do not install while power leads are energized.
- Install per national installation and accidental prevention regulations.
- The side clearance between the edge of the metal box and parts of the building must be at least 50mm.
- Do not conceal or extend exposed conductors through a building wall.
- Do not install the system in wet locations.
- To reduce the risk of fire and burns, do not install this lighting system where the exposed bare conductors can be shorted or contact any conductive materials.
- To reduce the risk of fire and overheating, make sure all connections are tight.
- Do not install any luminaire closer than 6 inch (152 mm) from any curtain , or similar combustible materials.

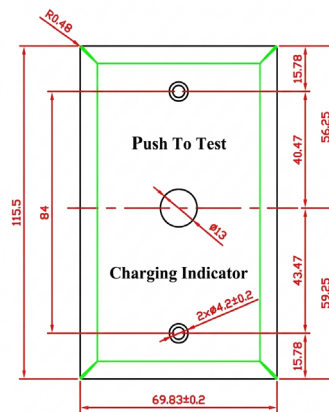
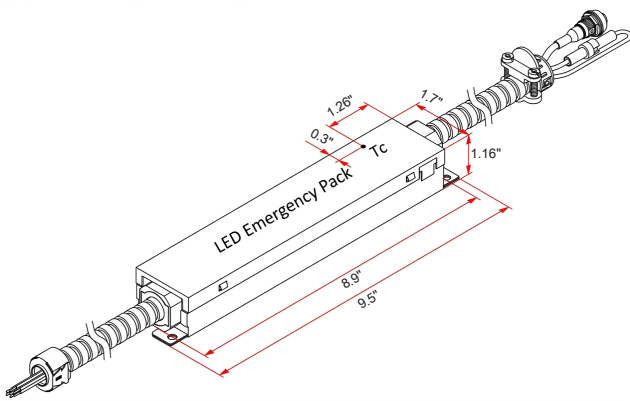


Emergency Battery

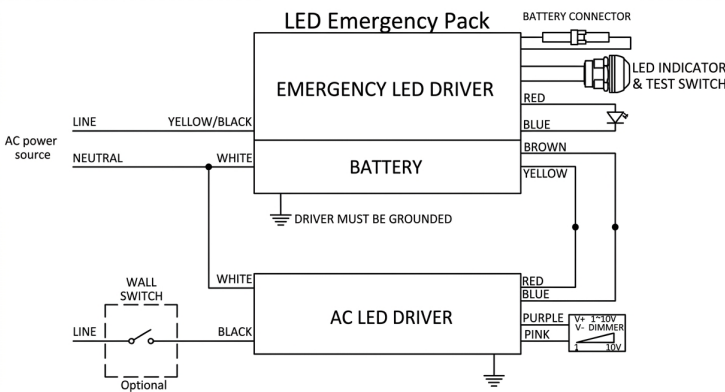


OUTPUT MODE	Constant Current
INPUT VOLTAGE	120-347 VAC
INPUT FREQUENCY	50/60 Hz
DIMMING	N/A
SURGE RATING	3KV
WARRANTY	5 Years TC≤60°C 3 Years TC≤66°C

Dimension



Wire Diagram



Mounting hole for test switch



Panel thickness 4mm Max.

Maximum Wiring Distance (at full load) is 18AWG/18Feet

Lead Length	Inch	Cm
White	30.7	78
Yellow/Black	30.7	78
Red	30.7	78
Blue	30.7	78
Yellow	30.7	78
Brown	30.7	78
Battery Connector	33.07	84
Test Switch	25	63.5
LED Indicator	6	15.24

Emergency Battery

Input Specifications

PARAMETER	MIN.	TYP.	MAX.	NOTES
Input Voltage	108V	120/347V	382V	
Input Current	-	-	0.037A	@120Vac input with full load
Input Frequency	47Hz	60Hz	63Hz	
Leakage Current	-	-	0.7mA	@347Vac input
Turn On Time	-	-	1.0s	@120Vac input at full load
Hold Up Time	-	-	0.1s	@Nominal input and full load
Efficiency	83%	85%	87%	@55Vdc output at full load
Standby Power	-	-	2.95W	

Output Specifications

PARAMETER	MIN.	TYP.	MAX.	NOTES
Output Voltage	15V	-	55V	
Output Current	-	190mA	-	@55Vdc-@15Vdc
Battery Charge Current	-	185mA	-	LiFePO4, 6.4V, 3300mAh
Battery Voltage	-	6.4V	-	
Battery Charge Time	-	-	24Hrs	
Emergency Operation	90min	-	-	
No-Load Output Voltage	56V	58V	60V	
Rated Current	171mA	181mA	190mA	
Rated Power	-	10W	-	
Output Current Ripple	-	±10%	-	

General Specifications

PARAMETER	MIN.	TYP.	MAX.	NOTES
MTBF	-	100,000 Hours	-	@25°C ambient temperature
Lifespan Time	75,000 Hours	-	-	In the range of specification required by normal use of the power supply at ambient temperature 55°C
Cold Start	-	-	2.0s	@0°C

INSTALLATION MANUAL

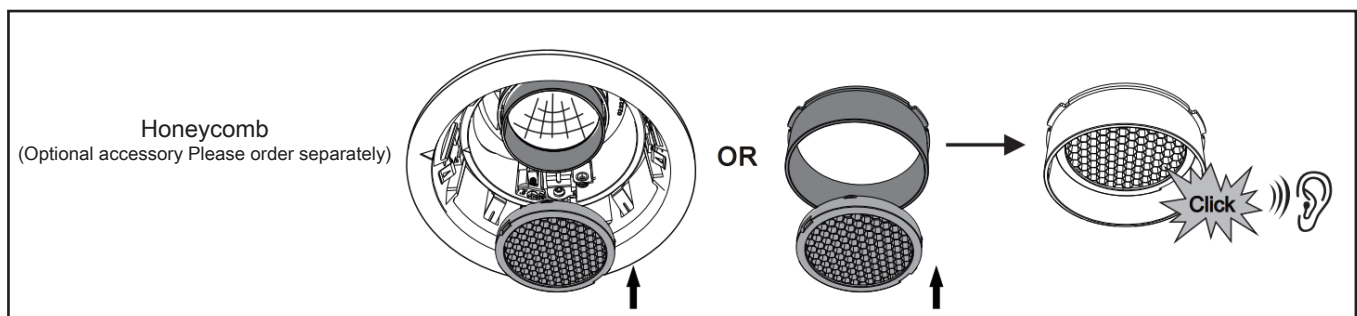
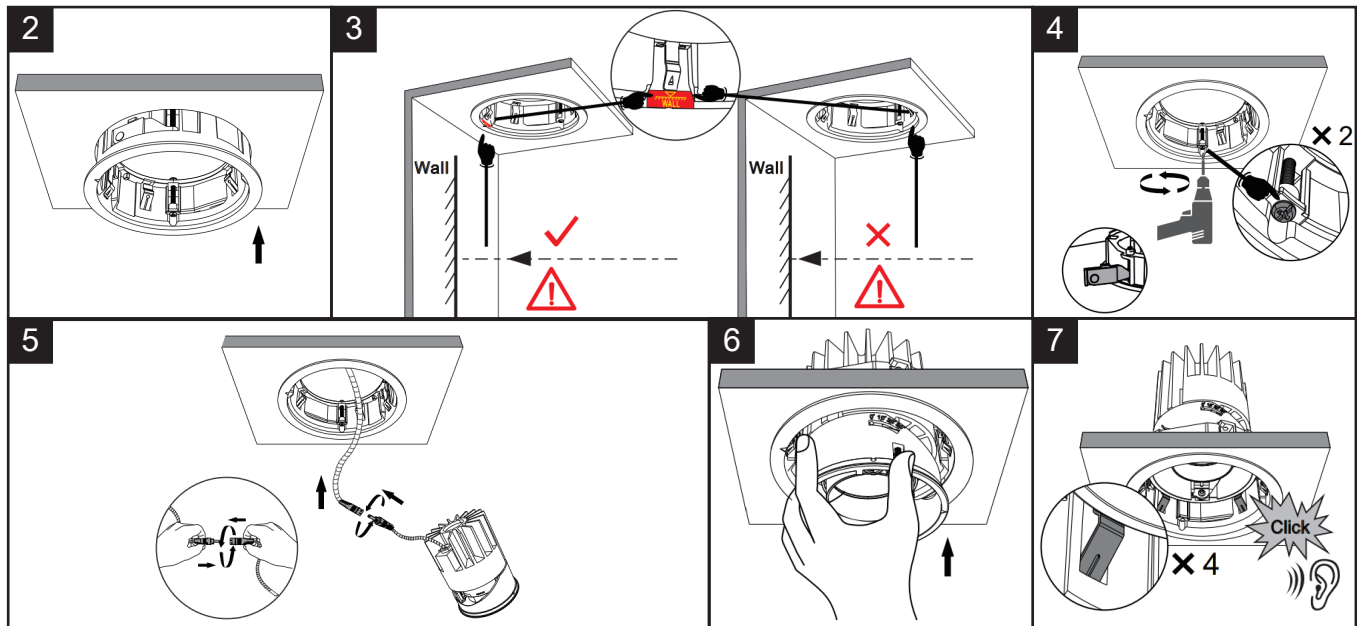
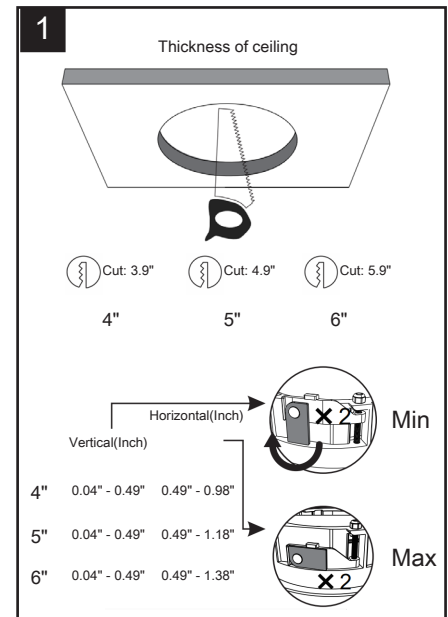
Please read these instructions carefully before commencing installation and retain for future reference. If in doubt, we advise that you consult a qualified electrician to install the product. These products must not be modified. If any modification is made it may invalidate the warranty and may render the product unsafe. All electrical installations must be carried out according to national electrical code & local regulations.

Important Safety Notes

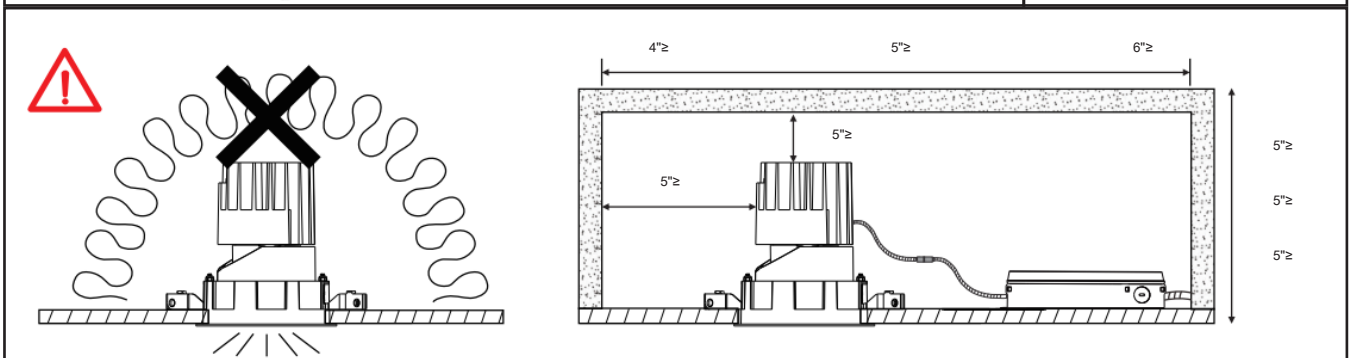
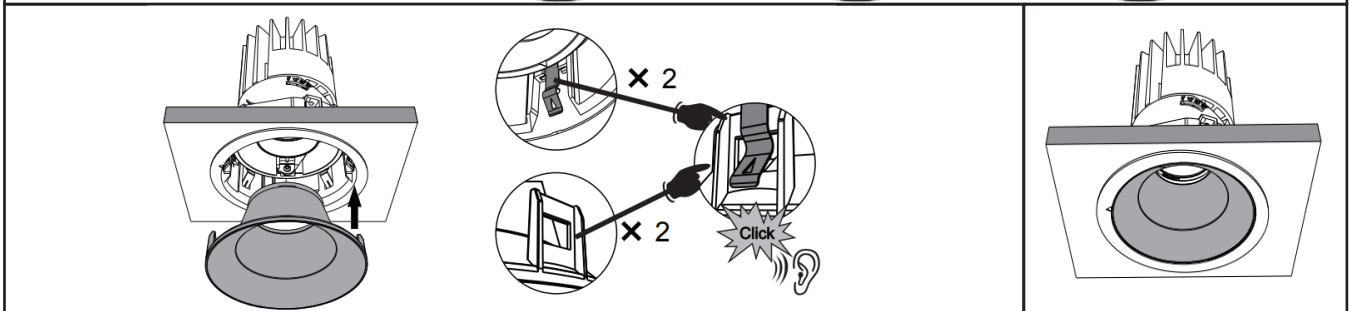
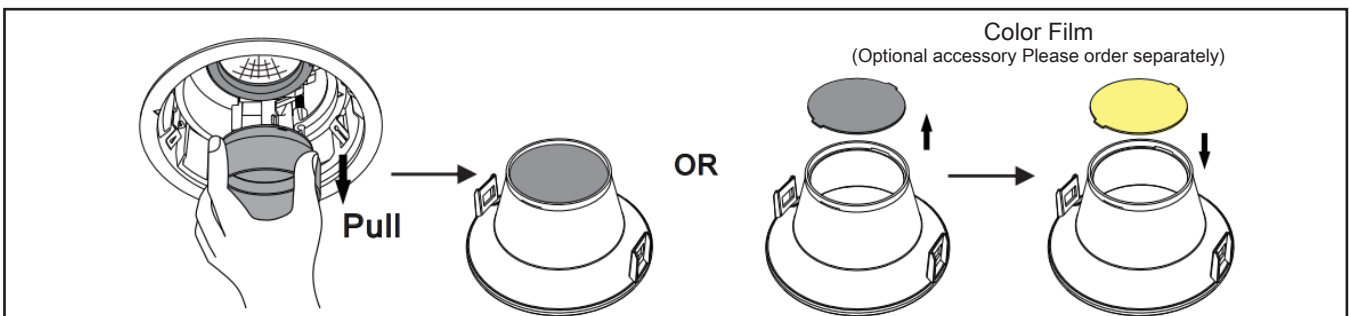
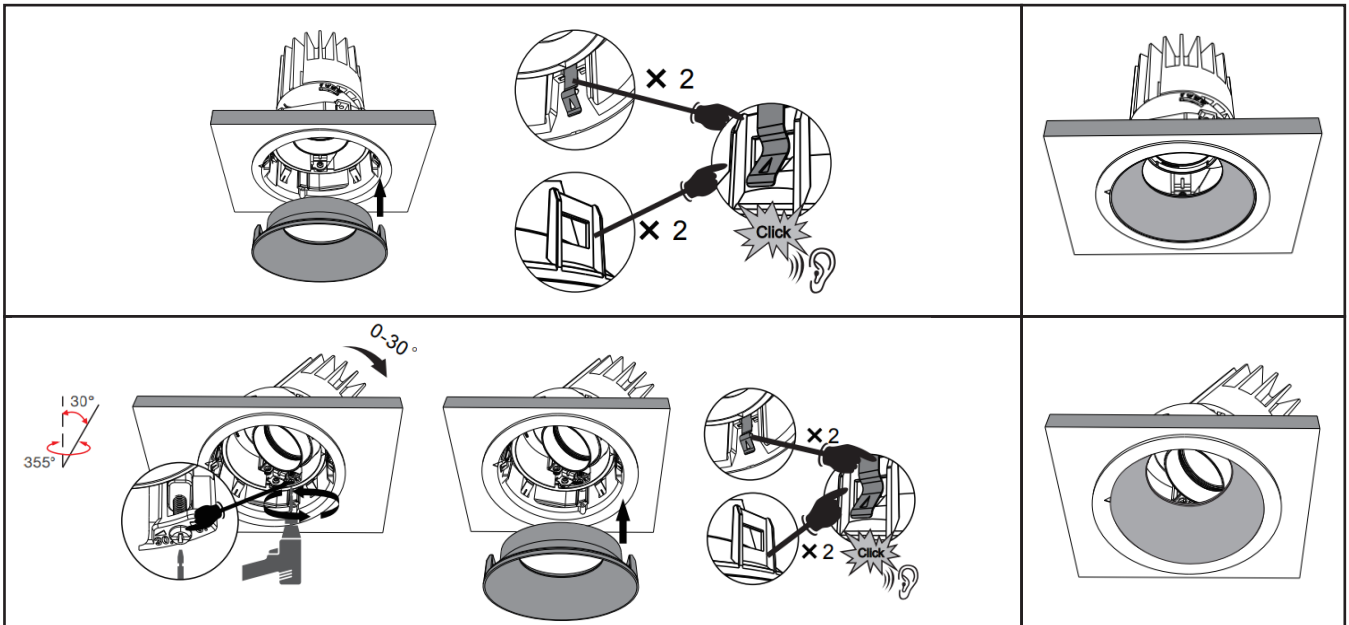
1. Switch off the electricity at the mains before commencing installation or lamp change and (if a fuse box is used) remove the appropriate circuit fuse to avoid accidental switching on of the mains supply.
2. Connect to a 120-277V supply in accordance with relevant electrical standards.
3. Make sure all connections are tight with no loose strands.
4. Ensure fire regulations are not breached when fitting your lights.
5. If you are in any doubt regarding these instructions, consult a qualified electrician.

Warning:

1. For indoor use only
2. Please carefully choose a location for disposal of the flammable package.
3. Do not use defected cable.
4. We do recommend that a qualified electrician should be used to install the products.
5. Do not look at the lighted lamp directly.

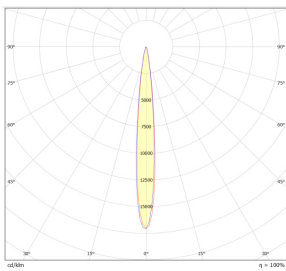


INSTALLATION MANUAL

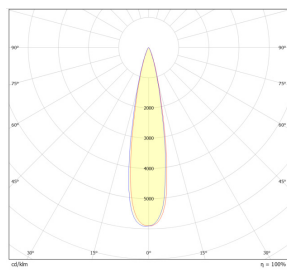




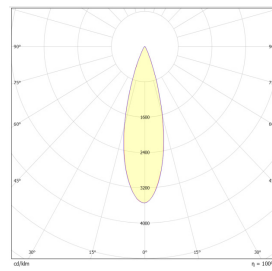
Light Distributions



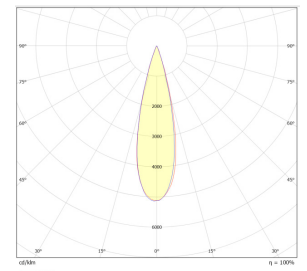
10° Beam angle



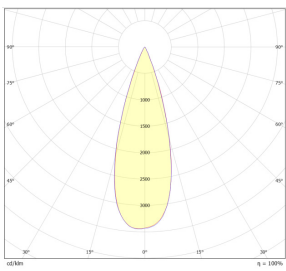
20° Beam angle



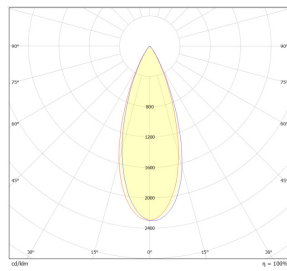
24° Beam angle



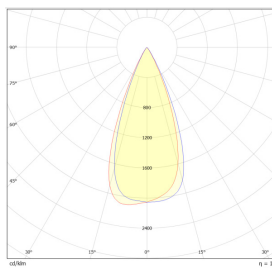
25° Beam angle



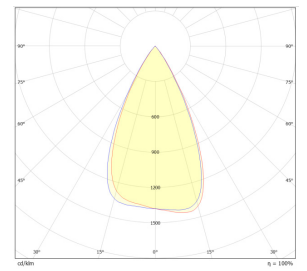
30° Beam angle



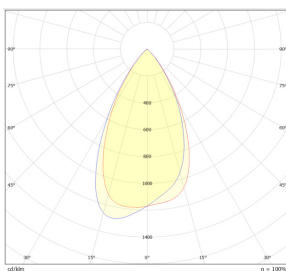
36° Beam angle



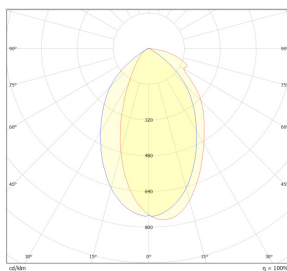
40° Beam angle



50° Beam angle



55° Beam angle



Wall-Washer Beam angle