

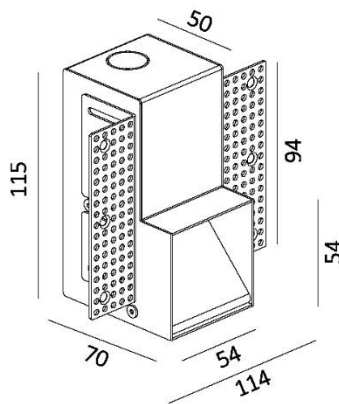
# ISL-06

## TRIM-LESS INDOOR STEP LIGHT



Job Information	
Project Name	
Type	
Location	
Quantity	
Date	

65\*120mm



## PERFORMANCE

MODEL NAME	ISL05
POWER CONSUMPTION(±10%)	3.0 W
INPUT VOLTAGE	24 VDC
LUMINOUS FLUX	120 LM
EFFICACY(4000K RA80)	40 LM/W
DIMMING	TRIAC W/ DIMMABLE REMOTE DRIVER
CCT	2700/3000/4000
CRI	90
UGR LEVEL	<19
MOUNTING OPTIONS	TRIMLESS RECESSED IN WALL
FINISH	POWDER COATING
FIXTURE COLOR	BLACK/WHITE
IP RATING	IP21
OPERATING TEMPERATURE	-30°C TO + 50°C(-22°F TO 122°F)
LIFE TIME OF LED @TA=25°C	50000 HRS LM80 ANSI/IES
WARRANTY	3 YEARS
APPLICATIONS	MILLWORK , MASONRY , INDOOR RESIDENTIAL / COMMERCIAL

## DESCRIPTION

SL06 offers the same clean, trim less design and low-voltage performance as ISL02, but is specially designed for millwork and masonry applications. Perfect for built-in installation in wood, tile, concrete, or stone finishes, it provides subtle, functional illumination while blending seamlessly into architectural surfaces..

With a 24V DC input and remote driver, and featuring a separate light source from the housing for easy maintenance, ISL06 is a smart and stylish lighting solution for steps, corridors, and accent walls.

# ISL-06

TRIM-LESS INDOOR STEP LIGHT

## PRODUCT ORDERING GUIDE

EXAMPLE: ISL06-TL-24VDC-3W-4000-N-W

SERIES	TYPE	VOLTAGE	WATTAGE	CCT	DIMMING	FINISH
ISL06	TL: TRIMLESS	24VDC	3W	2700	T: TRIAC	W: WHITE
				3000	N: NONE	B: BLACK
				4000		

