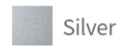


# LED PROFILE LP1212D/LP2012D



Silver



Black

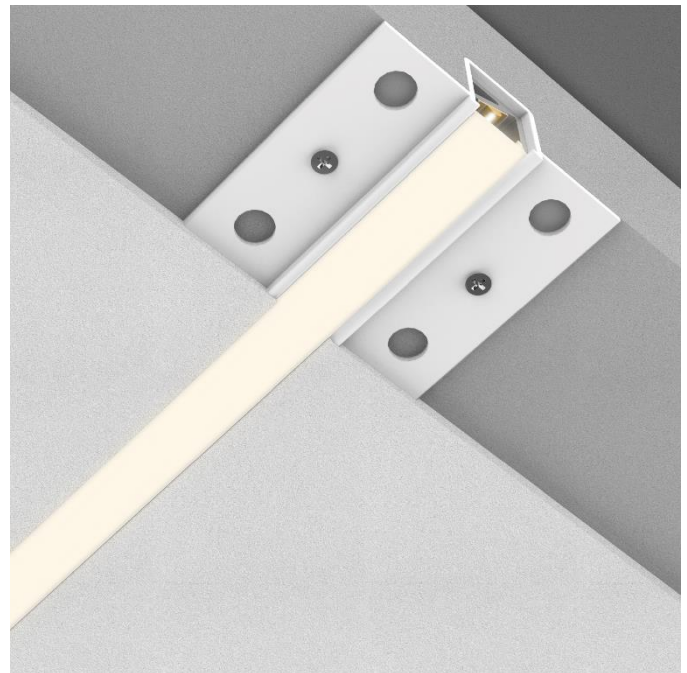
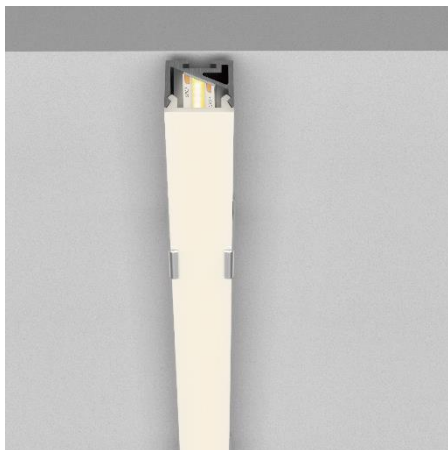
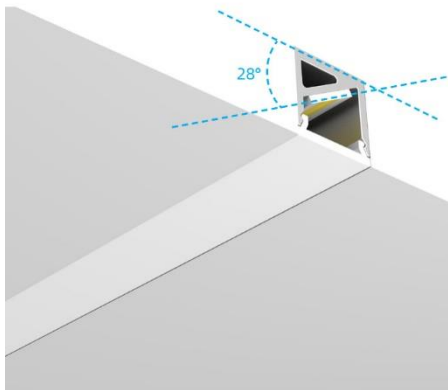
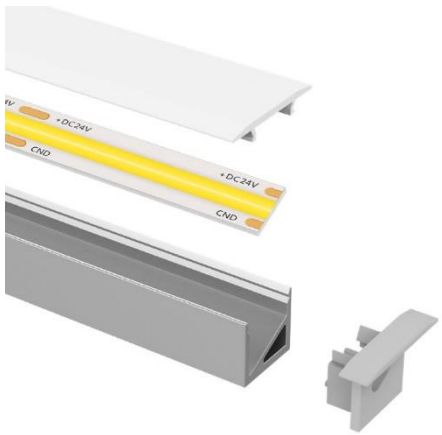


White



## SPECIFICATIONS

<b>Model No.</b>	LP1212D/LP2012D
<b>Power Consumption(±10%)</b>	0-40 W/m
<b>Input Voltage</b>	24 VDC
<b>Luminous Flux (±10%)</b>	Up to 3000 lm/m
<b>Correlated Color Temperature</b>	3000K/4000K
<b>Light Source Width</b>	10.5 mm
<b>Available Length</b>	0.5-3 m
<b>Mounting Option</b>	Surface Mounted/Recessed
<b>Material</b>	Aluminum body, diffused pc cover
<b>Finish</b>	Anodized/Painted
<b>Fixture Color</b>	Black/White/Silver
<b>IP Rating</b>	IP20
<b>Operating Temperature</b>	-30°C to + 50°C(-22°F to 122°F)
<b>Life Time of LED @Ta=25°C</b>	50000 Hours
<b>Warranty</b>	5 Years
<b>Application</b>	Commercial lighting, Indoor lighting



# LED PROFILE

## LP1212D/LP2012D

