

PT01

POST TOP LIGHT



Job Information	
Project Name	
Type	
Location	
Quantity	
Date	

DESCRIPTION

Discover one of the most versatile outdoor ambient lighting solutions on the market. This fixture is designed to adapt seamlessly to various applications—whether you need post top, street lighting, or catenary mounting, it delivers outstanding performance across the board.

With an impressive efficacy of 165 lumens per watt and a variety of beam angle lenses, this fixture ensures optimal light distribution tailored to your specific project needs. Its flexible design makes it the ideal choice for city spaces, pathways, parks, and public spaces requiring adaptable and efficient lighting.

OVERVIEW

- Five installation methods, some with adjustable angle
- Dimmable
- IP66 and IK09
- Excellent corrosion resistance
- Various light distribution options

PERFORMANCE

MODEL NO.	PT01
POWER CONSUMPTION(±10%)	20 - 150W
INPUT VOLTAGE	110-277VAC, 50/60 HZ
EFFICACY(4000K RA80)	165 LM/W
SURGE PROTECTION	10kV(20kV OPTIONAL)
EFFICACY(4000K RA80)	165 LM/W
CCT	2700K-6500K
CRI	70/80
BEAM	TYPE II / III / V
DIMMING	1-10V/DALI
CONTROL	DIMMING, PHOTOCELL, PIR, 1-10V
SURGE PROTECTION	UP TO 20kV
MATERIAL	ALUMINUM, TEMPERED GLASS LENS
FINISH	POWDER COATING
ACCESSORIES	POLES, PHOTOCELL
FIXTURE COLOR	BLACK/GREY/LIGHT GREY
IP RATING	IP66
IK RATING	IK09
WORKING TEMPERATURE	-30°C TO +50°C (-22F TO +122F)
WARRANTY	5 YEARS
APPLICATION	OUTDOOR APPLICATION SUCH AS PATHWAYS, PARKS, ETC

PRODUCT ORDERING GUIDE

EXAMPLE: PT01-UNV-60-A-3000-80-I-V-B-PC

SERIES	VOLTAGE-SURGE PROTECTION	WATTAGE	MOUNTING	CCT	CRI	DISTRIBUTION	DIMMING	FINISH	CONTROL OPTIONS
PT0	UNV-10: 110-277VAC-10kV	20	A	2700	70	II	V: 1-10V	B: BLACK	PC: PHOTOCELL
	UNV-20: 110-277VAC-20kV	30	B	3000	80	III	D: DALI	G: GREY	PR: PIR
		40	C	3500	V		N: NONE	LG: LIGHT GREY	
		50	D	3500					
		60	E	4000					
		70		5000					
		80		5700					
		90		6500					
		100							
		120							
150									

MOUNTING TYPE GUIDE



OPTIONAL ACCESSORIES



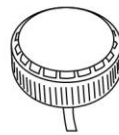
Photocell



Shorting Cap



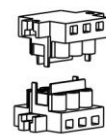
NEMA Socket
(3 / 5 / 7pin)



Motion Sensor



Smart Controller



Cut-off Connector

FEATURES

► Optics

Three types of distribution to choose from.

► Electrical

Voltage: 110-277 Vac, 50 / 60 Hz

► Environment & Certifications

cETL listed for wet locations

► Warranty

5 years limited warranty

► Housing Material

Die-cast aluminum housing and tempered glass lens ensures durability and efficiency.

► Finish

The powder-coated finish ensures a uniform appearance, offering long-term durability and superior aesthetics

► LED System

CCT 2700K to 6500K with excellent color consistency.

► Control

- 1-10V and Dali Dimming available, photocell, PIR.

PT01

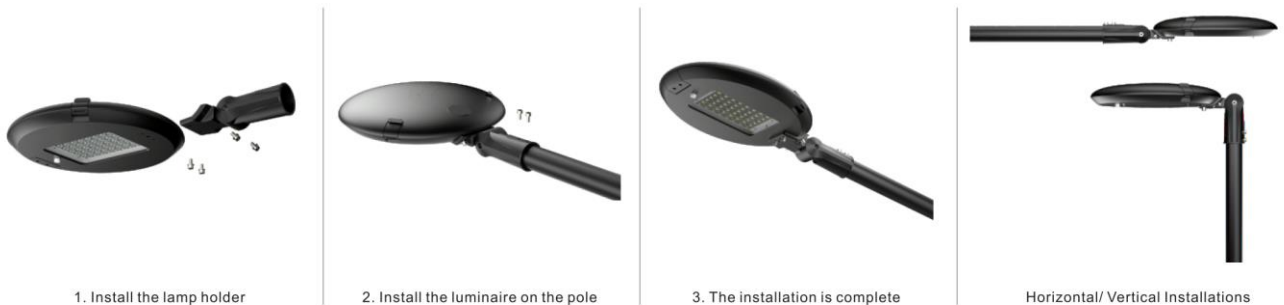
POST TOP LIGHT

TYPE A DIMENSIONS



POWER (W)	LED CHIPS QTY (3030)	LUMINOUS FLUX (LM)	LED CHIPS QTY (5050)	LUMINOUS FLUX (LM)	N.W (kg)	G.W (kg)	PACKAGING SIZE (mm)
20	48	>2600	16	>2800	7.9	9.3	630X530X150
30	48	>3900	16	>4200	7.9	9.3	630X530X150
40	48	>5000	16	>5600	8	9.4	630X530X150
50	72	>6500	24	>7000	8	9.4	630X530X150
60	72	>7800	24	>8400	8	9.4	630X530X150
70	108	>9100	36	>9800	8.1	9.5	630X530X150
80	108	>10400	36	>11200	8.1	9.5	630X530X150
90	108	>11250	36	>12600	8.1	9.5	630X530X150
100	108	>12500	36	>14000	8.1	9.5	630X530X150
120	144	>15600	48	>16800	8.2	9.6	630X530X150
150	192	>19500	72	>21000	8.2	9.6	630X530X150

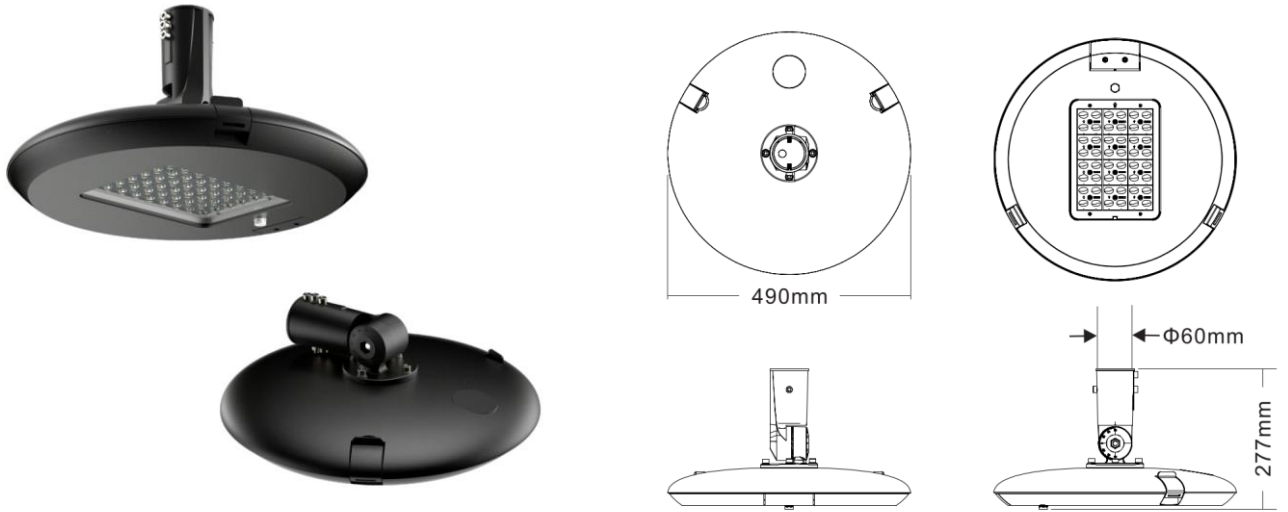
TYPE A INSTALLATIONS



PT01

POST TOP LIGHT

TYPE B DIMENSIONS



POWER (W)	LED CHIPS QTY (3030)	LUMINOUS FLUX (LM)	LED CHIPS QTY (5050)	LUMINOUS FLUX (LM)	N.W (kg)	G.W (kg)	PACKAGING SIZE (mm)
20	48	>2600	16	>2800	7.9	9.3	630X530X150
30	48	>3900	16	>4200	7.9	9.3	630X530X150
40	48	>5000	16	>5600	8	9.4	630X530X150
50	72	>6500	24	>7000	8	9.4	630X530X150
60	72	>7800	24	>8400	8	9.4	630X530X150
70	108	>9100	36	>9800	8.1	9.5	630X530X150
80	108	>10400	36	>11200	8.1	9.5	630X530X150
90	108	>11250	36	>12600	8.1	9.5	630X530X150
100	108	>12500	36	>14000	8.1	9.5	630X530X150
120	144	>15600	48	>16800	8.2	9.6	630X530X150
150	192	>19500	72	>21000	8.2	9.6	630X530X150

TYPE B INSTALLATIONS



1. Install the lamp holder

2. Install the luminaire on the pole

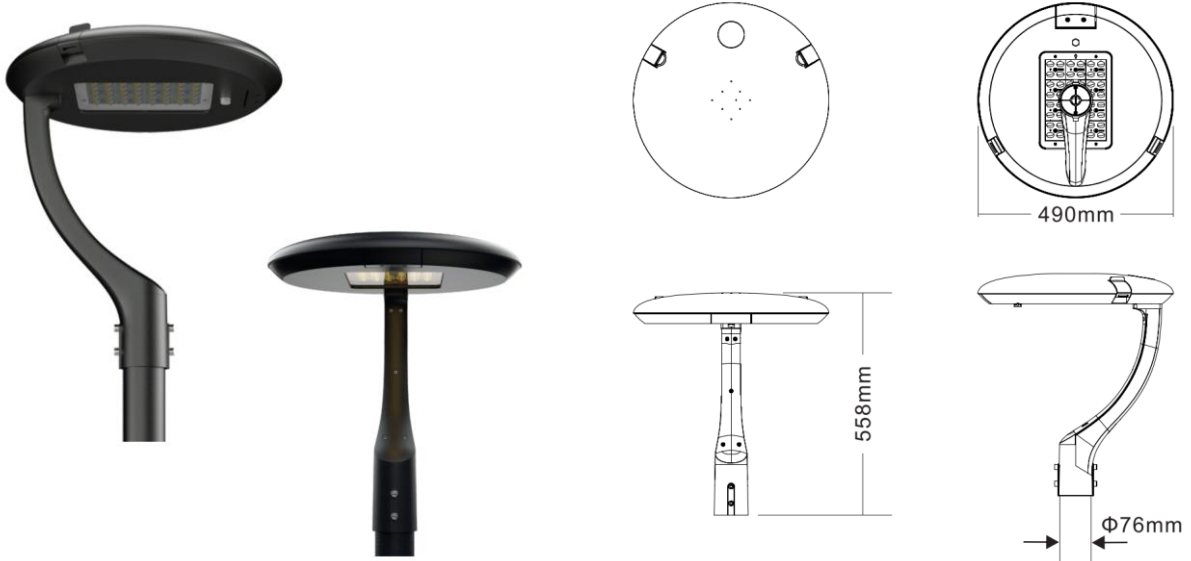
3. The installation is complete

4. Lighting angle is adjustable

PT01

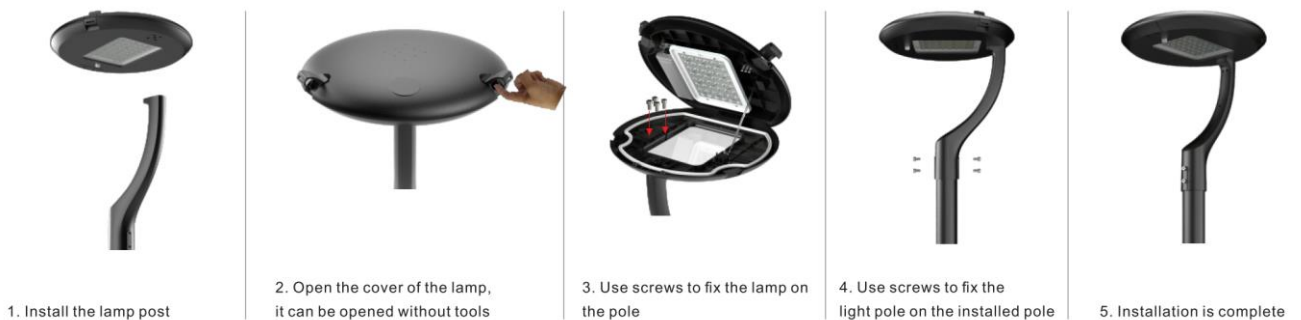
POST TOP LIGHT

TYPE C DIMENSIONS



POWER (W)	LED CHIPS QTY (3030)	LUMINOUS FLUX (LM)	LED CHIPS QTY (5050)	LUMINOUS FLUX (LM)	N.W (kg)	G.W (kg)	PACKAGING SIZE (mm)
20	48	>2600	16	>2800	8.2	9.7	630X630X150
30	48	>3900	16	>4200	8.2	9.7	630X630X150
40	48	>5000	16	>5600	8.3	9.8	630X630X150
50	72	>6500	24	>7000	8.3	9.8	630X630X150
60	72	>7800	24	>8400	8.3	9.8	630X630X150
70	108	>9100	36	>9800	8.4	9.9	630X630X150
80	108	>10400	36	>11200	8.4	9.9	630X630X150
90	108	>11250	36	>12600	8.4	9.9	630X630X150
100	108	>12500	36	>14000	8.4	9.9	630X630X150
120	144	>15600	48	>16800	8.5	10	630X630X150
150	192	>19500	72	>21000	8.5	10	630X630X150

TYPE C INSTALLATIONS



PT01

POST TOP LIGHT

TYPE D DIMENSIONS



POWER (W)	LED CHIPS QTY (3030)	LUMINOUS FLUX (LM)	LED CHIPS QTY (5050)	LUMINOUS FLUX (LM)	N.W (kg)	G.W (kg)	PACKAGING SIZE (mm)
20	48	>2600	16	>2800	9.2	10.7	705X630X150
30	48	>3900	16	>4200	9.2	10.7	705X630X150
40	48	>5000	16	>5600	9.3	10.8	705X630X150
50	72	>6500	24	>7000	9.3	10.8	705X630X150
60	72	>7800	24	>8400	9.3	10.8	705X630X150
70	108	>9100	36	>9800	9.4	10.9	705X630X150
80	108	>10400	36	>11200	9.4	10.9	705X630X150
90	108	>11250	36	>12600	9.4	10.9	705X630X150
100	108	>12500	36	>14000	9.4	10.9	705X630X150
120	144	>15600	48	>16800	9.5	11	705X630X150
150	192	>19500	72	>21000	9.5	11	705X630X150

TYPE D INSTALLATIONS



1. Install the lamp post



2. Open the cover of the lamp, it can be opened without tools



3. Use screws to fix the lamp on the pole



4. Use screws to fix the light pole on the installed pole

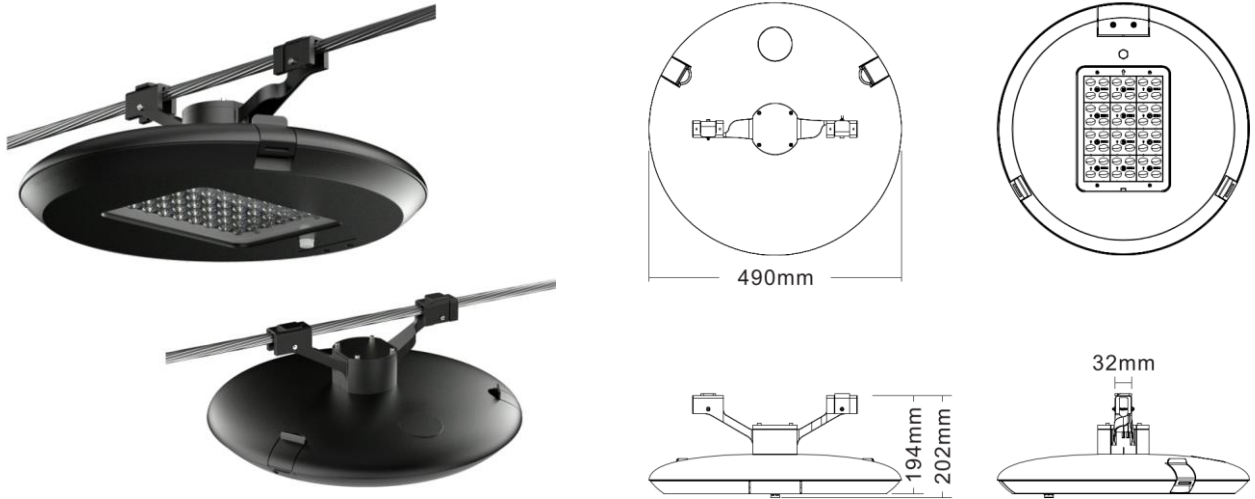


5. Installation is complete

PT01

POST TOP LIGHT

TYPE E DIMENSIONS



POWER (W)	LED CHIPS QTY (3030)	LUMINOUS FLUX (LM)	LED CHIPS QTY (5050)	LUMINOUS FLUX (LM)	N.W (kg)	G.W (kg)	PACKAGING SIZE (mm)
20	48	>2600	16	>2800	7.9	9.3	530X530X240
30	48	>3900	16	>4200	7.9	9.3	530X530X240
40	48	>5000	16	>5600	8	9.4	530X530X240
50	72	>6500	24	>7000	8	9.4	530X530X240
60	72	>7800	24	>8400	8	9.4	530X530X240
70	108	>9100	36	>9800	8.1	9.5	530X530X240
80	108	>10400	36	>11200	8.1	9.5	530X530X240
90	108	>11250	36	>12600	8.1	9.5	530X530X240
100	108	>12500	36	>14000	8.1	9.5	530X530X240
120	144	>15600	48	>16800	8.2	9.6	530X530X240
150	192	>19500	72	>21000	8.2	9.6	530X530X240

TYPE E INSTALLATIONS



1. Install the fixed buckle on the lamp



2. Hang the lamp on the wire



3. Fix the lamp with screws



4. The installation is complete

PT01

POST TOP LIGHT

