

PM-BL05

LED BOLLARD LIGHT



Job Information	
Project Name	
Type	
Location	
Quantity	
Date	

DESCRIPTION

The BL05 is a high-quality IP65-rated bollard light with a contemporary design. Its die-cast aluminum body, tempered glass lens, and sophisticated surface finish transform and enhance the modern aesthetic of any landscape project. Certified with an IP65 rating, BL05 can withstand tough conditions. The professional optical solution provides anti-glare and comfortable light uniformity.

OVERVIEW

- IP65 and IK08
- Excellent corrosion resistance

PERFORMANCE

MODEL NO.	PM-BL05	
POWER CONSUMPTION(±10%)	12 W	18 W
INPUT VOLTAGE	24VDC	
LUMINOUS FLUX (±10%)	800 LM	1440 LM
EFFICACY(4000K RA80)	60-70 LM/W	80-90 LM/W
CCT	3000K/4000K	
COLOR RENDERING INDEX	>80	
POWER FACTOR	>0.9	
FLICKER FACTOR	<5%	
THD	<20%	
MATERIAL	ALUMINUM BODY, TEMPERED GLASS LENS	
FINISH	ANTI-UV POLYESTER POWDER COATING	
FIXTURE COLOR	BLACK	
PRODUCT DIMENSION	153x600mm	280x600mm
IP RATING	IP65	
IK RATING	IK08	
WORKING TEMPERATURE	-20°C TO +45°C (-4F TO +113F)	
LIFESPAN OF LED @TA=25°C	50000 HRS	
WARRANTY	3 YEARS	
APPLICATION	OUTDOOR APPLICATION SUCH AS PATHWAYS, PARKS, ETC	

PM-BL05

LED BOLLARD LIGHT

PRODUCT ORDERING GUIDE

EXAMPLE: PM-BL05-24VDC-12-3000-80-B

SERIES	VOLTAGE	WATTAGE	CCT	CRI	FINISH
PM-BL05	24VDC	12	3000	70	B: BLACK
		18	4000	80	

FEATURES

► Electrical

Voltage: 24VDC

► Environment

Suitable for wet locations

► Warranty

3 years limited warranty

► Finish

The powder-coated finish ensures a uniform appearance, offering long-term durability and superior aesthetics

► Housing Material

Die-cast aluminum housing ensures durability and efficiency with anticorrosion protection for harsh environments.

► LED System

CRI With a 80+ color rendering index (CRI), this product delivers adequate illumination.

CCT 3000K or 4000K with excellent color consistency.

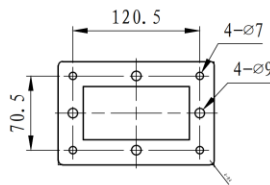
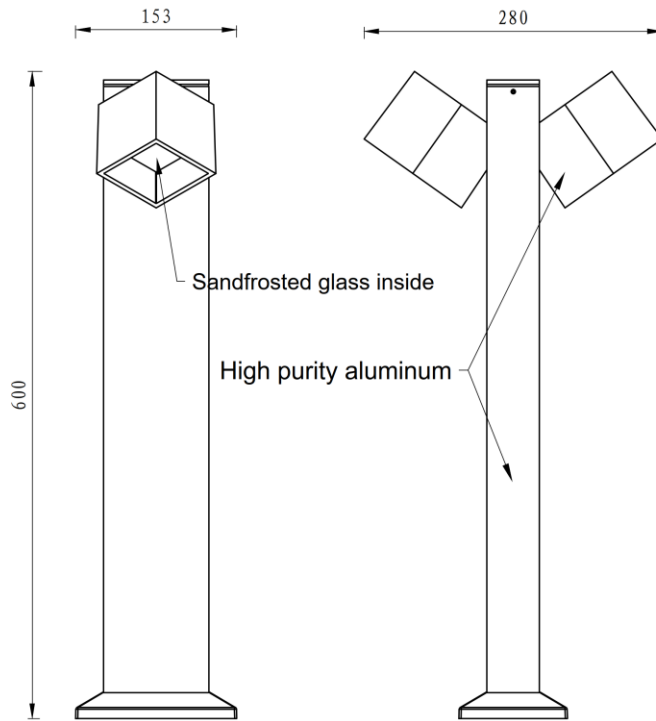
► Control

External photocell available.

PM-BL05

LED BOLLARD LIGHT

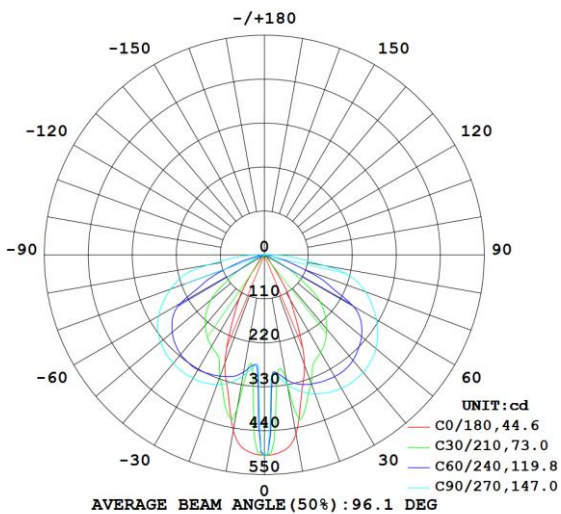
DIMENSIONS (mm)



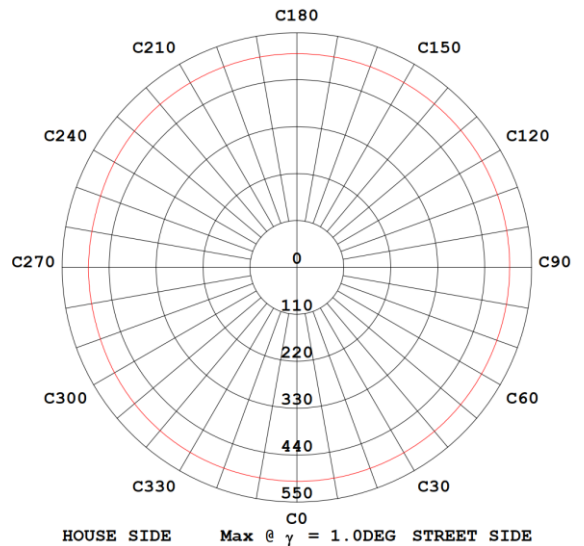
Installation template

PHOTOMETRIC DIAGRAM, RA 80, 12W @4000K

Polar Candela Distribution



Beam Details



PM-BL05

LED BOLLARD LIGHT



INSTALLATION GUIDE

