

PM-BL04

LED BOLLARD LIGHT



Job Information	
Project Name	
Type	
Location	
Quantity	
Date	

PERFORMANCE

MODEL NO.	PM-BL04	
POWER CONSUMPTION(±10%)	15 W	
INPUT VOLTAGE	100-240VAC, 50/60 HZ	
LUMINOUS FLUX (±10%)	1050 LM	
EFFICACY(4000K RA80)	70 LM/W	
CCT	3000K/4000K	
COLOR RENDERING INDEX	>80	
POWER FACTOR	>0.9	
FLICKER FACTOR	<5%	
THD	<20%	
MATERIAL	ALUMINUM BODY, TEMPERED GLASS LENS	
FINISH	ANTI-UV POLYESTER POWDER COATING	
FIXTURE COLOR	LIGHT GREY/BLACK	
LUMINAIRE NET WEIGHT	3.7kg (8.16LBS)	4.1kg (9LBS)
PRODUCT DIMENSION	Ø170x800mm	Ø170x1000mm
IP RATING	IP65	
IK RATING	IK08	
WORKING TEMPERATURE	-30°C TO +45°C (-22F TO +113F)	
LIFESPAN OF LED @TA=25°C	50000 HOURS, L70	
WARRANTY	3 YEARS	
APPLICATION	OUTDOOR APPLICATION SUCH AS PATHWAYS, PARKS, ETC	

DESCRIPTION

The BL04 is a high-quality IP65-rated bollard light with a contemporary design. Its die-cast aluminum body, tempered glass lens, and sophisticated surface finish transform and enhance the modern aesthetic of any landscape project. Certified with an IP65 rating, BL04 can withstand tough conditions. The professional optical solution provides semi-anti-glare and comfortable light uniformity.

OVERVIEW

- IP65 and IK08
- Excellent corrosion resistance
- Custom height of 31.5" to 39" available

PRODUCT ORDERING GUIDE

EXAMPLE: PM-BL04-15-1000-3000-G

SERIES	WATTAGE	HEIGHT	CCT	FINISH
PM-BL04	15	800	3000	B: BLACK
		1000	4000	G: LIGHT GREY

FEATURES

► Optics

Low glare asymmetrical distribution.

► Electrical

Voltage: 100-240 V AC, 50 / 60 Hz
Flicker Factor: <5%
THD <20%
Power Factor >0.9

► Environment & Certifications

cETL listed for wet locations

► Warranty

3 years limited warranty

► Finish

The powder-coated finish ensures a uniform appearance, offering long-term durability and superior aesthetics

► Housing Material

Die-cast aluminum housing ensures durability and efficiency with anticorrosion protection for harsh environments.

► LED System

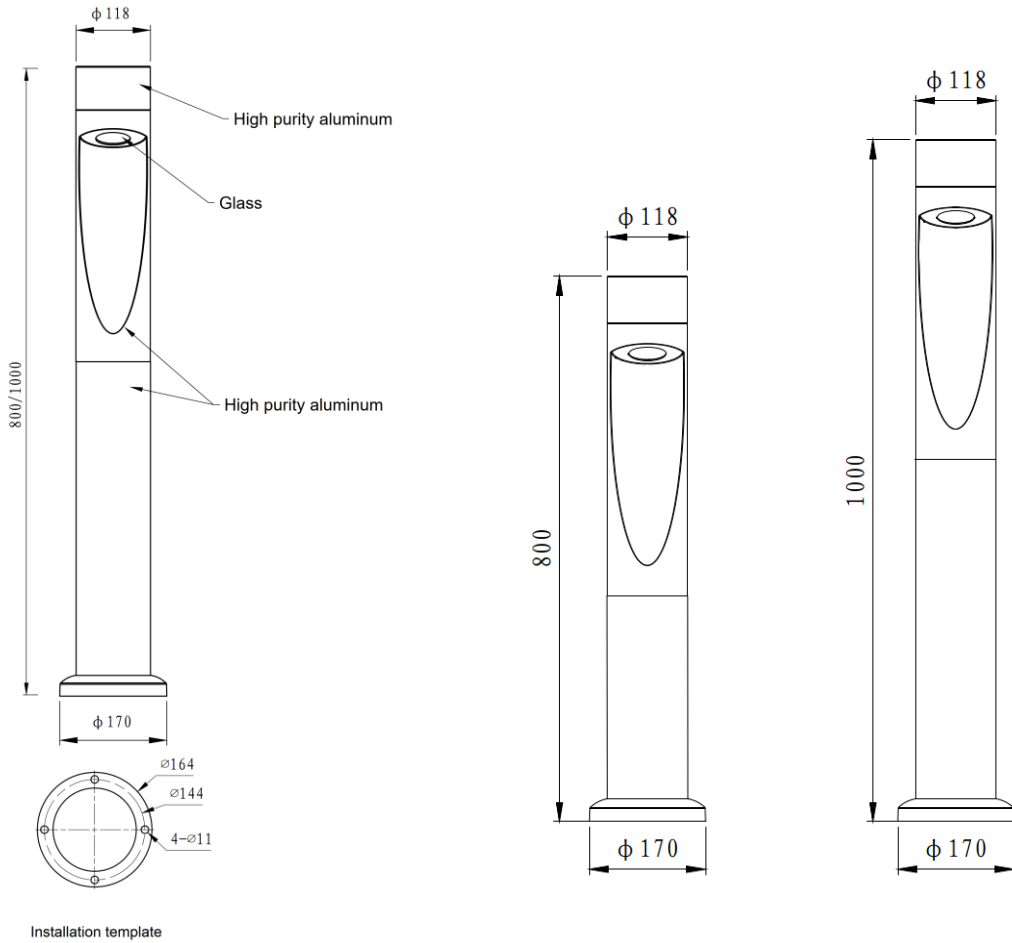
CRI With a 80+ color rendering index (CRI), this product delivers adequate illumination.

CCT 3000K or 4000K with excellent color consistency.

► Control

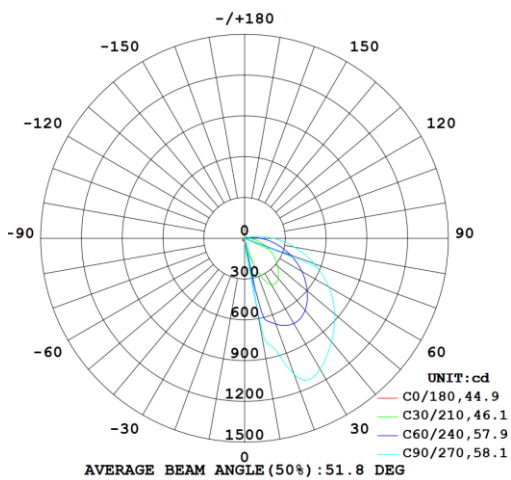
- Photocell: Lights out 30 seconds after sunrise, lights on 5 seconds after sunset

DIMENSIONS (mm)

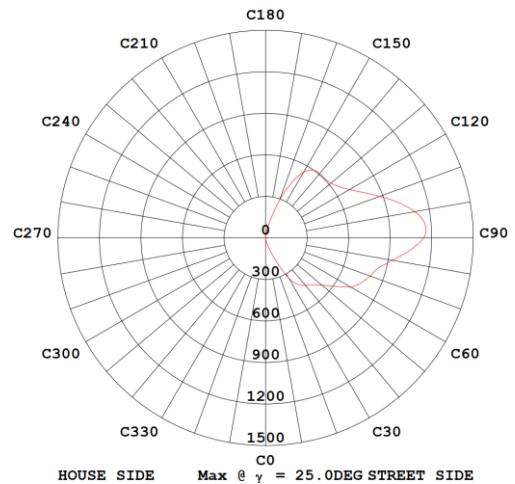


PHOTOMETRIC DIAGRAM, RA 80, 15W @5000K

Polar Candela Distribution



Beam Details



PM-BL04

LED BOLLARD LIGHT

ACCESSORIES



EXPANSION SCREW
Ø12x60mm



L TYPE BRACKET
Ø225x154mm



IP68 WATERPROOF CONNECTOR
99x25mm



IP68 WATERPROOF CONNECTOR
140x72mm

APPLICATION



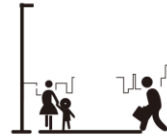
Public Spaces



Parks and
Cycle Paths



Squares and
Monuments



Large Pedestrian Areas



City Streets in
Historic Centers



INSTALLATION INSTRUCTIONS

