

PM-BL01

LED BOLLARD LIGHT SPECIFICATIONS



Job Information

| | |
|--------------|--|
| Project Name | |
| Type | |
| Location | |
| Quantity | |
| Date | |

DESCRIPTION

The BL01 is a high quality IP66 rated bollard light with a contemporary design. Its die-cast aluminum body, PC optical lens, and sophisticated surface finish transform and enhance the modern aesthetic of any landscape project. Certified with an IP66 rating, BL01 can withstand tough conditions and is resistant to seawater and corrosion. The professional optical solution provides fully anti-glare, comfortable light uniformity.

PERFORMANCE

| | |
|--------------------------|--|
| MODEL NAME | PM-BL01 |
| POWER CONSUMPTION(±10%) | 22/16.5/11/6.6 (SELECTABLE) |
| INPUT VOLTAGE | 110-277VAC, 50/60 HZ |
| LUMINOUS FLUX (±10%) | 2420 Lm @ 22W, 4000K |
| EFFICACY (4000K RA80) | 110 Lm/W |
| DIMMING | 1-10V (Available Only For Single Power) |
| CCT | 3000K/4000K/5000K (Selectable) |
| CRI | 70/80 |
| CONTROL | Radar Sensor/Bluetooth/Photocell |
| SURGE PROTECTION | 6kV LINE-LINE, 15kV LINE-EARTH |
| POWER FACTOR | >0.9 |
| FLICKER FACTOR | <5% |
| THD | <20% |
| MATERIAL | Aluminum Body, UV Resistant PC Lens |
| FINISH | Powder Coating |
| FIXTURE COLOR | Black |
| LUMINAIRE NET WEIGHT | 4.8kg (10.57LBS) TO 7.1kg (15.64LBS) |
| PRODUCT DIMENSION | Ø6.5"xH20"-42" |
| IP RATING | IP66 |
| IK RATING | IK08 |
| APPLICATIONS | Outdoor (Such Pathways, Park, etc) |
| OPERATION TEMPERATURE | -30°C TO +45°C (-22F TO +113F) |
| CERTIFICATIONS | cETL Listed |
| WARRANTY | 5 Years |
| LIFESPAN OF LED @TA=25°C | 57000 HRS, L90 150000 HRS, L80 236000 HRS, L70 |

OVERVIEW

- Side shield for asymmetric beam available
- Dimmable
- IP66 and IK08
- Excellent corrosion resistance
- Custom height of 20" to 42" available



SPECIFICATIONS

■ OPTICS

Side shield accessory can provide asymmetrical beam if necessary. Beam angle type V: 140°x53°.

■ ELECTRICAL

Voltage: 110-277 Vac, 50 / 60 Hz
Flicker Factor: <5%
THD: <20%
Power Factor: >0.9

■ ENVIRONMENT & CERTIFICATIONS

cETL listed for wet locations

■ WARRANTY

5 years limited warranty

■ CONTROL

1-10V dimming available

■ FINISH

The powder-coated finish ensures a uniform appearance, offering long-term durability and superior aesthetics

■ HOUSING MATERIAL

Die-cast aluminum housing and UV resistant PC lens ensures durability and efficiency with anticorrosion protection for harsh environments.

■ LED SYSTEM

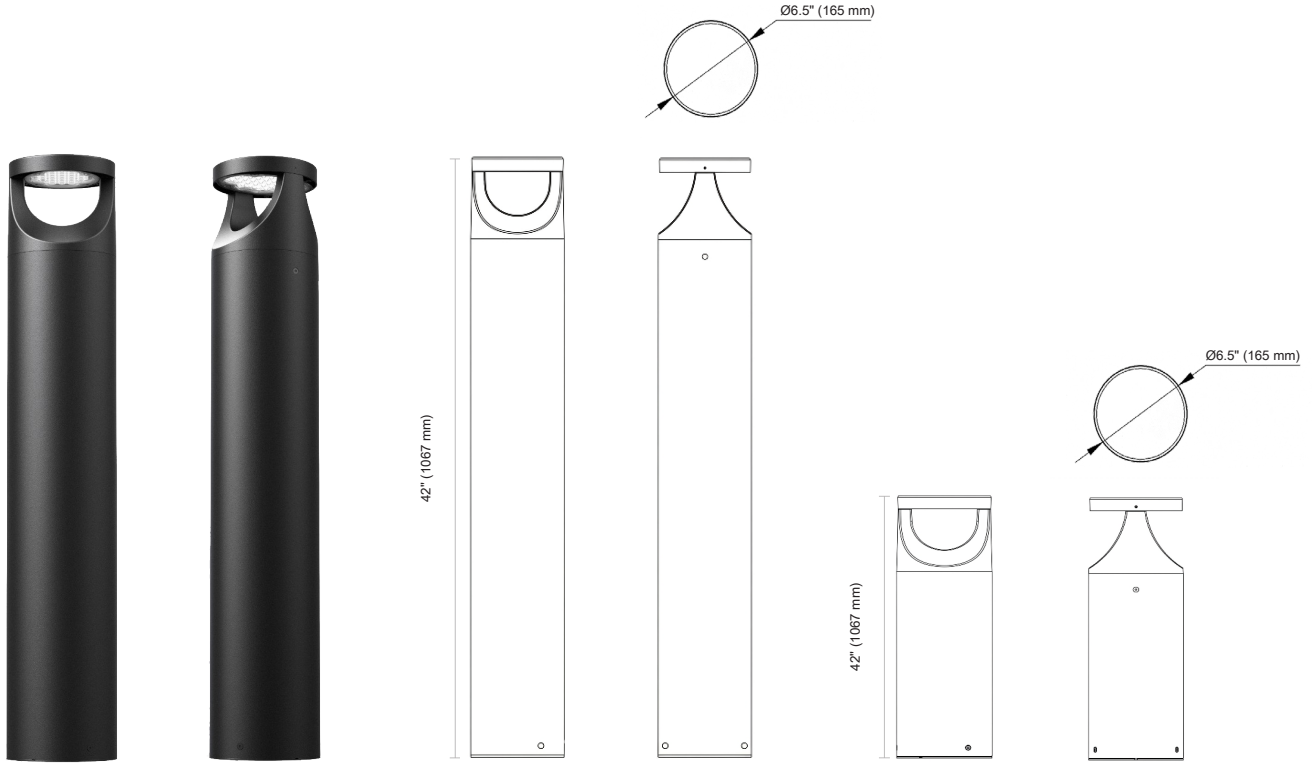
CRI With a 70 or 80 color rendering index (CRI), this product delivers adequate illumination.

CCT 3CCT selectable with excellent color consistency.

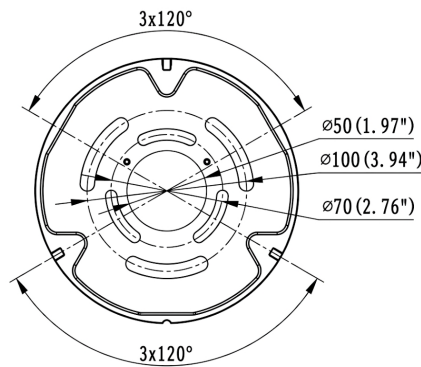
PM-BL01

LED BOLLARD LIGHT SPECIFICATIONS

PRODUCT MODEL & DIMENSIONS



Base Plate Template



PM-BL01

LED BOLLARD LIGHT SPECIFICATIONS

PRODUCT ORDERING GUIDE

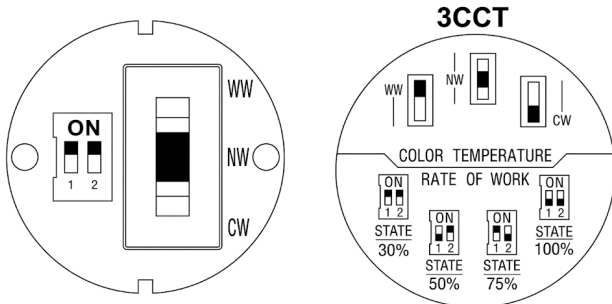
EXAMPLE: PM-BL01-20-70-V-B-S

| | | | | | |
|----------------|------------|------------|-----------|-----------|-------------|
| PM-BL01 | -20 | -70 | -V | -B | -S |
| Series | Height | CRI | Dimming | Finish | Accessories |

| SERIES | HEIGHT | CRI | DIMMING | FINISH | ACCESSORIES |
|---------|-------------------------------------|-----|-----------------------|----------|----------------|
| PM-BL01 | 20: 20 Inches | 70 | V: 1-10V ^① | B: Black | S: Side Shield |
| | 40: 40 Inches XX: 20 - 42 Inches | 80 | N: None | | N: None |

① Dimming Only Available For Single Power

CCT SELECTABLE



ACCESSORIES



Terminal Block With Bracket

For connecting wires, the height of the bracket depends on the height of bollard



Side Shield

For asymmetrical beam



Backfilled Anchor

Ø 5.12" x 19.88" (130x508mm)



Terminal Box

PM-BL01

LED BOLLARD LIGHT SPECIFICATIONS



FINISHING COLOR

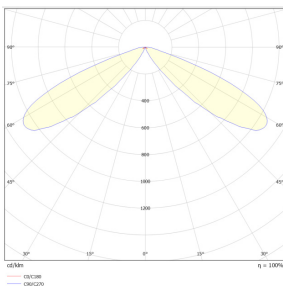


Black



White

LIGHT DISTRIBUTION



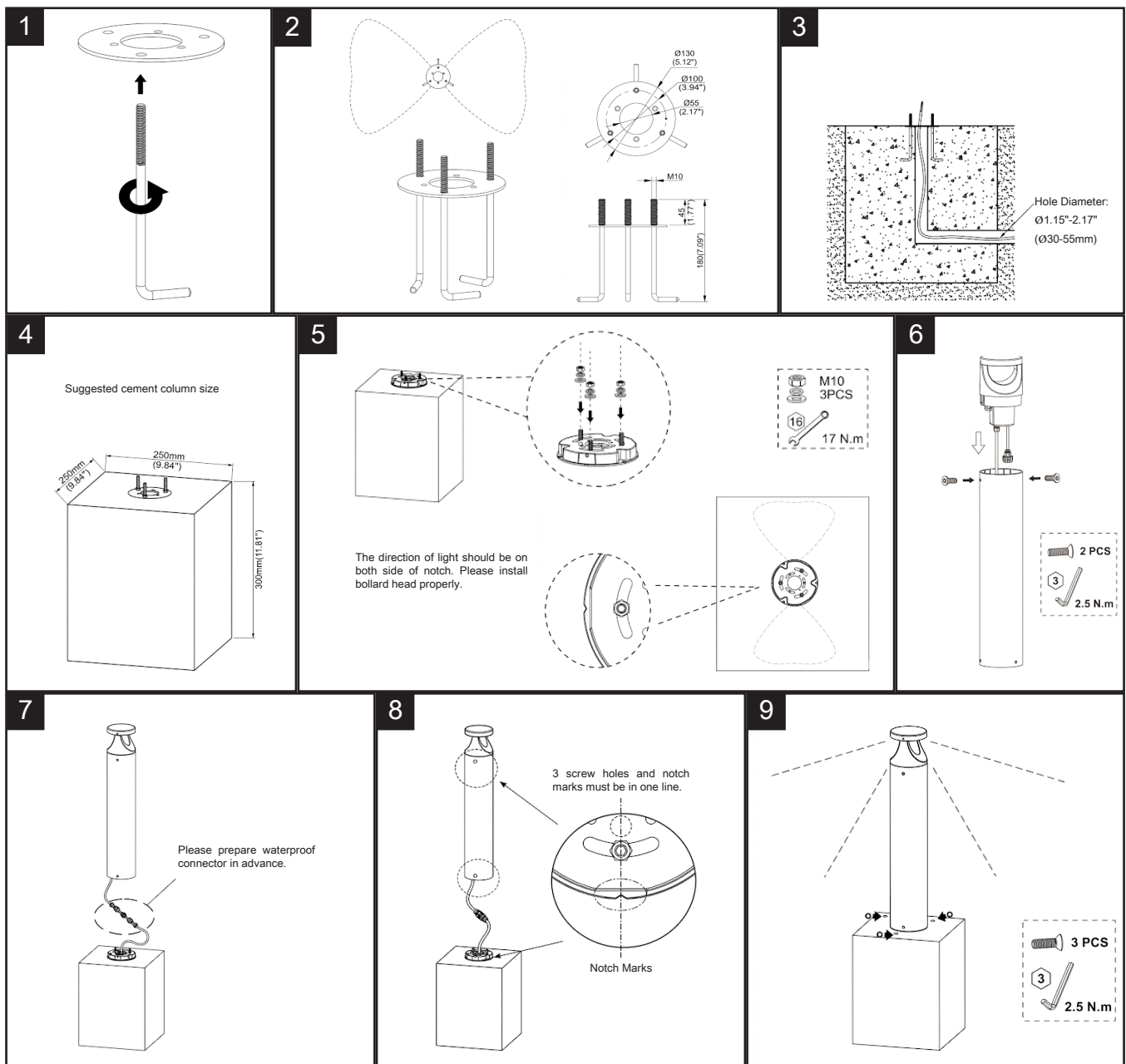
Beam angle

INSTALLATION INSTRUCTIONS

Please read these instructions carefully before commencing installation and retain for future reference. If in doubt, we advise that you consult a qualified electrician to install the product. These products must not be modified. If any modification is made it may invalidate the warranty and may render the product unsafe. All electrical installations must be carried out according to national electrical code & local regulations.

Important Safety Notes

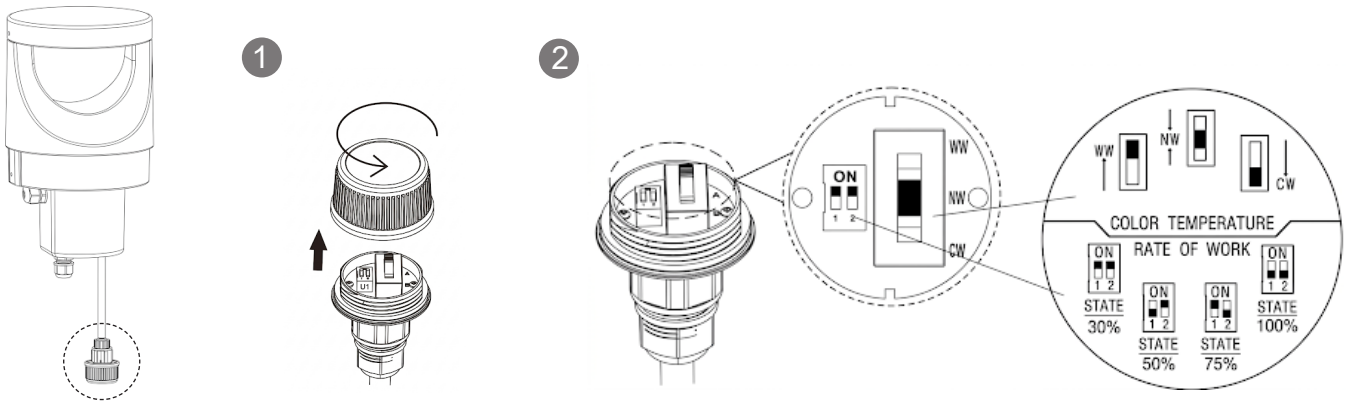
1. Switch off the electricity at the mains before commencing installation (if a fuse box is used) remove the appropriate circuit fuse to avoid accidental switching on of the mains supply.
2. Connect to a 120-277V supply in accordance with relevant electrical standards.
3. Make sure all connections are tight with no loose strands.
4. Ensure fire regulations are not breached when fitting your lights.
5. If you are in any doubt regarding these instructions, consult a qualified electrician.



PM-BL01

LED BOLLARD LIGHT SPECIFICATIONS

POWER & CCT SELECTABLE



| | | |
|-----------------------|--------------------------------|---------------------------|
| PRODUCT SPECIFICATION | 22 W | |
| INPUT VOLTAGE | 120-277 VAC | |
| POWER FREQUENCY | 50 / 60 Hz | |
| SIZE | Ø 6.5" x 19.69" (165x500mm) | Ø 6.5" x 42" (165x1067mm) |
| NET WEIGHT | 10.58±0.66Lbs (4.8±0.3kg) | 15.65±0.66Lbs (7.1±0.3kg) |
| WORKING TEMPRATURE | -30°C TO +45°C (-22F TO +113F) | |
| STORING TEMPRATURE | -40°C TO +70°C (-40F TO +158F) | |

AC Cords

| | | | |
|---|--------------|--|-------|
| L | brown | | black |
| N | blue | | white |
| | yellow/green | | green |

DIM Cords

Note: Color for DIM cords subject to the cable lable on luminaire.



Warning! Do not wire DIM cord to high voltage, or DIM function will fail.

- This luminaire can be outdoor use.
- For type Y attachments:
If the external flexible cable or cord of this luminaire is damaged, it shall be exclusively replaced by the manufacturer or his service agent or a similar qualified person in order to avoid a hazard.
- The light source contained in this luminaire shall be only replaced by the manufacturer or his service agent or a similar qualified person.