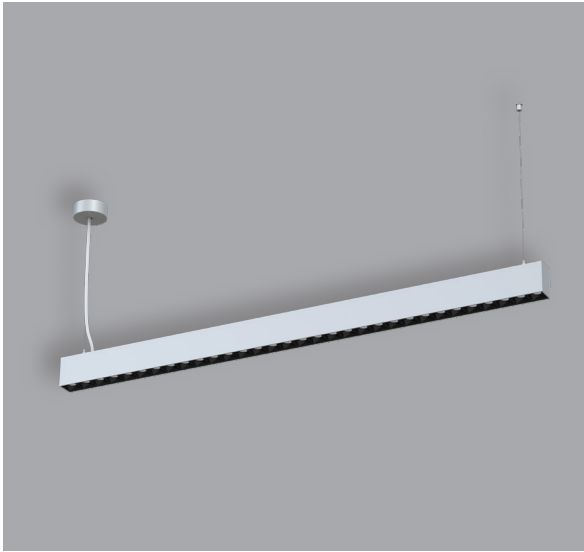


PL04-DIRECT/INDIRECT

PENDANT LINEAR LIGHT SPECIFICATIONS



Job Information	
Project Name	
Type	
Location	
Quantity	
Date	

DESCRIPTION

PL04 is a louvered pendant linear fixture engineered for direct and indirect illumination—ideal for commercial interiors and workspace environments. Its design balances clean aesthetics with performance, delivering uniform, visually comfortable light in demanding interior settings. The linkable design features micro reflector and anti-glare cover.

OVERVIEW

- Linkable direct/indirect linear light
- Simple, easy and quick installation
- Efficient lighting up to 100 LM/W
- Flexible prismatic diffuser
- UGR<15 provides visual comfort

PERFORMANCE

MODEL NAME	PL04
POWER CONSUMPTION(±10%)	↑36W/24W↓(60W) - ↑42W/28W↓(70W)
INPUT VOLTAGE	120-277VAC
EFFICACY	100Lm/W
DIMMING	0-10V/DALI
CCT	3000/4000/6000K- As Option: 3500/5000K
CRI	>80
UGR	<15
POWER FACTOR	≥0.9
MOUNTING	Pendant
OPTICS OPTIONS	SMD5050/SMD2835
COLOR CONSISTENCY SDCM	<3
BEAM ANGLE	↑140°/80°↓ - ↑140°/50°↓
FIXTURE COLOR	Silver/White/Black
FIXTURE MATERIAL	6063AL
IP RATING	IP20
APPLICATIONS	Indoor
NET WEIGHT	3.2kg (7.05lb) - 3.7kg (8.16lb)
STORAGE TEMPERATURE	-40°C TO + 80°C(-40°F TO 176°F)
OPERATION TEMPERATURE	-20°C TO + 45°C(-4°F TO 113°F)
CERTIFICATIONS	cETL Listed
WARRANTY	5 Years
LIFE TIME OF LED @TA=25°C	50000 HRS LM80 ANSI/IES

PL04-DIRECT/INDIRECT

PENDANT LINEAR LIGHT SPECIFICATIONS



SPECIFICATIONS

■ OPTICS

Direct and indirect lighting. 80°/50° beam angle direct and 140° beam angle indirect, deliver much more comfortable lighting for space. UGR less than 15

■ ELECTRICAL

Voltage: 120-277VAC

■ ENVIRONMENT & CERTIFICATIONS

cETL listed for dry locations

■ WARRANTY

5 years limited warranty

■ MOUNTING

Pendant linkable

■ FINISH

The powder-coated finish ensures a uniform appearance, offering long-term durability and superior aesthetics.

■ HOUSING MATERIAL

Die-cast aluminum housing ensures durability and efficiency, with heat resistance polycarbonate lens.

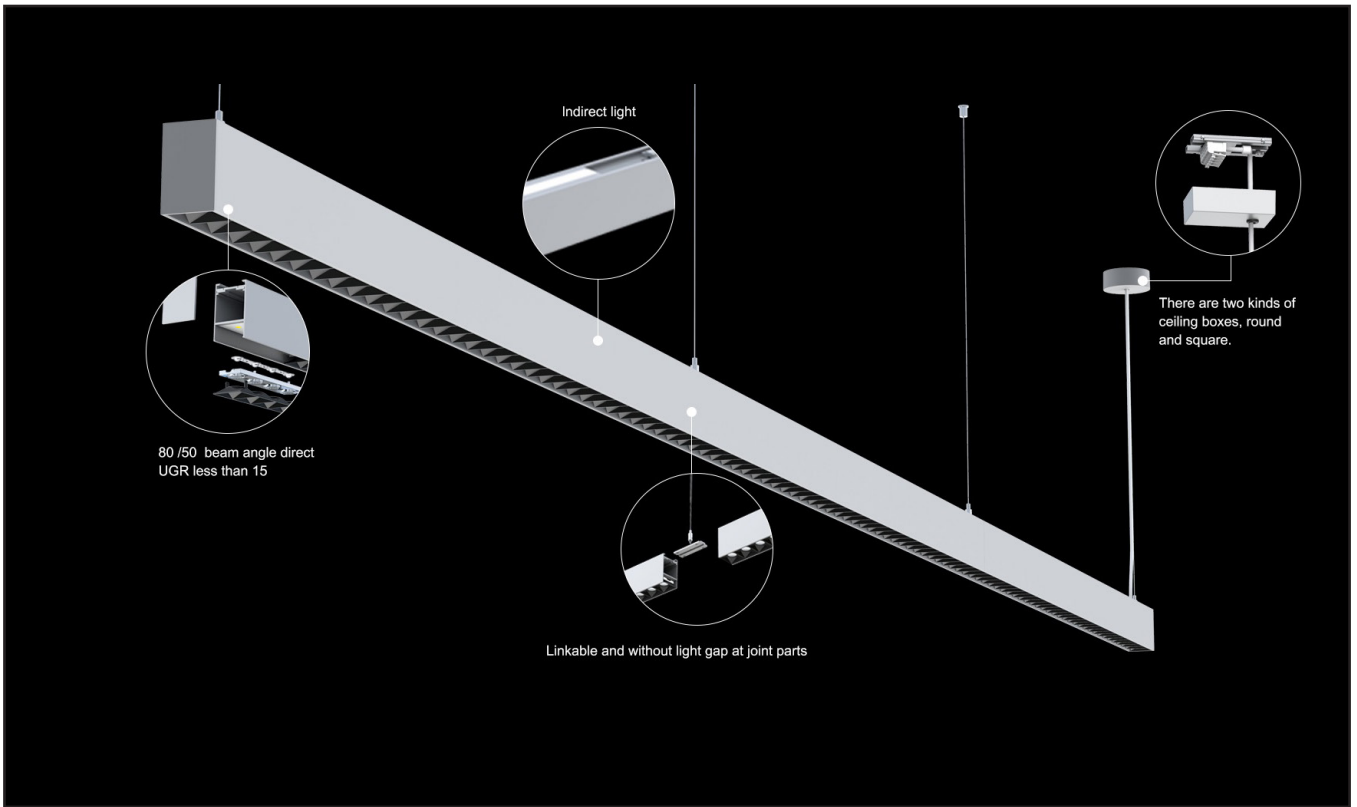
■ LED SYSTEM

CRI With a 80+ color rendering index (CRI), this product delivers outstanding illumination, featuring tight chromaticity specifications and a precise color binning process to ensure consistency in CRI and CCT.

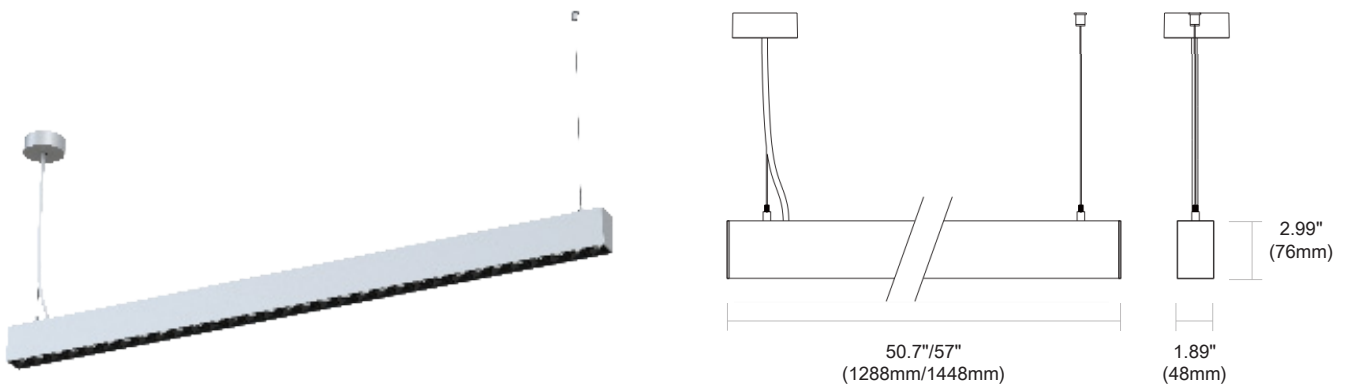
CCT Available in 3000K, 4000K, 6000K with excellent color consistency.

PL04-DIRECT/INDIRECT

PENDANT LINEAR LIGHT SPECIFICATIONS



PRODUCT MODEL & DIMENSIONS



PL04-DIRECT/INDIRECT

PENDANT LINEAR LIGHT SPECIFICATIONS

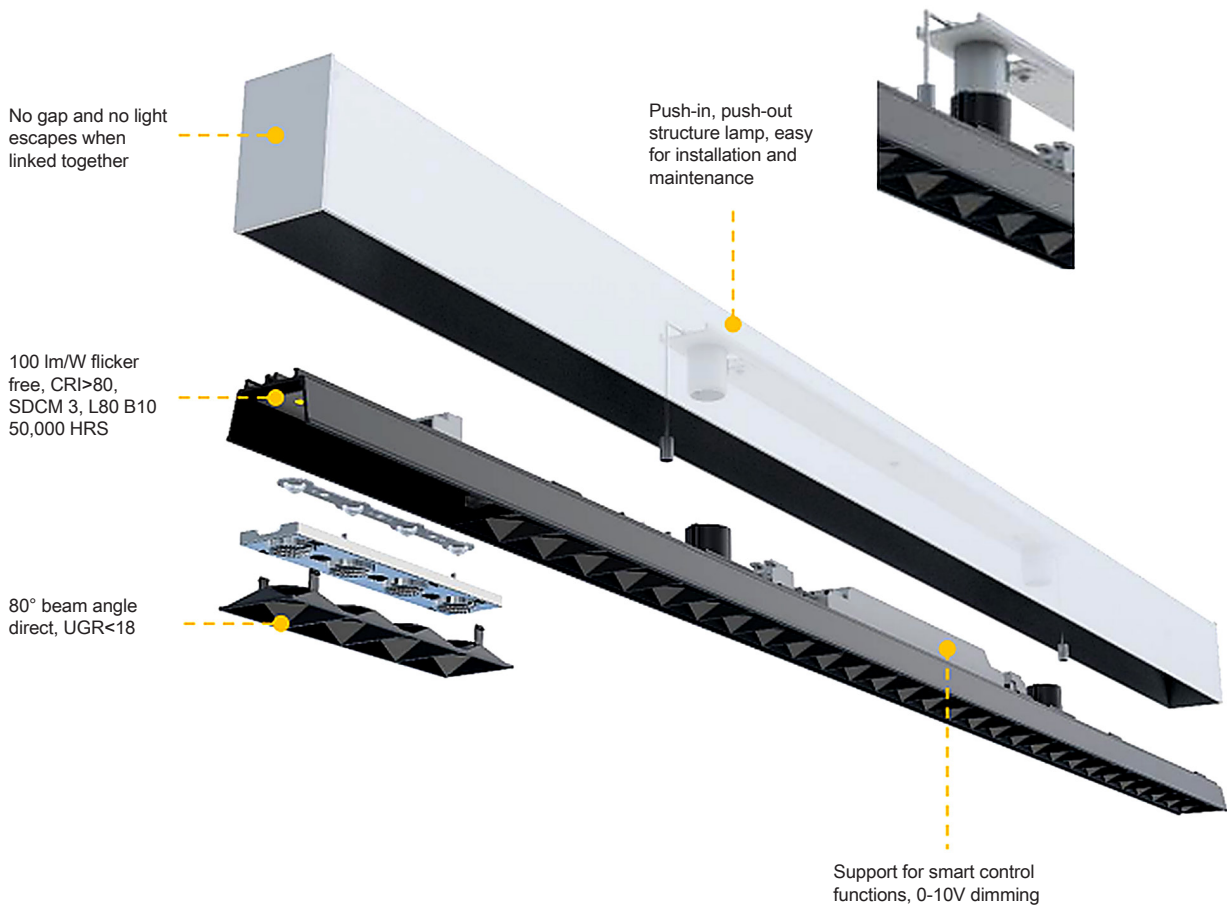
PRODUCT ORDERING GUIDE

EXAMPLE: PL04-1200-60W-H-80-40K-D-SL-PIR-L-2

PL04	-1200	-60W	-H	-80	-40K	-D	-SL	-PIR	-L	-2
Series	Model	Wattage	Luminous Flux	Beam Angle	CCT	Dimming	Finish	Control Option	Linkable Option	Fixture Quantity

SERIES	LENGTH	WATTAGE	LUMINOUS FLUX	BEAM ANGLE	CCT	DIMMING	FINISH	CONTROL OPTION	LINKABLE OPTION	FIXTURE QUANTITY
PL04	1200: 1288mm(50.7")	60W: †36W/24W‡	H: †4200Lm/3250Lm‡ (SMD5050/4000K) L: †3500Lm/2800Lm‡ (SMD2835/4000K)	50: †140°/50°‡ 80: †140°/80°‡	Standard: 30K: 3000K 40K: 4000K 60K: 6000K Available on request: 35K: 3500K 50K: 5000K	V: 0-10V D: DALI N: None	SL: Silver WH: White BK: Black	PIR: PIR Micro-wave Sensor N: None	S: Single L: Linkable	Number of Fixtures ^①
PL04	1500: 1448mm(57")	70W: †42W/28W‡	H: †5050Lm/4050Lm‡ (SMD5050/4000K) L: †4100Lm/3300Lm‡ (SMD2835/4000K)	50: †140°/50°‡ 80: †140°/80°‡	Standard: 30K: 3000K 40K: 4000K 60K: 6000K Available on request: 35K: 3500K 50K: 5000K	V: 0-10V D: DALI N: None	SL: Silver WH: White BK: Black	PIR: PIR Micro-wave Sensor N: None	S: Single L: Linkable	Number of Fixtures ^①

① For linkable configurations, specify the total number of fixtures to be connected in sequence (starting from 2 units) to ensure the appropriate number of connectors is provided. Example: 2, 3, 4, 5...



PL04-DIRECT/INDIRECT

PENDANT LINEAR LIGHT SPECIFICATIONS



FINISHING COLOR



Silver

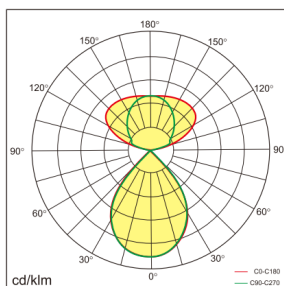


White



Black

Light Distributions



PL04-DIRECT/INDIRECT

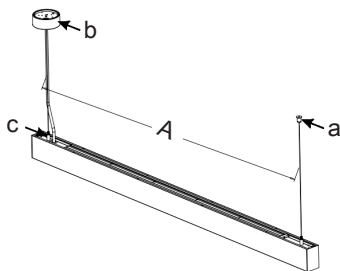
PENDANT LINEAR LIGHT SPECIFICATIONS

INSTALLATION INSTRUCTIONS

Please read these instructions carefully before commencing installation and retain for future reference. If in doubt, we advise that you consult a qualified electrician to install the product. These products must not be modified. If any modification is made it may invalidate the warranty and may render the product unsafe. All electrical installations must be carried out according to national electrical code & local regulations.

Important Safety Notes

1. Switch off the electricity at the mains before commencing installation (if a fuse box is used) remove the appropriate circuit fuse to avoid accidental switching on of the mains supply.
2. Connect to a 120-277V supply in accordance with relevant electrical standards.
3. Make sure all connections are tight with no loose strands.
4. Ensure fire regulations are not breached when fitting your lights.
5. If you are in any doubt regarding these instructions, consult a qualified electrician.



FIXTURE LENGTH	A
1288mm(50.7")	1180mm (46.46")
1448mm(57")	1340mm (52.75")

