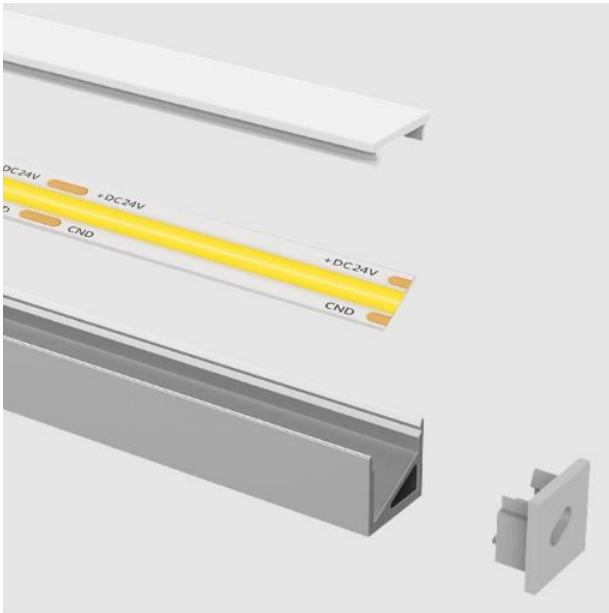
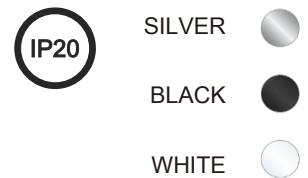


# LP1212

## LED LINEAR LIGHT PROFILE SPECIFICATIONS



Job Information	
Project Name	
Type	
Location	
Quantity	
Date	



## DESCRIPTION

LP1212 and LP1212D are designed for surface-mounted applications. Its sleek, architectural form makes it suitable for use as a decorative lighting element or as an integrated part of architectural designs.

LP1212-1 and LP1212-1D are recessed or mud-in aluminum profile, designed to blend seamlessly into walls and ceilings. Whether in linear, angled, or custom patterns, it lets you play with light lines—as wide and as long as your design demands.

LP2012 and LP2012D are for seamless integration into millwork, tile, concrete, and other masonry finishes, and offers a clean, architectural lighting solution for detailed construction environments.

Perfect for both residential and commercial spaces, these profiles bring a modern, minimal lighting touch without visible trims or frames.

Available in 10' lengths, a variety of colors, and diffuser options, they are the ideal solution for bold, creative, and clean lighting integration.

## PERFORMANCE

MODEL NAME	LP1212, LP2012, LP1212-1 LP1212D, LP2012D, LP1212-1D
MOUNTING OPTIONS	SURFACE/RECESSED
LIGHT SOURCE TYPE	COB/SMD LED STRIP
LIGHT SOURCE WIDTH	8 mm MAX
PC COVER	OPAL/TRANSPARENT/DIFFUSER
FINISH	ANODIZED PAINTING
COLOR	BLACK/WHITE/SILVER
IP	20
WARRANTY	3 YEARS
APPLICATIONS	INTERIOR, RESIDENTIAL, COMMERCIAL

## PRODUCT ORDERING GUIDE

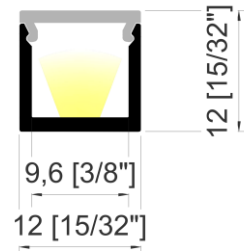
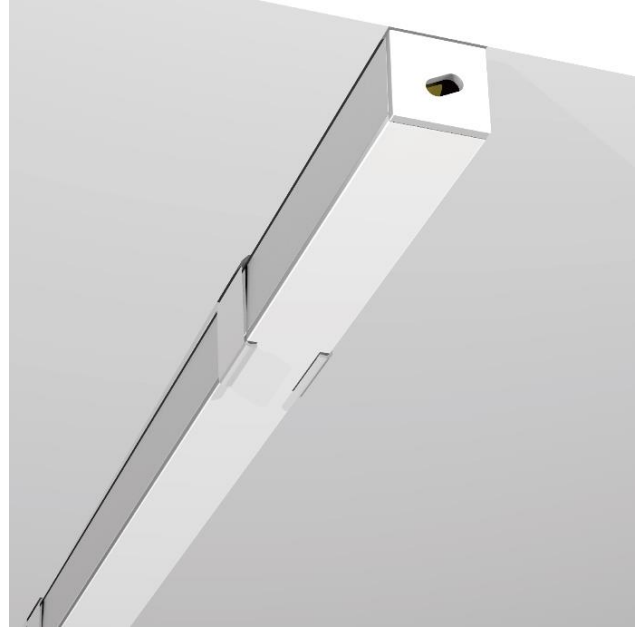
EXAMPLE: LP1212D-3M-SL-O

SERIES	LENGTH	REFLECTOR FINISH	PC COVER
LP1212	1M	WH: WHITE	O: OPAL
LP1212D	2M	SL: SILVER	C: CLEAR
LP1212-1	3M	BK: BLACK	D: DIFFUSER
LP1212-1D			
LP2012			
LP2012D			

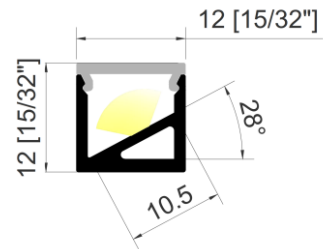
# LP1212

## LED LINEAR LIGHT PROFILE SPECIFICATIONS

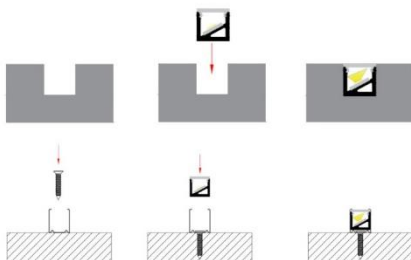
### LP1212, LP1212D



LP1212



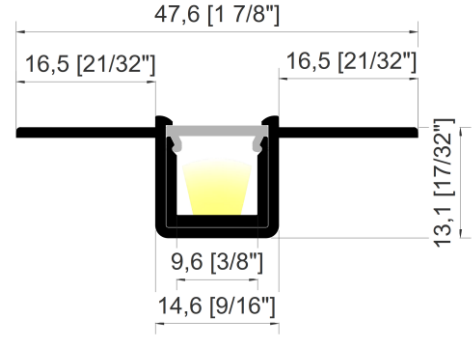
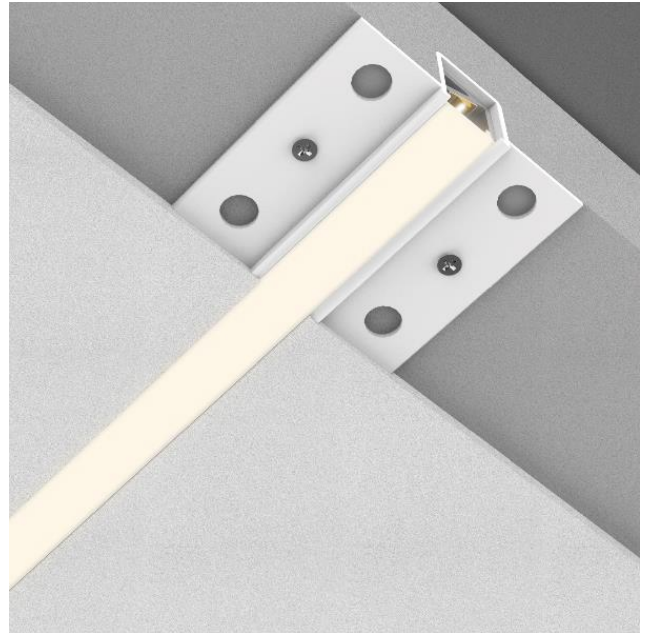
LP1212D



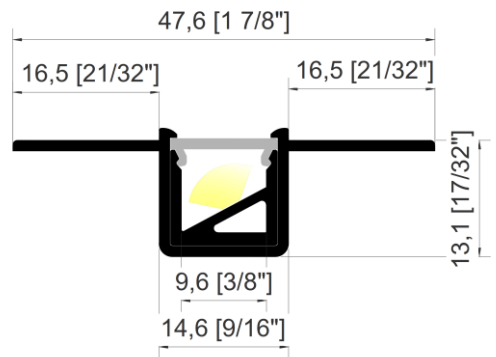
# LP1212

## LED LINEAR LIGHT PROFILE SPECIFICATIONS

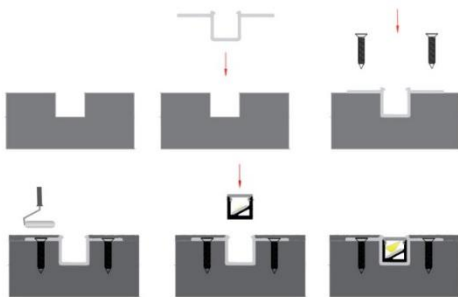
### LP1212-1, LP1212-1D



LP1212-1



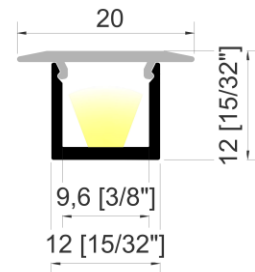
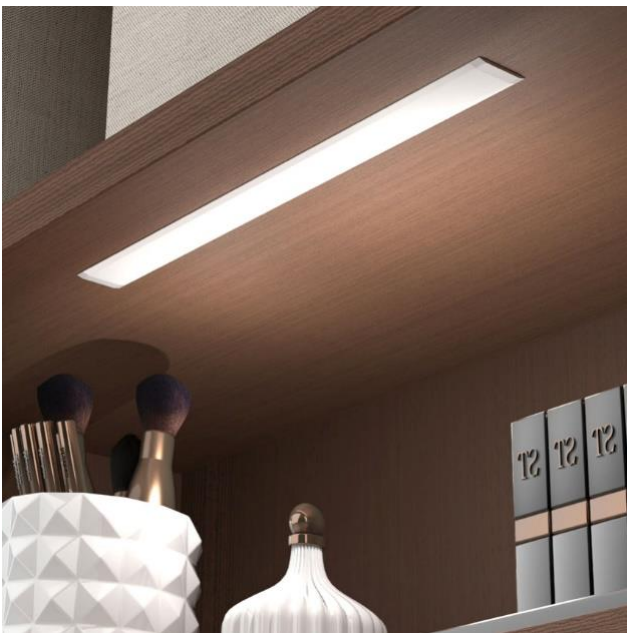
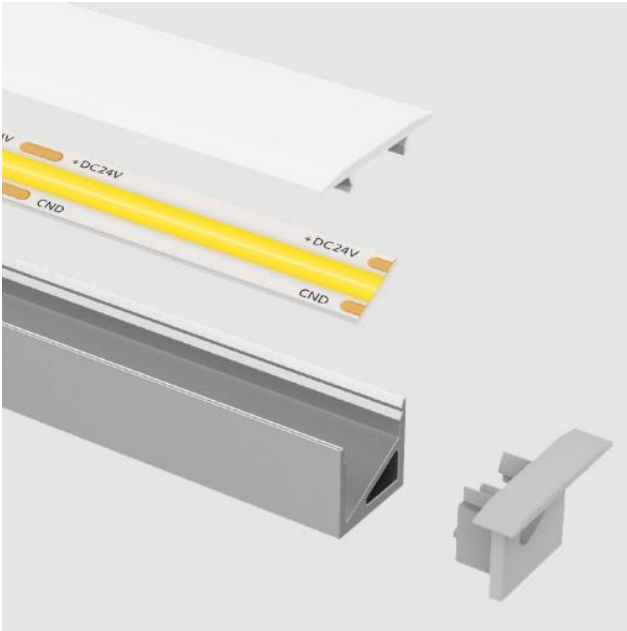
LP1212-1D



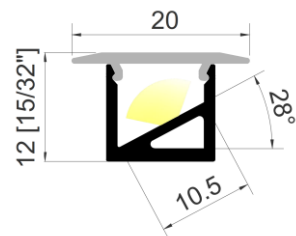
# LP1212

## LED LINEAR LIGHT PROFILE SPECIFICATIONS

### LP2012, LP2012D



LP2012



LP2012D

