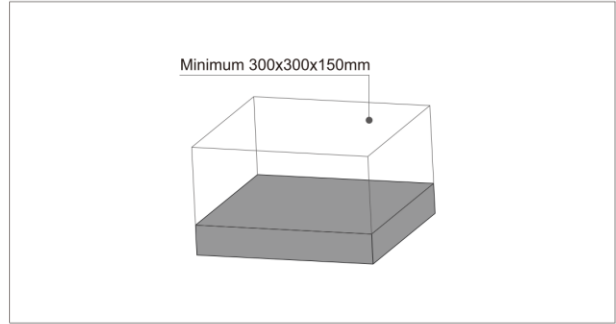
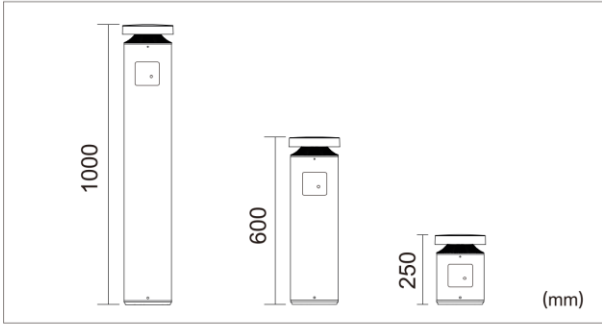
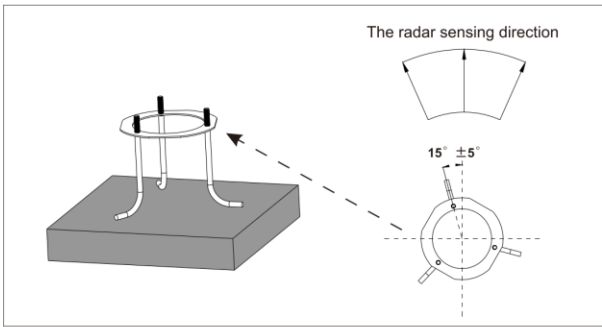


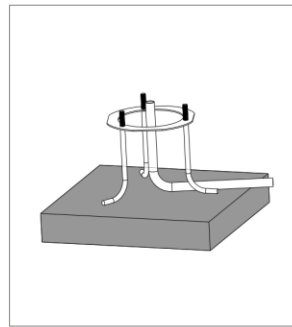
INSTALLATION INSTRUCTIONS



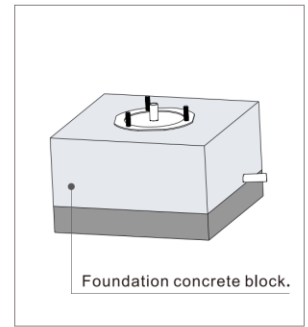
1. Dig a hole with minimum size 300x300x150mm



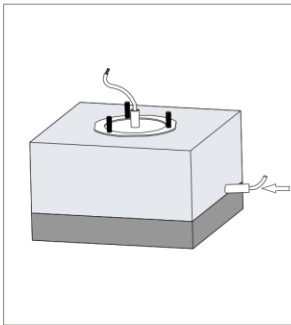
2. Put the L-type bracket into the hole  
(Pay attention to the radar sensing direction)



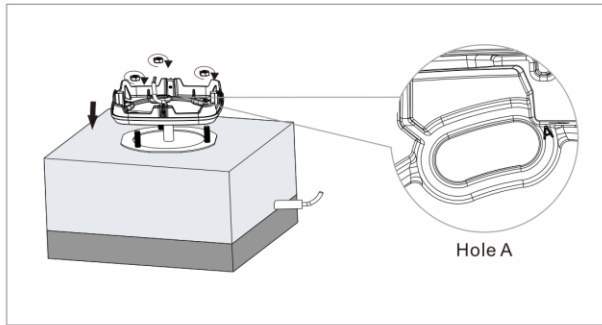
3. Install the conduit tube



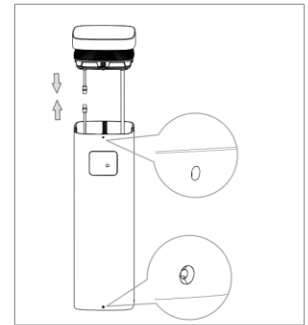
4. Make sure the bracket plate is flat with ground .



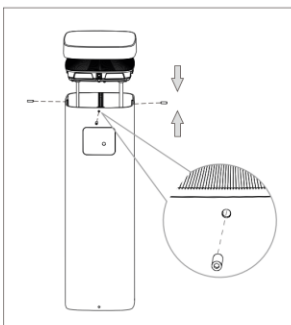
5. Put the wire through conduit tube



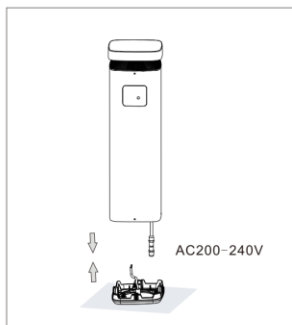
6. Fix the mounting plate to the L-type bracket



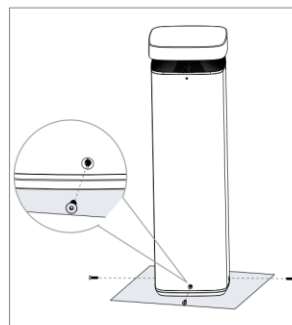
7. Connect the wires



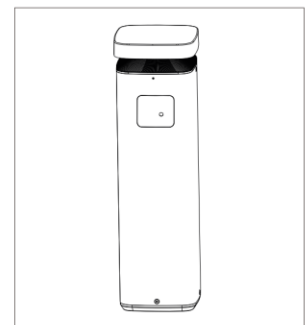
8. Fix the bollard head and bollard tube



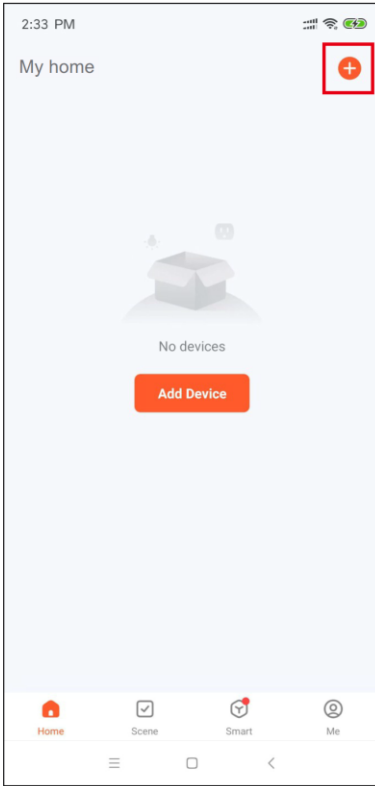
9. Connect the bollard wire to the electricity cable



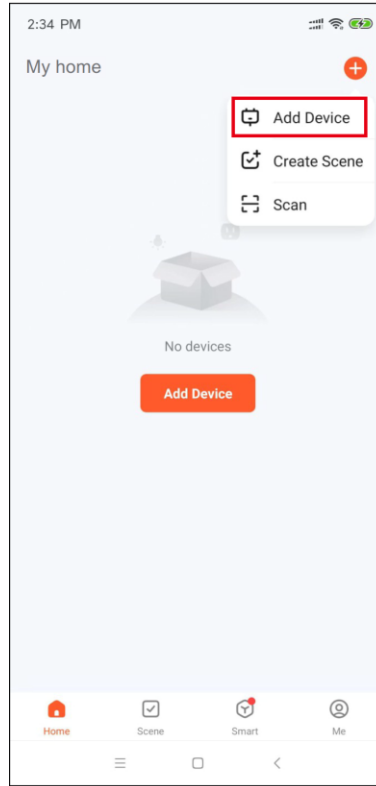
10. Fix the bollard tube onto the mounting base, Pay attention to the radar sensing direction.



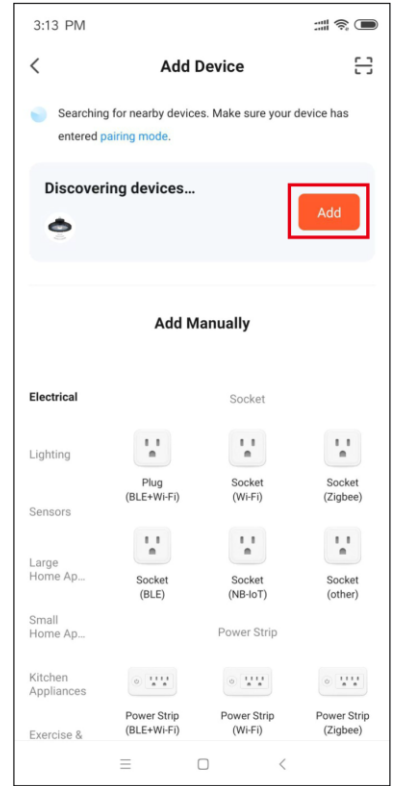
## TUYA BLUETOOTH INSTALLATION INSTRUCTIONS



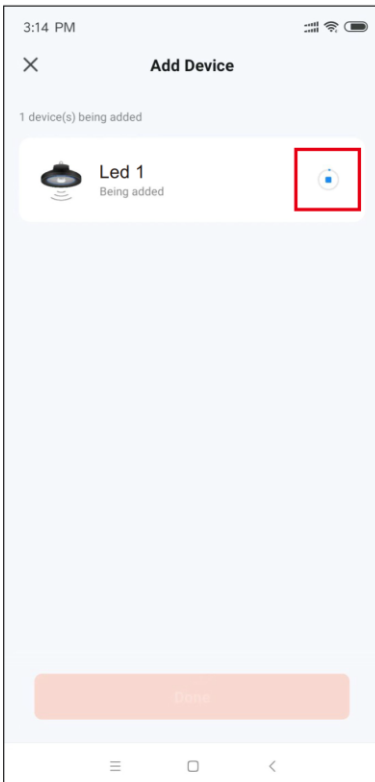
1. Open TUYA app and click "+"



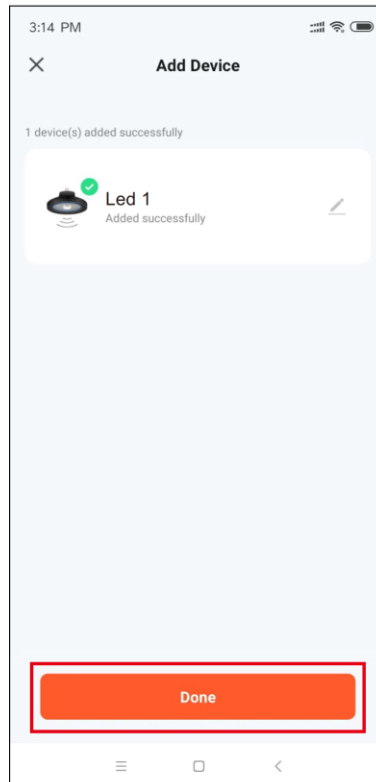
2. Choose "Add Device "



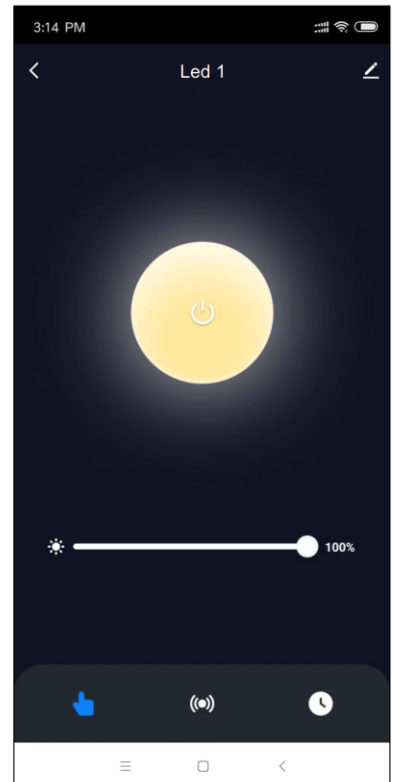
3. Click "Add "



4. Add Device

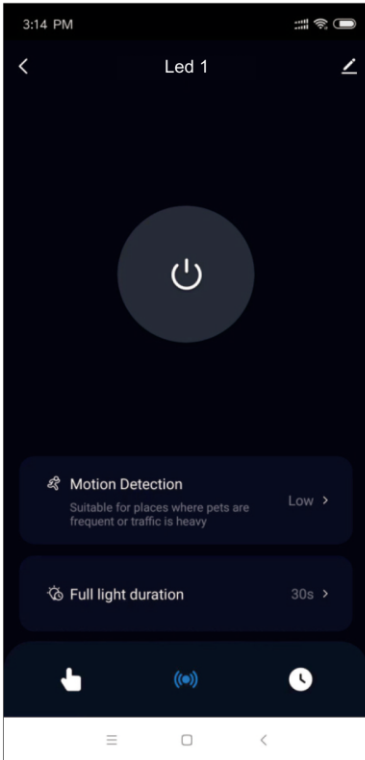


5. Add Device completed

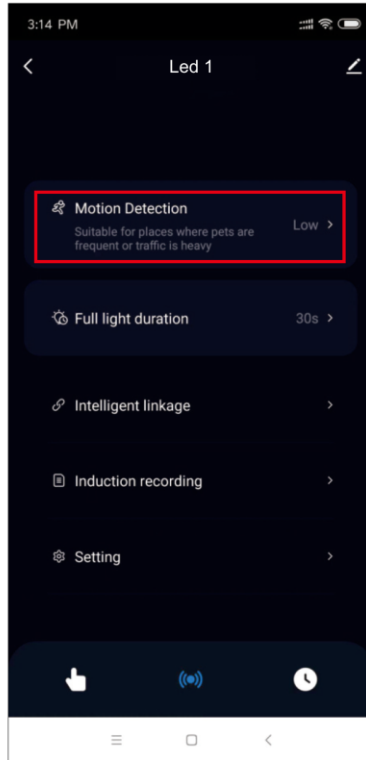


6. On/off and Dimming

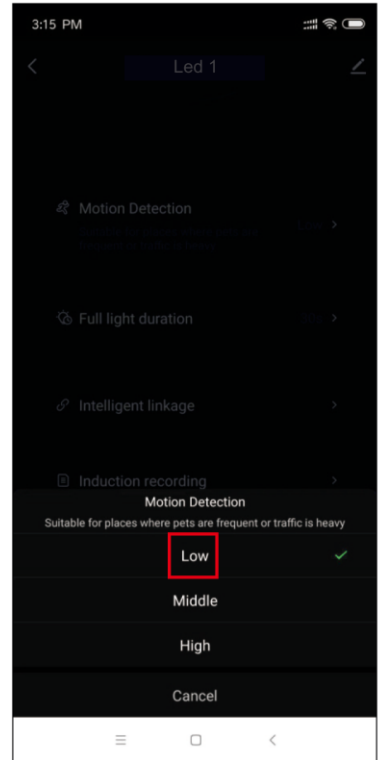
TUYA BLUETOOTH INSTALLATION INSTRUCTIONS



7. Open Radar sensor

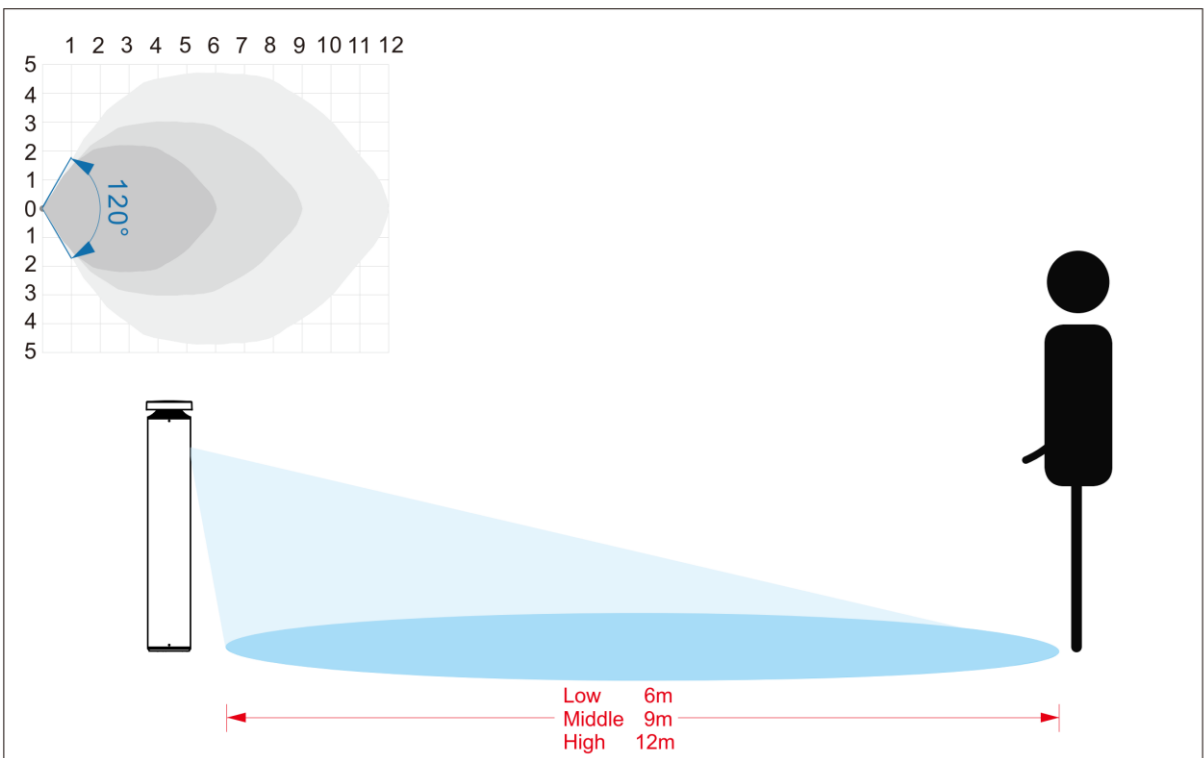


8. Motion Detection

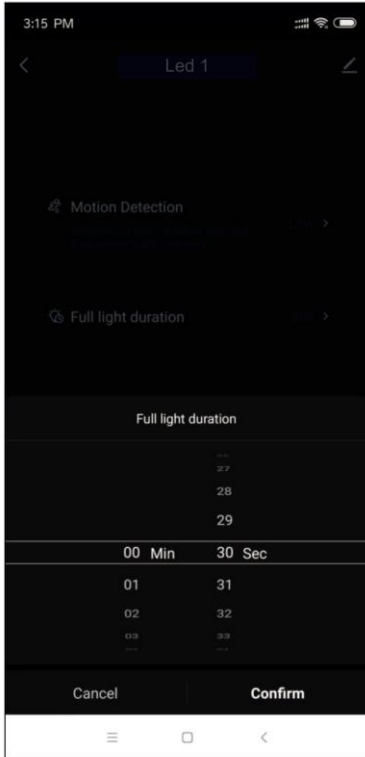


9. Click " Low "

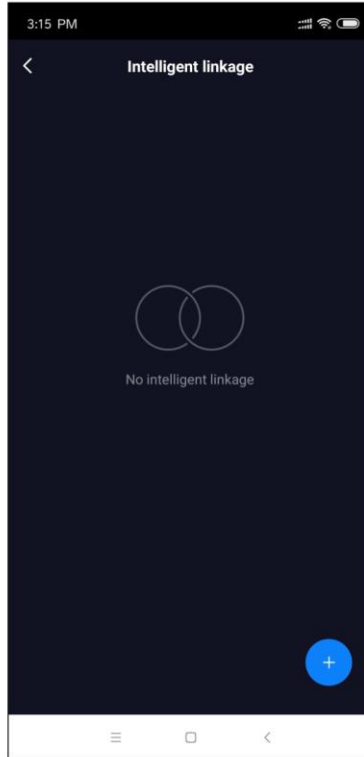
Detectable area



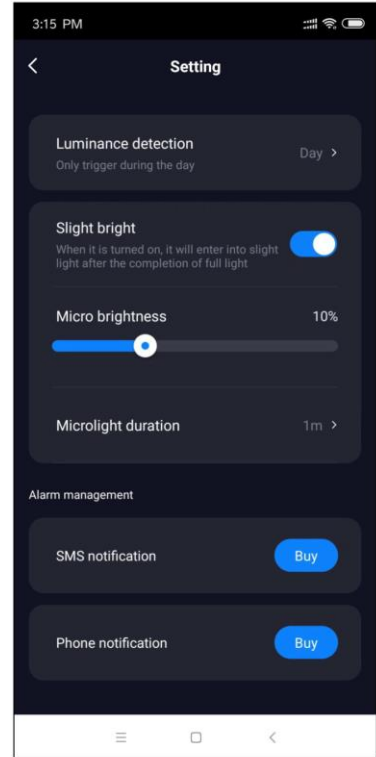
## TUYA BLUETOOTH INSTALLATION INSTRUCTIONS



10. Full light duration



11. Intelligent linkage



12. Setting (Luminance detection, Only trigger during the day)