

FL03

FLOOD LIGHT SPECIFICATIONS



Job Information	
Project Name	
Type	
Location	
Quantity	
Date	



OVERVIEW

- Glare free optics, anti glare baffle is available as an option
- 60W to 200W noise-free and flicker-free drivers, TRIAC/120V, DALI, or 1-10V/100-277V
- True color – 80 CRI, produces outstanding illumination
- RGBW option / color changing, RGWB control with DMX512

DESCRIPTION

Equipped with cutting-edge optics that ensure quality lighting, this flood light is ideal for low-glare façade lighting. It can withstand harsh weather conditions, including salty and alkaline environments such as seaside locations. The 80 CRI option produces outstanding illumination with tight chromaticity specifications and color binning processes, ensuring CRI and CCT consistency. This fixture is versatile and can be used in various settings, including the highlighting of high-rise structural details, as well as indoor and outdoor sculptures in residential, commercial, and office spaces.

FL03

FLOOD LIGHT SPECIFICATIONS

PERFORMANCE

MODEL NAME	FL03-S-09	FL03-S-12	FL03-S-15	FL03-S-18	FL03-S-24	FL03-S-36	FL03-S-48
POWER CONSUMPTION(±10%)	9 W	12 W	15 W	18 W	24 W	36 W	48 W
INPUT VOLTAGE	24 VDC						
LUMINOUS FLUX (±10%)	675 LM	900 LM	1125 LM	1350 LM	1800 LM	2700 LM	3600 LM
EFFICACY(4000K RA80)	75 LM/W	75 LM/W	75 LM/W	75 LM/W	75 LM/W	75 LM/W	75 LM/W
DIMMING	TRIAC/0-10V/DALI						
CCT	2700K/3000K/4000K						
CRI	>80						
BEAM ANGLE	11°/22°/34°/48°						
FINISH	DARK GREY						
POWER CORD LENGTH	50 CM STANDARD (UP TO 8 METERS OPTIONAL)						
IP RATING	IP65						
IK RATING	IK06						
OPERATING TEMPERATURE	-20°C TO + 55°C(-4°F TO 131°F)						
LIFESPAN OF LED @TA=25°C	50000 HRS						
WARRANTY	5 YEARS						

MODEL NAME	FL03-09-RGBW	FL03-RGBW-12	FL03-RGBW-15	FL03-RGBW-18	FL03-RGBW-24	FL03-RGBW-36	FL03-RGBW-48
POWER CONSUMPTION(±10%)	9 W	12 W	15 W	18 W	24 W	36 W	48 W
INPUT VOLTAGE	24 VDC						
LUMINOUS FLUX (±10%)	360 LM	480 LM	600 LM	720 LM	960 LM	1440 LM	1920 LM
EFFICACY(4000K RA80)	40 LM/W	40 LM/W	40 LM/W	40 LM/W	40 LM/W	40 LM/W	40 LM/W
DIMMING	TRIAC/0-10V/DALI						
CONTROL	DMX512						
CRI	>80						
BEAM ANGLE	25°/42°/56°						
FINISH	DARK GREY						
POWER CORD LENGTH	50 CM STANDARD (UP TO 8 METERS OPTIONAL)						
IP RATING	IP65						
IK RATING	IK06						
OPERATING TEMPERATURE	-20°C TO + 55°C(-4°F TO 131°F)						
LIFESPAN OF LED @TA=25°C	50000 HRS						
WARRANTY	5 YEARS						

PRODUCT ORDERING GUIDE

EXAMPLE: FL03-S-18-34-2700-80-V-C-S-PC-800

SERIES	TYPE	WATTAGE(W)	BEAM ANGLE	CCT	CRI	DIMMING	OPTIONS
FL03	S: STANDARD	9	11°	2700	80	T: TRIAC	C: CUT-OFF TUBE
		12	22°	3000		V: 0-10V	A: ANTI-GLARE CROSS LOUVER
		15	34°	4000		D: DALI	S: SPIKE
		18	48°				PC-X ①
		24					
		36					
		48					
FL03	RGBW	9	25°	3000	80	DX: DMX512	C: CUT-OFF TUBE
		12	42°	4000			A: ANTI-GLARE CROSS LOUVER
		15	56°				S: SPIKE
		18					PC-X ①
		24					
		36					
		48					

NOTES:

① THE MAXIMUM OPTIONAL LENGTH OF CORD CAN BE UP TO 800CM. THE STANDARD LENGTH IS 50CM. SPECIFY THE OPTIONAL LENGTH IN CM IN PLACE OF "X."



FEATURES

Optics

Cutting-edge optics ensure quality facade lighting. Anti-glare cross louver and cut-off tube come as options to ensure a more glare free solution.

Electrical

Voltage: 24 VDC

Environment & Certifications

cETL listed for wet locations

Warranty

5 years limited warranty

Chip

Powered by Osram high efficiency COB LED chip.

Finish

The powder-coated finish ensures a uniform appearance, offering long-term durability and superior aesthetics.

Housing Material

Die-cast aluminum housing ensures durability and efficiency, Heat tempered transparent glass lens provides higher efficiency.

LED System

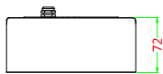
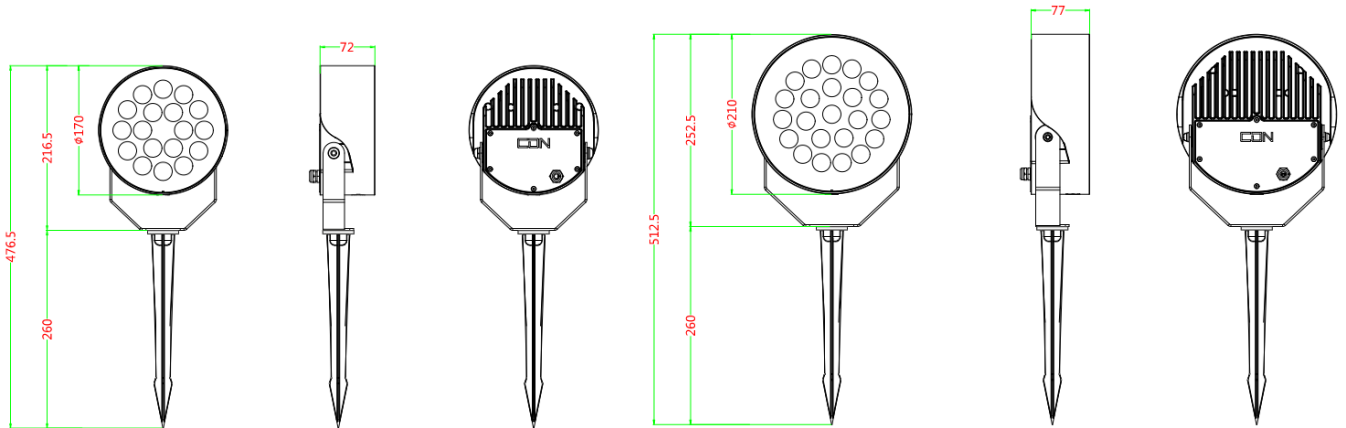
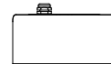
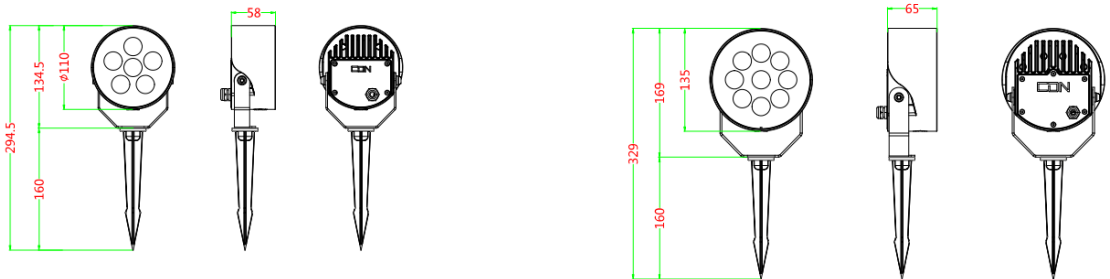
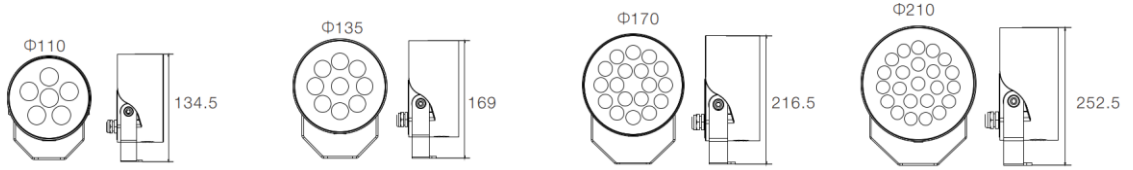
CRI With an 80 color rendering index (CRI), this product delivers outstanding illumination, featuring tight chromatically specifications and a precise color binning process to ensure consistency in CRI and CCT.

CCT Available in 2700K, 3000K, and 4000K, with excellent color consistency.

FL03

FLOOD LIGHT SPECIFICATIONS

DIMENSIONS (mm)

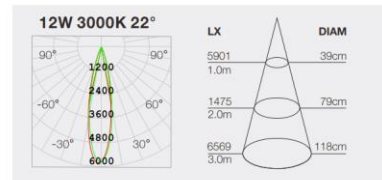
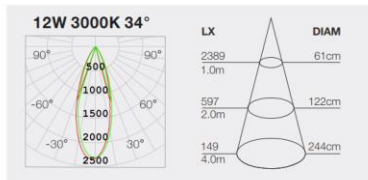
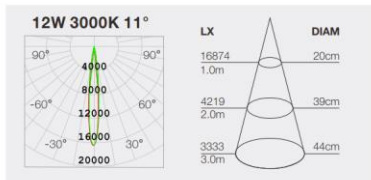


FL03

FLOOD LIGHT SPECIFICATIONS

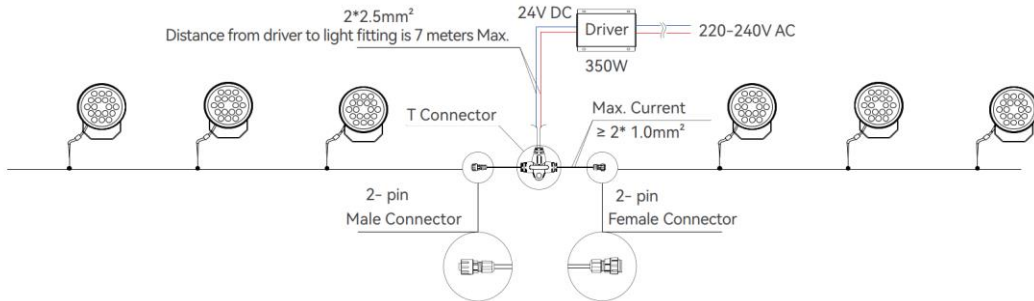


PHOTOMETRIC INFORMATION



WIRING DIAGRAMS

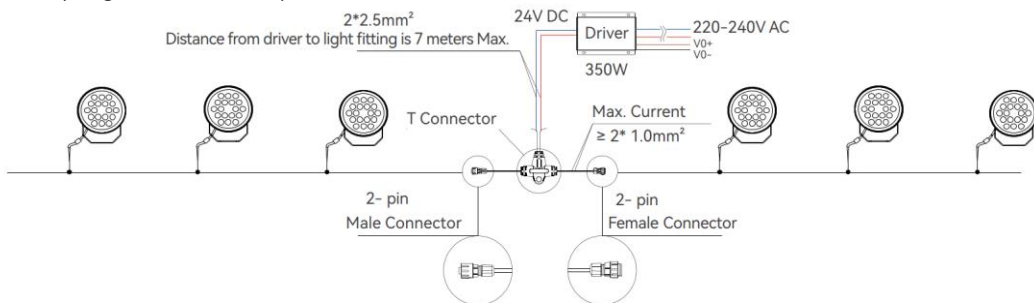
ON/OFF (Single CCT)



Remarks:

Driver is recommended to be installed in the middle of lights, the lights are on two sides, total length of each side is 10m Max. and total wattage of each side shall be less than 140W

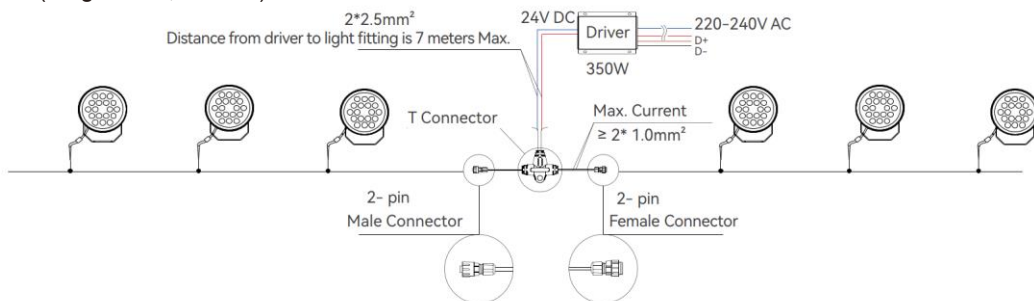
0-10V (Single CCT, DC24V)



Remarks:

Driver is recommended to be installed in the middle of lights, the lights are on two sides, total length of each side is 10m Max. and total wattage of each side shall be less than 140W

DALI (Single CCT, DC24V)

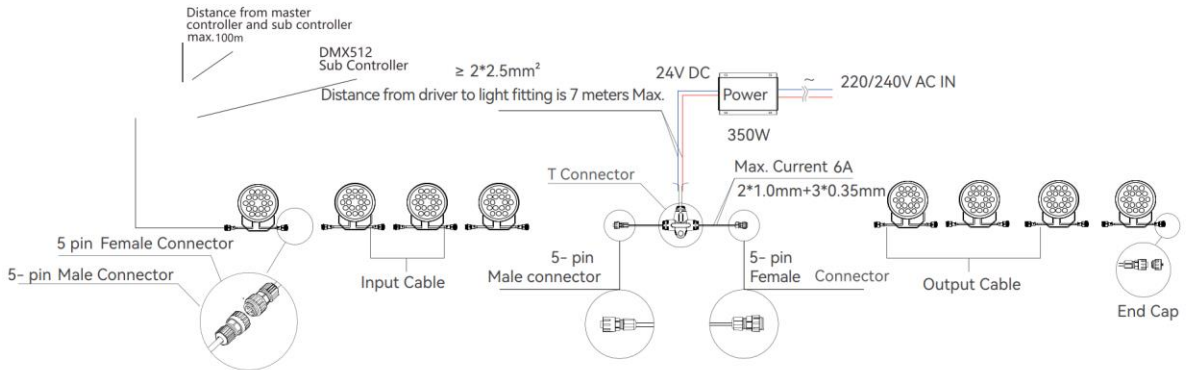


Remarks:

Driver is recommended to be installed in the middle of lights, the lights are on two sides, total length of each side is 10m Max. and total wattage of each side shall be less than 140W

WIRING DIAGRAMS

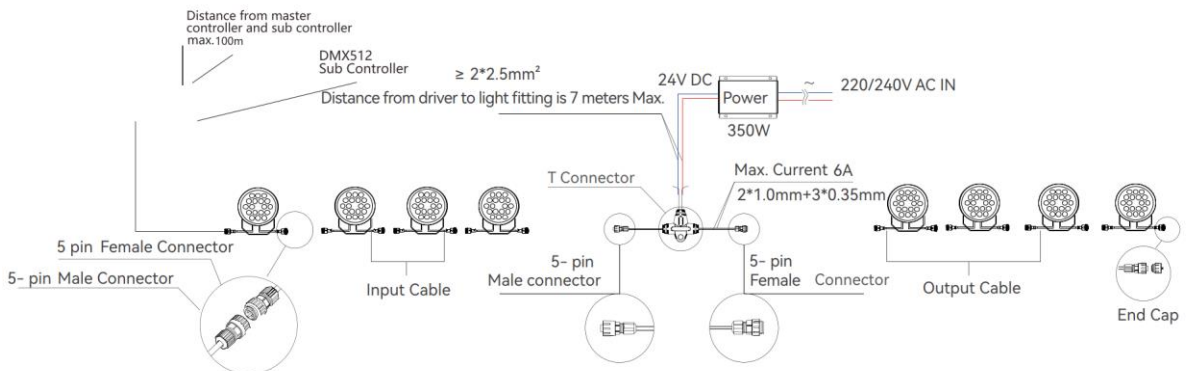
DMX512 (Single CCT,DC24V)



Remarks:

Driver is recommended to be installed in the middle of lights, the lights are on two sides, total length of each side is 10m Max. and total wattage of each side shall be less than 140W

DMX512 (Single CCT,DC24V)



Remarks:

Driver is recommended to be installed in the middle of lights, the lights are on two sides, total length of each side is 10m Max. and total wattage of each side shall be less than 140W

FL03

FLOOD LIGHT SPECIFICATIONS



Bracket
Hidden behind the lamp body



Anti-moisture Cable
Eliminate the possibility of moisture entering into the wire



Breathing Valve
Effectively reduce water mist caused by temperature difference between inside and outside

FL03

FLOOD LIGHT SPECIFICATIONS



- Mounting bracket is marked with engraved scales, ensuring easy adjustment.
- 5mm high transparent tempered glass with high strength and good light transmittance.
- The light distribution is accurate and uniform without spill light, cross louver is optional to achieve anti-glare effect.
- Different installation accessories for options can be installed on the floor, pole.



Bracket

Spike

Hoop
(customized)