

PL04-DIRECT

PENDANT LINEAR LIGHT SPECIFICATIONS



Job Information

Project Name	
Type	
Location	
Quantity	
Date	

DESCRIPTION

PL04 is a louvered pendant linear fixture engineered for direct illumination—ideal for commercial interiors and workspace environments. Its design balances clean aesthetics with performance, delivering uniform, visually comfortable light in demanding interior settings. The linkable design features micro reflector and anti-glare cover.

PERFORMANCE

MODEL NAME	PL04-DIRECT
POWER CONSUMPTION(±10%)	30W/35W
INPUT VOLTAGE	120-277VAC
LUMINOUS FLUX	3200Lm/3600Lm
EFFICACY	UP TO 100 Lm/W
DIMMING	0-10V/DALI
CCT	3000/3500/4000/6000K
CRI	>80
UGR	<18
POWER FACTOR	≥0.9
MOUNTING	Pendant
COLOR CONSISTENCY SDCM	<3
BEAM ANGLE	80°
FIXTURE COLOR	Silver/White/Black
FIXTURE MATERIAL	6063AL
IP RATING	IP20
APPLICATIONS	Indoor
STORAGE TEMPERATURE	-40°C TO + 80°C(-40°F TO 176°F)
OPERATION TEMPERATURE	-20°C TO + 45°C(-4°F TO 113°F)
CERTIFICATIONS	cETL Listed
WARRANTY	5 Years
LIFE TIME OF LED @TA=25°C	50000 HRS LM80 ANSI/IES

OVERVIEW

- Linkable direct linear light
- Simple, easy and quick installation
- Efficient lighting up to 100 LM/W
- Flexible prismatic diffuser
- UGR<18 provides visual comfort

PL04-DIRECT

PENDANT LINEAR LIGHT SPECIFICATIONS



SPECIFICATIONS

■ OPTICS

80° beam angle, UGR<18
Downward (direct) illumination

■ ELECTRICAL

Voltage: 120-277VAC

■ ENVIRONMENT & CERTIFICATIONS

cETL listed for dry locations

■ WARRANTY

5 years limited warranty

■ MOUNTING

Pendant linkable

■ FINISH

The powder-coated finish ensures a uniform appearance, offering long-term durability and superior aesthetics.

■ HOUSING MATERIAL

Die-cast aluminum housing ensures durability and efficiency, with heat resistance polycarbonate lens.

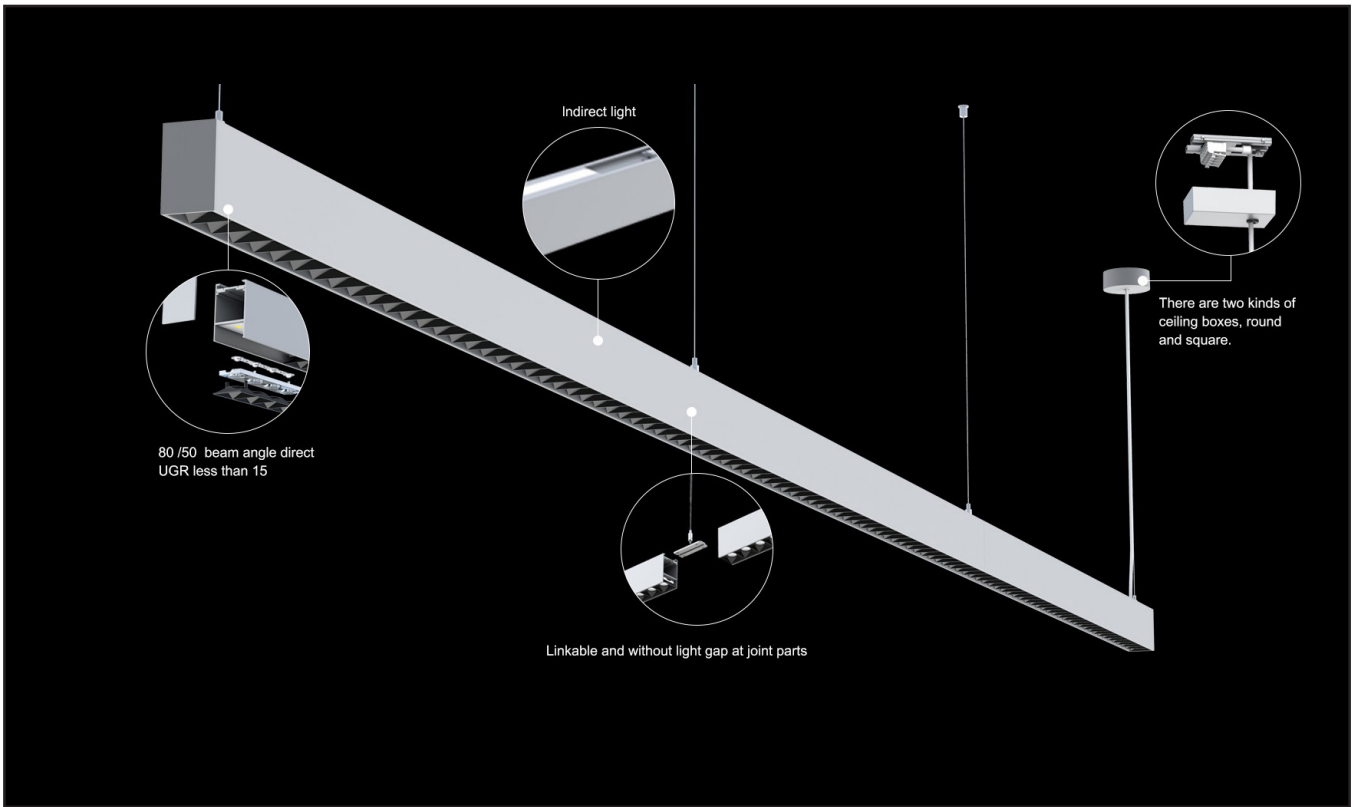
■ LED SYSTEM

CRI With a 80+ color rendering index (CRI), this product delivers outstanding illumination, featuring tight chromatically specifications and a precise color binning process to ensure consistency in CRI and CCT.

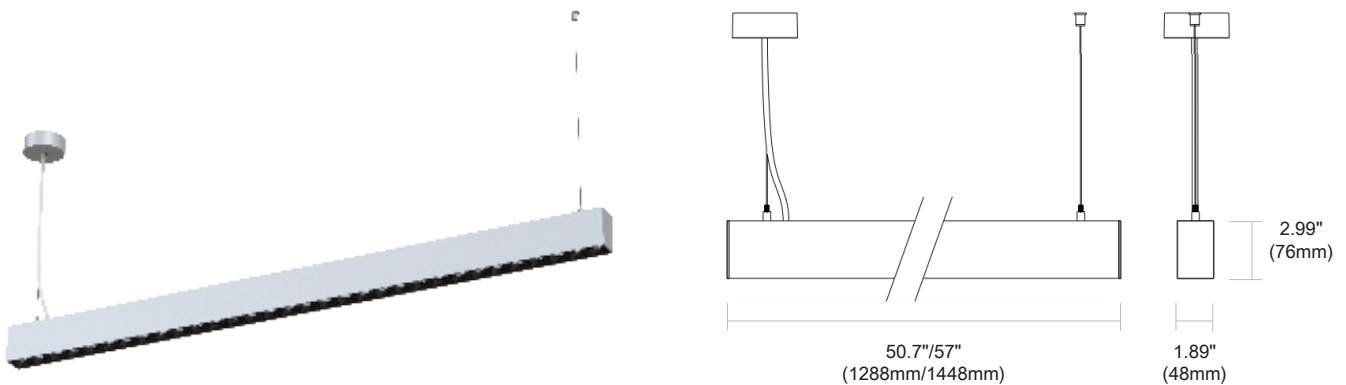
CCT Available in 3000K, 3500k, 4000K, 6000K with excellent color consistency.

PL04-DIRECT

PENDANT LINEAR LIGHT SPECIFICATIONS



PRODUCT MODEL & DIMENSIONS



PL04-DIRECT

PENDANT LINEAR LIGHT SPECIFICATIONS

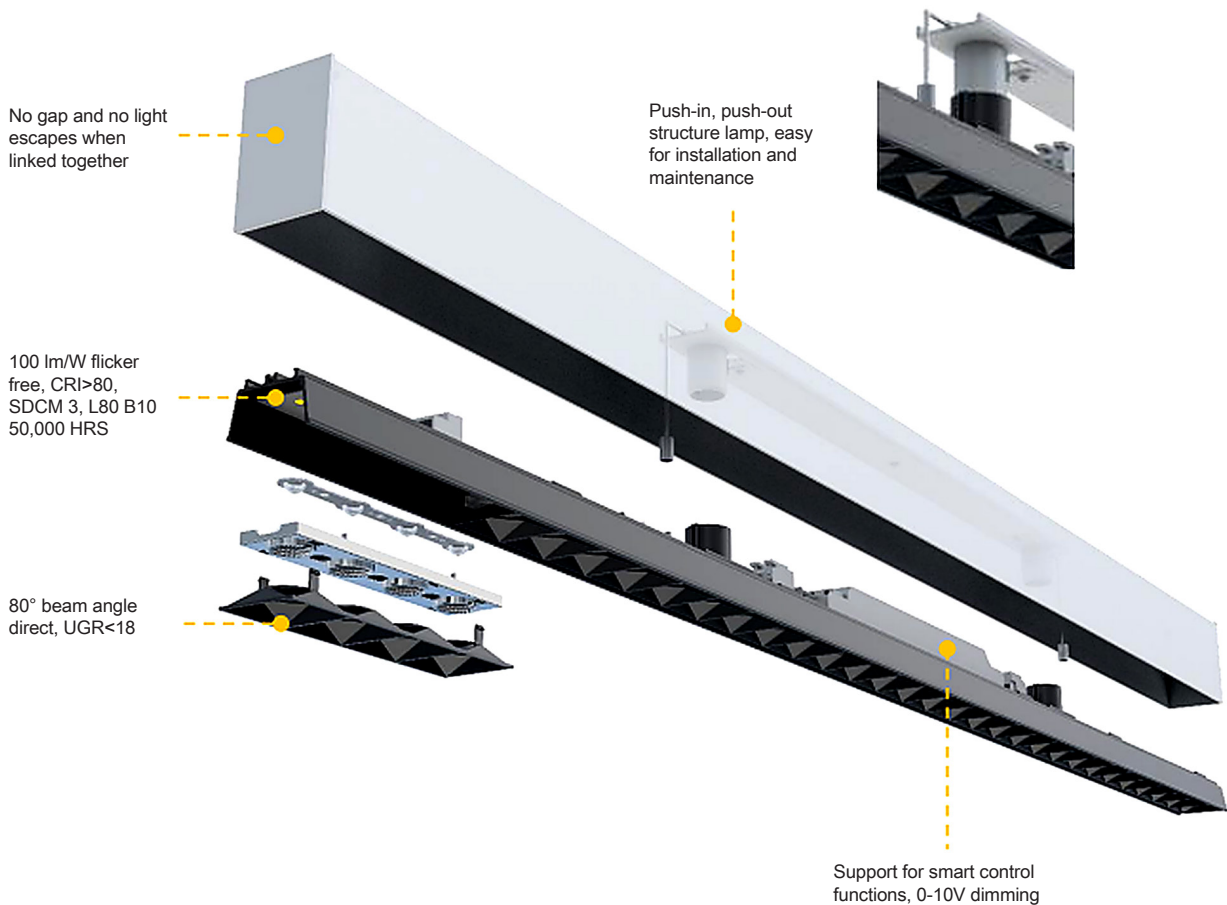
PRODUCT ORDERING GUIDE

EXAMPLE: PL04-D-1200-30W-40K-D-SL-PIR-L-2

PL04-D	-1200	-30W	-40K	-D	-SL	-PIR	-L	-2
Series	Length	Wattage	CCT	Dimming	Finish	Control Option	Linkable Option	Fixture Quantity

SERIES	LENGTH	WATTAGE	CCT	DIMMING	FINISH	CONTROL OPTION	LINKABLE OPTION	FIXTURE QUANTITY
PL04-D	1200: 1288mm(50.7")	30W, 3200Lm	30K: 3000K 35K: 3500K 40K: 4000K 60K: 6000K	V: 0-10V D: DALI N: None	SL: Silver WH: White BK: Black	PIR: PIR Microwave Sensor N: None	S: Single L: Linkable	Number of Fixtures ^①
PL04-D	1500: 1448mm(57")	35W, 3600Lm	30K: 3000K 35K: 3500K 40K: 4000K 60K: 6000K	V: 0-10V D: DALI N: None	SL: Silver WH: White BK: Black	PIR: PIR Microwave Sensor N: None	S: Single L: Linkable	Number of Fixtures ^①

① For linkable configurations, specify the total number of fixtures to be connected in sequence (starting from 2 units) to ensure the appropriate number of connectors is provided. Example: 2, 3, 4, 5...



PL04-DIRECT

PENDANT LINEAR LIGHT SPECIFICATIONS



FINISHING COLOR



Silver

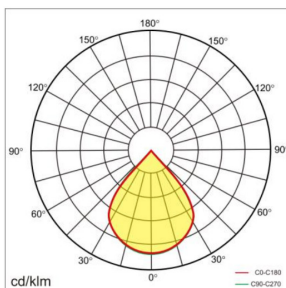


White



Black

Light Distributions



PL04-DIRECT

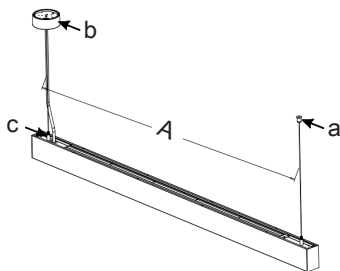
PENDANT LINEAR LIGHT SPECIFICATIONS

INSTALLATION INSTRUCTIONS

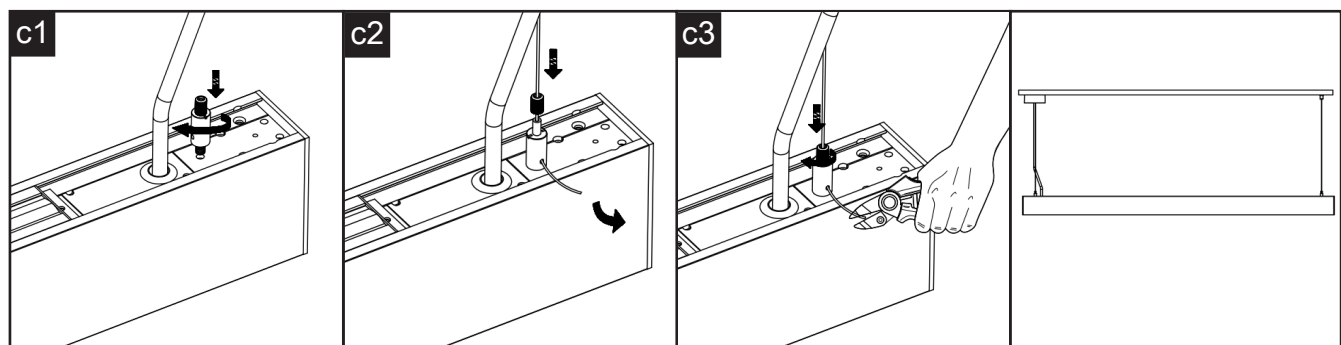
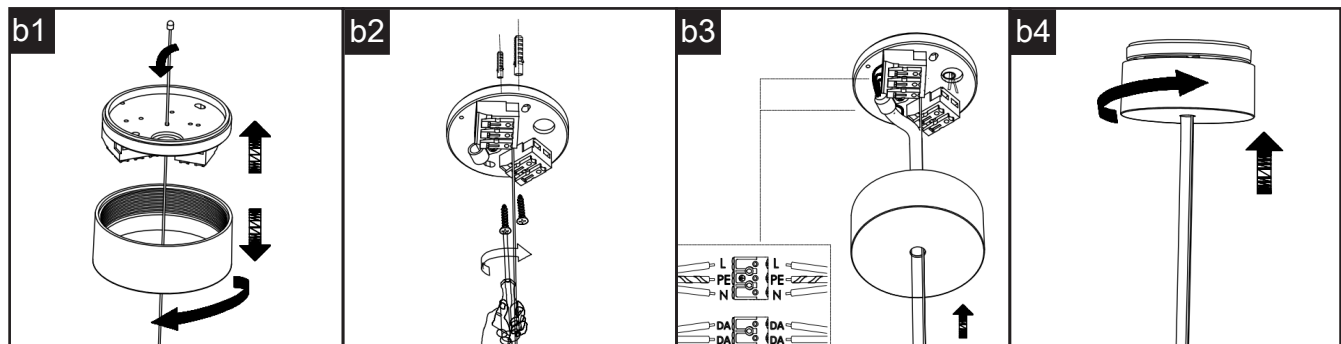
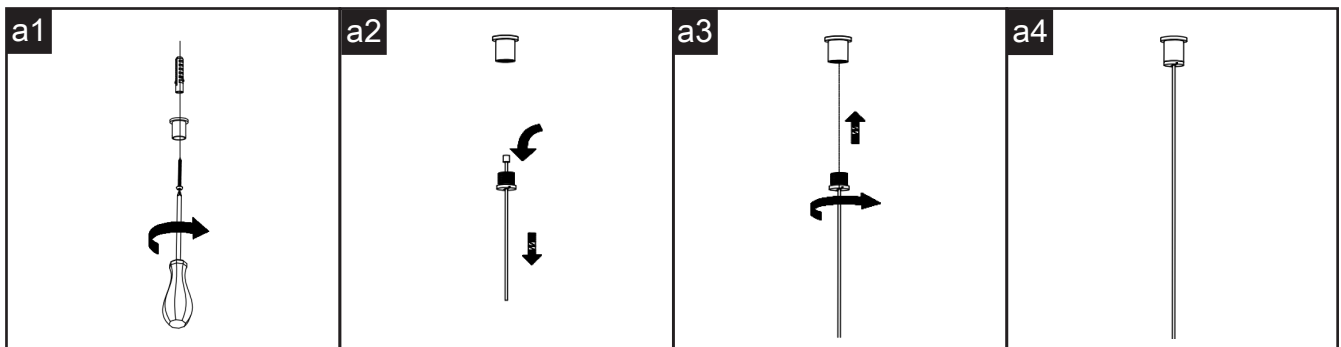
Please read these instructions carefully before commencing installation and retain for future reference. If in doubt, we advise that you consult a qualified electrician to install the product. These products must not be modified. If any modification is made it may invalidate the warranty and may render the product unsafe. All electrical installations must be carried out according to national electrical code & local regulations.

Important Safety Notes

1. Switch off the electricity at the mains before commencing installation (if a fuse box is used) remove the appropriate circuit fuse to avoid accidental switching on of the mains supply.
2. Connect to a 120-277V supply in accordance with relevant electrical standards.
3. Make sure all connections are tight with no loose strands.
4. Ensure fire regulations are not breached when fitting your lights.
5. If you are in any doubt regarding these instructions, consult a qualified electrician.



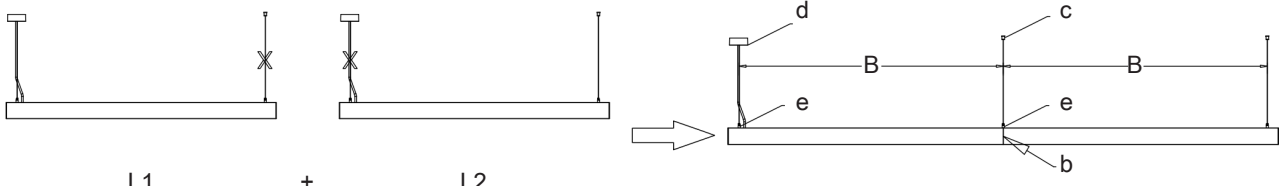
FIXTURE LENGTH	A
1288mm(50.7")	1180mm (46.46")
1448mm(57")	1340mm (52.75")



PL04-DIRECT

PENDANT LINEAR LIGHT SPECIFICATIONS

INSTALLATION INSTRUCTIONS



L1

+

L2

FIXTURE LENGTH	B
1288mm(50.7")	1231mm (48.46")
1448mm(57")	1391mm (54.76")

Friendly reminder: one AC input cable support 10pcs lamp link together

