

WASHER-SENIOR

SENIOR MAGNETIC TRACK HEAD SPECIFICATIONS



Job Information	
Project Name	
Type	
Location	
Quantity	
Date	

OVERVIEW

- Wall washer lighting
- Plug and play arrangement in magnetic track
- 60W to 200W noise-free and flicker-free drivers, TRIAC/120V, DALI, or 1-10V/100-277V
- True color – 90 CRI, produces outstanding illumination

DESCRIPTION

Washer series magnetic track heads have diffused beams and are for wall washing purposes. They are available for Senior magnetic tracks only. Just plug and play where needed. External dimming interface available. The magnetic base enables easy installation and repositioning along the track without the need for tools or screws, allowing for simple adjustments to the lighting setup as needed. The 90 CRI option produces outstanding illumination with tight chromaticity specification and color binning processes, ensuring CRI and CCT consistency. This magnetic track head can be used in various settings, including residential, commercial, and office spaces.

PERFORMANCE

MODEL NAME	WASHER-13	WASHER-27
POWER CONSUMPTION(±10%)	8 W	16 W
INPUT VOLTAGE	24 VDC	
LUMINOUS FLUX (±10%)	380 LM	1055 LM
EFFICACY(4000K RA80)	48 LM/W	66 LM/W
DIMMING	TRIAC/0-10V/DALI	
CCT	2700K/3000K/3500K/4000K/5000K	
CRI	80/90	
BEAM ANGLE	WALL WASHER	
FINISH	POWDER COATING	
FIXTURE COLOR	SANDY BLACK/SANDY WHITE	
IP RATING	IP20	
OPERATING TEMPERATURE	-30°C TO + 50°C(-22°F TO 122°F)	
LIFESPAN OF LED @TA=25°C	L80 50000 HRS	
WARRANTY	3 YEARS	
APPLICATIONS	INDOORS	

WASHER-SENIOR

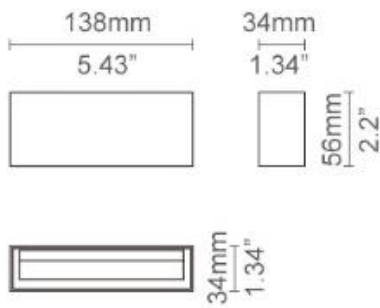
SENIOR MAGNETIC TRACK HEAD SPECIFICATIONS

PRODUCT ORDERING GUIDE

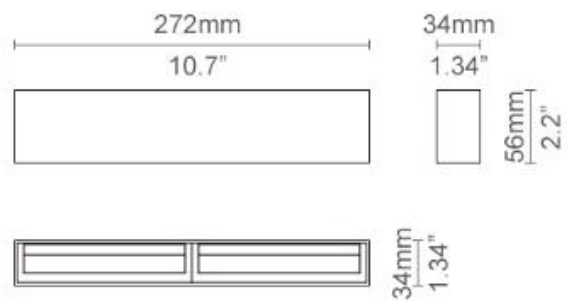
EXAMPLE: WASHER-27-2700-90-V-B

SERIES	CCT	CRI	DIMMING	FINISH
WASHER-13	2700	80	T: TRIAC	W: SANDY WHITE
WASHER-27	3000	90	V: 0-10V	B: SANDY BLACK
	3500		D: DALI	
	4000			
	5000			

WASHER-13 DIMENSIONS



WASHER-27 DIMENSIONS



FEATURES

► Optics

Wall washer distribution ideal for wall illumination.

► Electrical

Voltage	24 VDC
THD	<20%
Power Factor	>0.9

► Environment & Certifications

cETL listed for dry locations

► Warranty

3 years limited warranty

► Chip

Powered by Osram high efficiency COB LED chip.

► Finish

The powder-coated finish ensures a uniform appearance, offering long-term durability and superior aesthetics.

► Housing Material

Die-cast aluminum housing ensures durability and efficiency, with heat resistance polycarbonate lens.

► LED System

CRI With a choice of 80 or 90 color rendering index (CRI), this product delivers outstanding illumination, featuring tight chromatically specifications and a precise color binning process to ensure consistency in CRI and CCT.

CCT Available in 2700K, 3000K, 3500K, 4000K, 5000K, with excellent color consistency.

► Mounting

Magnetic track installation allows easy plug and play rearrangement.

WASHER-SENIOR

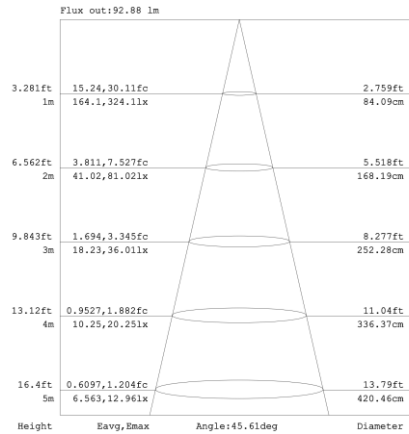
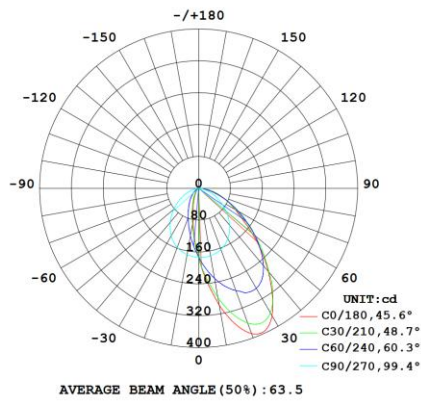
SENIOR MAGNETIC TRACK HEAD SPECIFICATIONS

PHOTOMETRIC DIAGRAM, 3000K, 90Ra

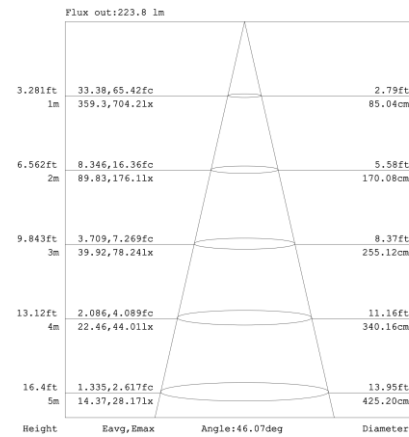
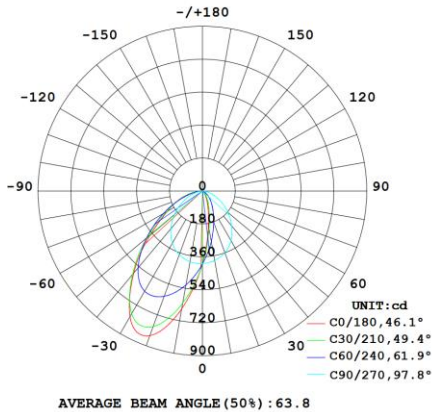
Polar Candela Distribution

Beam Details

WASHER-13



WASHER-27



WASHER-SENIOR

SENIOR MAGNETIC TRACK HEAD SPECIFICATIONS

