

PM-BL10-BP52703

LED BOLLARD LIGHT



Job Information

Project Name	
Type	
Location	
Quantity	
Date	

DESCRIPTION

The BP52701 blends the timeless design of traditional bollard lighting with the performance and efficiency of modern LED technology. Proudly made in Canada, this fixture is ideal for new construction, remodeling, or retrofitting existing installations. It offers a seamless upgrade without compromising on classic aesthetics. ETL approved and built to last, the BP52701 comes with a 5-year warranty, ensuring reliability and peace of mind for a wide range of outdoor applications.

OVERVIEW

- Excellent corrosion resistance
- Choice of integrated LED light or E26 socket

PERFORMANCE

MODEL NO.	PM-BL10-BP52703	
POWER CONSUMPTION(±10%)	28 W	E26 SOCKET MAX 60W (60INC)
INPUT VOLTAGE	120-277VAC/120-347VAC	120-277VAC/120-347VAC
LUMINOUS FLUX (±10%)	3500 LM	N/A
EFFICACY(4000K RA80)	125 LM/W	N/A
CCT	3000K/3500/4000K	N/A
CRI	>80	N/A
MATERIAL	ALUMINUM BODY, POLY OPAL LENS	
FINISH	POWDER COATING	
FIXTURE COLOR	BLACK/CUSTOM COLOR BASED ON ORDER	
PRODUCT DIMENSION	CUSTOM HEIGHT 18" TO 42"	
PRODUCT ACCESSORIES	PHOTOCELL, SURGE PROTECTOR	
ENVIRONMENT	OUTDOOR RATED	
WORKING TEMPERATURE	-30°C TO +45°C (-22F TO +113F)	
LIFESPAN OF LED @TA=25°C	50000 HOURS	
WARRANTY	5 YEARS	
APPLICATION	OUTDOOR APPLICATION SUCH AS PATHWAYS, PARKS, ETC	

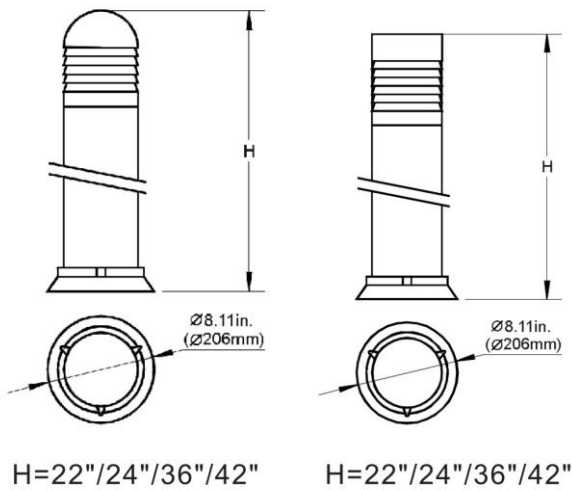
PM-BL10-BP52703

LED BOLLARD LIGHT

PRODUCT ORDERING GUIDE

EXAMPLE: PM-BL10-UNV277-28-42-3000-N-B-PC

SERIES	VOLTAGE	WATTAGE	HEIGHT	CCT	DIMMING	FINISH	OPTIONS
PM-BL10	UNV277:120-277VAC UNV347:120-347VAC	28: 28W INTEGRATED E26: E26 SOCKET	XX: 18 - 42 INCHES	3000 3500 4000	V: 1-10V N: NONE	B: BLACK	PC: PHOTCELL SP: SURGE PROTECTOR PL: GFCI PLUG 005: FLAT TOP CLEAR ACRYLIC LENS



FEATURES

► Optics

Low glare and dark-sky friendly.

► Electrical

Voltage: 120/277VAC/120-347VAC

► Environment

IP65, suitable for wet locations

► Warranty

5 years limited warranty

► Finish

The powder-coated finish ensures a uniform appearance, offering long-term durability and superior aesthetics

► Housing Material

Die-cast aluminum housing ensures durability and efficiency with anticorrosion protection for harsh environments.

► LED System

CRI With a 80+ color rendering index (CRI), this product delivers adequate illumination.

CCT 3000K, 3500K, or 4000K with excellent color consistency.

► Control

External photocell available.

► Accessories

Photocell and surge protector are available on demand.