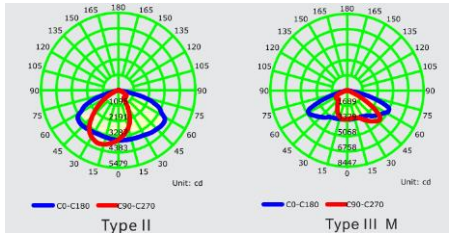


PT01

POST MOUNTED LED LIGHT



DISTRIBUTION



MOUNTING TYPES



ORDERING INFORMATION

EXAMPLE: PR-PT01-A-B-3000-80-T

SERIES	MOUNTING	FIXTURE COLOR	CCT(K°)	CRI	DIMMING
PR-PT01	A	B: Black	2700	70	D: Dali
	B	G: Grey	3000	80	T: Triac
	C		3500		O: None
	D		4000		
	E		5000		
				5700	
			6500		

SPECIFICATIONS

Model No.	PT-01
Power Consumption(±10%)	20W-165W
Input Voltage	120VAC
Dimming	Yes
Luminous Flux (±10%)	2600-23100
Efficacy(4000K Ra70)	165lm/W
Correlated Color Temperature	2700K/3000K/3500K/4000K/5000K/5700K/6500K
Color Rendering Index	70/80
Mounting Option	Post Mount
Material	High pressure die-casting aluminium housing, PMMA optics
Finish	Powder Coating
Fixture Color	Black/Grey
IK Rating	IK09
IP Rating	IP66
Operating Temperature	-40°C to +55°C
Life Time of LED @Ta=25°C	50000 Hours
Warranty	5 Years
Application	Outdoor, landscape, Parks, Roads
Accessories	Optional photocell

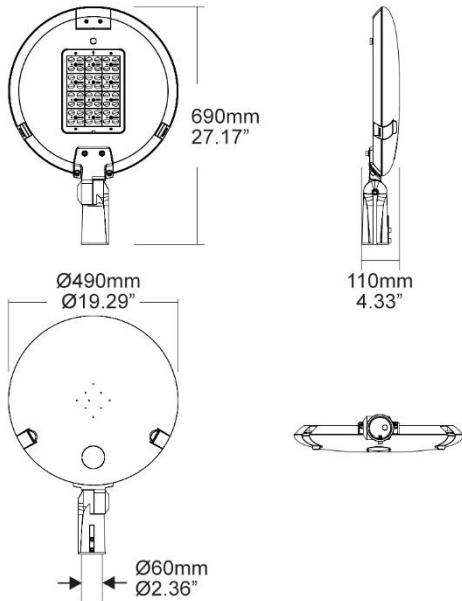
PT01

TYPE A: POST MOUNTED LED LIGHT



POWER (W)	LED CHIPS QTY (3030)	LUMINOUS FLUX (LM)	LED CHIPS QTY (5050)	LUMINOUS FLUX (LM)	N.W (kg)	G.W (kg)	PACKAGING SIZE (MM)
20	48	>2600	16	>2800	7.9	9.3	630X530X150
40	48	>5000	16	>5600	8	9.4	630X530X150
50	72	>6500	24	>7000	8	9.4	630X530X150
60	72	>7800	24	>8400	8	9.4	630X530X150
70	108	>9100	36	>9800	8.1	9.5	630X530X150
80	108	>10400	36	>11200	8.1	9.5	630X530X150
90	108	>11250	36	>12600	8.1	9.5	630X530X150
100	108	>12500	36	>14000	8.1	9.5	630X530X150
120	144	>15600	48	>16800	8.2	9.6	630X530X150
150	192	>19500	72	>21000	8.2	9.6	630X530X150

DIMENSIONS



APPLICATIONS



INSTALLATIONS



1. Install the lamp holder

2. Install the luminaire on the pole

3. The installation is complete

Horizontal/ Vertical Installations

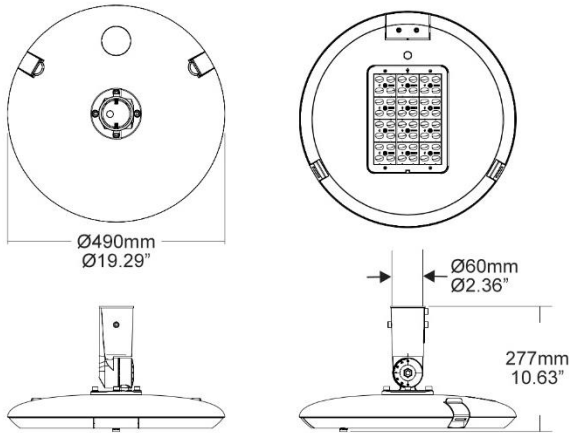
PT01

TYPE B: POST MOUNTED LED LIGHT



POWER (W)	LED CHIPS QTY (3030)	LUMINOUS FLUX (LM)	LED CHIPS QTY (5050)	LUMINOUS FLUX (LM)	N.W (kg)	G.W (kg)	PACKAGING SIZE (MM)
20	48	>2600	16	>2800	7.9	9.3	630X530X150
40	48	>5000	16	>5600	8	9.4	630X530X150
50	72	>6500	24	>7000	8	9.4	630X530X150
60	72	>7800	24	>8400	8	9.4	630X530X150
70	108	>9100	36	>9800	8.1	9.5	630X530X150
80	108	>10400	36	>11200	8.1	9.5	630X530X150
90	108	>11250	36	>12600	8.1	9.5	630X530X150
100	108	>12500	36	>14000	8.1	9.5	630X530X150
120	144	>15600	48	>16800	8.2	9.6	630X530X150
150	192	>19500	72	>21000	8.2	9.6	630X530X150

DIMENSIONS



APPLICATIONS



INSTALLATIONS



1. Install the lamp holder



2. Install the luminaire on the pole



3. The installation is complete



4. Lighting angle is adjustable

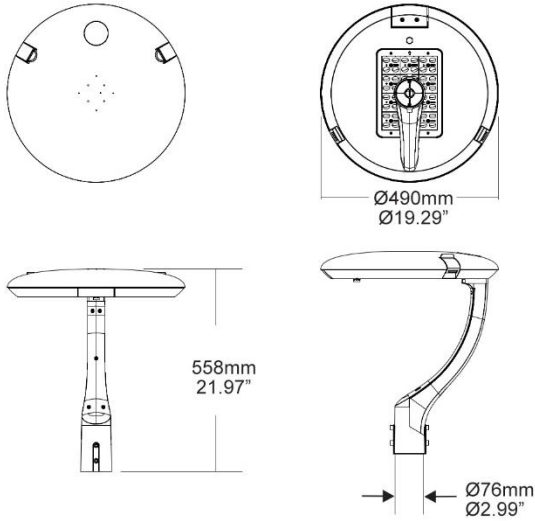
PT01

TYPE C: POST MOUNTED LED LIGHT



POWER (W)	LED CHIPS QTY (3030)	LUMINOUS FLUX (LM)	LED CHIPS QTY (5050)	LUMINOUS FLUX (LM)	N.W (kg)	G.W (kg)	PACKAGING SIZE (MM)
20	48	>2600	16	>2800	8.2	9.7	630X630X150
30	48	>3900	16	>4200	8.2	9.7	630X630X150
40	48	>5000	16	>5600	8.3	9.8	630X630X150
50	72	>6500	24	>7000	8.3	9.8	630X630X150
60	72	>7800	24	>8400	8.3	9.8	630X630X150
70	108	>9100	36	>9800	8.4	9.9	630X630X150
80	108	>10400	36	>11200	8.4	9.9	630X630X150
90	108	>11250	36	>12600	8.4	9.9	630X630X150
100	108	>12500	36	>14000	8.4	9.9	630X630X150
120	144	>15600	48	>16800	8.5	10	630X630X150
150	192	>19500	72	>21000	8.5	10	630X630X150

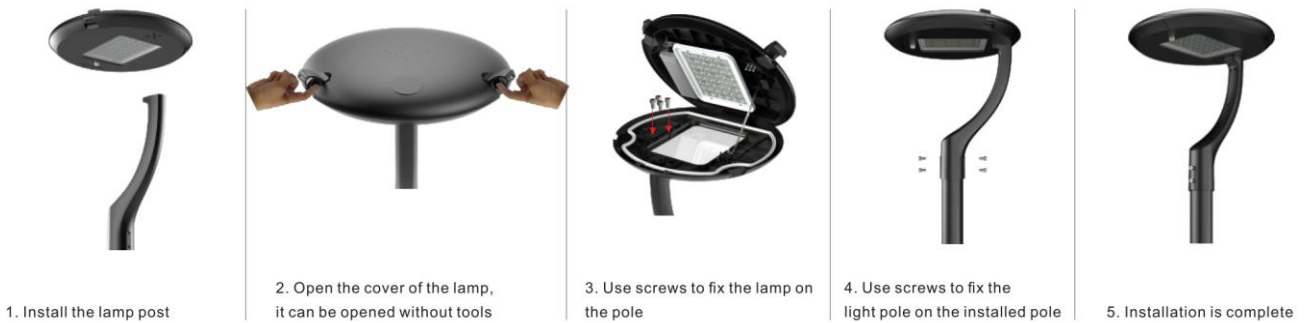
DIMENSIONS



APPLICATIONS



INSTALLATIONS



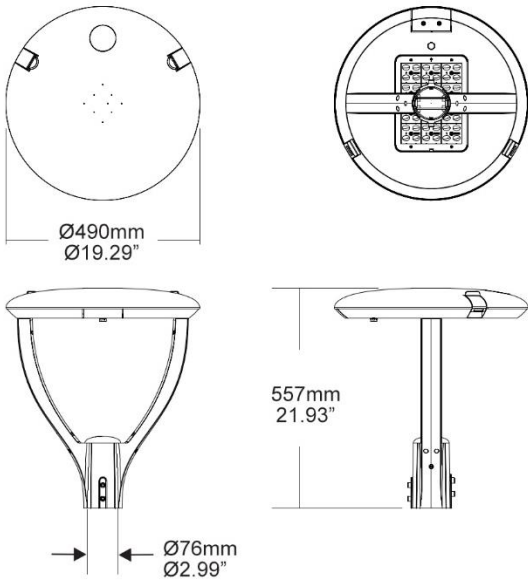
PT01

TYPE D: POST MOUNTED LED LIGHT



POWER (W)	LED CHIPS QTY (3030)	LUMINOUS FLUX (LM)	LED CHIPS QTY (5050)	LUMINOUS FLUX (LM)	N.W (kg)	G.W (kg)	PACKAGING SIZE (MM)
20	48	>2600	16	>2800	9.2	10.7	705X630X150
30	48	>3900	16	>4200	9.2	10.7	705X630X150
40	48	>5000	16	>5600	9.3	10.8	705X630X150
50	72	>6500	24	>7000	9.3	10.8	705X630X150
60	72	>7800	24	>8400	9.3	10.8	705X630X150
70	108	>9100	36	>9800	9.4	10.9	705X630X150
80	108	>10400	36	>11200	9.4	10.9	705X630X150
90	108	>11250	36	>12600	9.4	10.9	705X630X150
100	108	>12500	36	>14000	9.4	10.9	705X630X150
120	144	>15600	48	>16800	9.5	11	705X630X150
150	192	>19500	72	>21000	9.5	11	705X630X150

DIMENSIONS



APPLICATIONS



INSTALLATIONS



1. Install the lamp post



2. Open the cover of the lamp, it can be opened without tools



3. Use screws to fix the lamp on the pole



4. Use screws to fix the light pole on the installed pole



5. Installation is complete

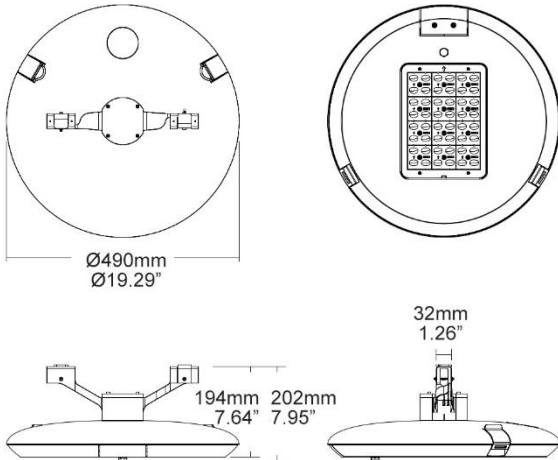
PT01

TYPE E: CATENARY LED LIGHT



POWER (W)	LED CHIPS QTY (3030)	LUMINOUS FLUX (LM)	LED CHIPS QTY (5050)	LUMINOUS FLUX (LM)	N.W (kg)	G.W (kg)	PACKAGING SIZE (MM)
20	48	>2600	16	>2800	7.9	9.3	530X530X240
30	48	>3900	16	>4200	7.9	9.3	530X530X240
40	48	>5000	16	>5600	8	9.4	530X530X240
50	72	>6500	24	>7000	8	9.4	530X530X240
60	72	>7800	24	>8400	8	9.4	530X530X240
70	108	>9100	36	>9800	8.1	9.5	530X530X240
80	108	>10400	36	>11200	8.1	9.5	530X530X240
90	108	>11250	36	>12600	8.1	9.5	530X530X240
100	108	>12500	36	>14000	8.1	9.5	530X530X240
120	144	>15600	48	>16800	8.2	9.6	530X530X240
150	192	>19500	72	>21000	8.2	9.6	530X530X240

DIMENSIONS



APPLICATIONS



INSTALLATIONS

