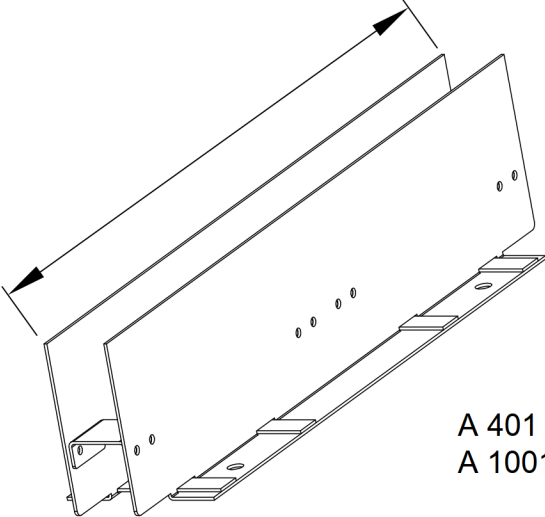


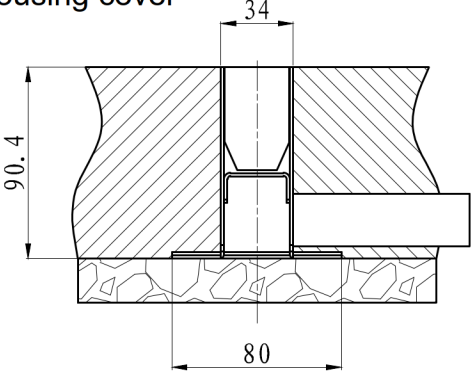
INSTALLATION MANUAL

①

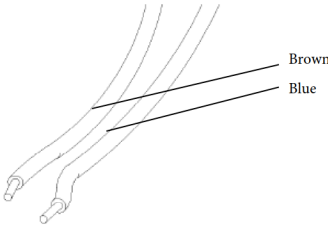


②

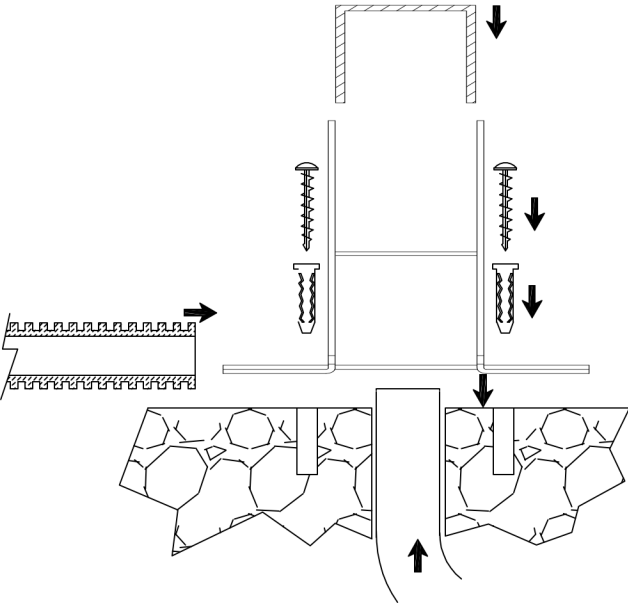
housing cover



CABLE WIRING MARKINGS



③



④

