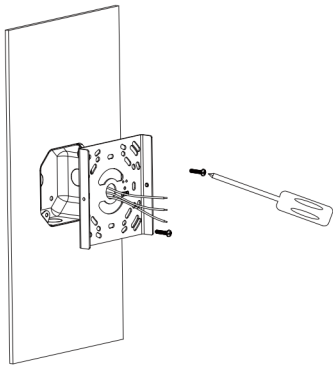
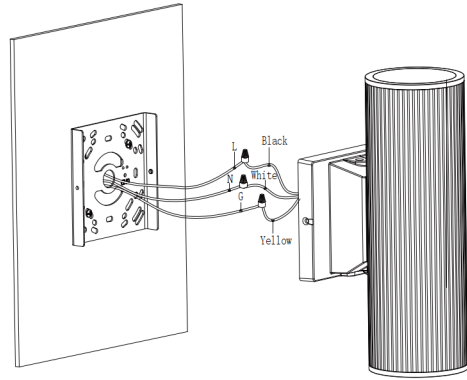


PRODUCT INSTALLATION

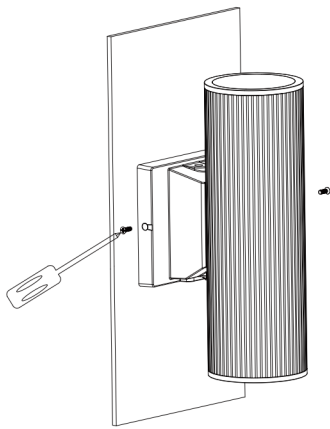
1. Please turn off the power before installation.
Pass the power cord through the fixing plate and fasten the fixing plate to the junction box with screws.



2. As shown in the figure, connect the power cord through the threaded terminals.



3. Fix the lamp on the fixing plate.



4. After the lamp is fixed, the gap between the lamp and the wall shall be sealed with silica gel (not distributed with silica gel).

